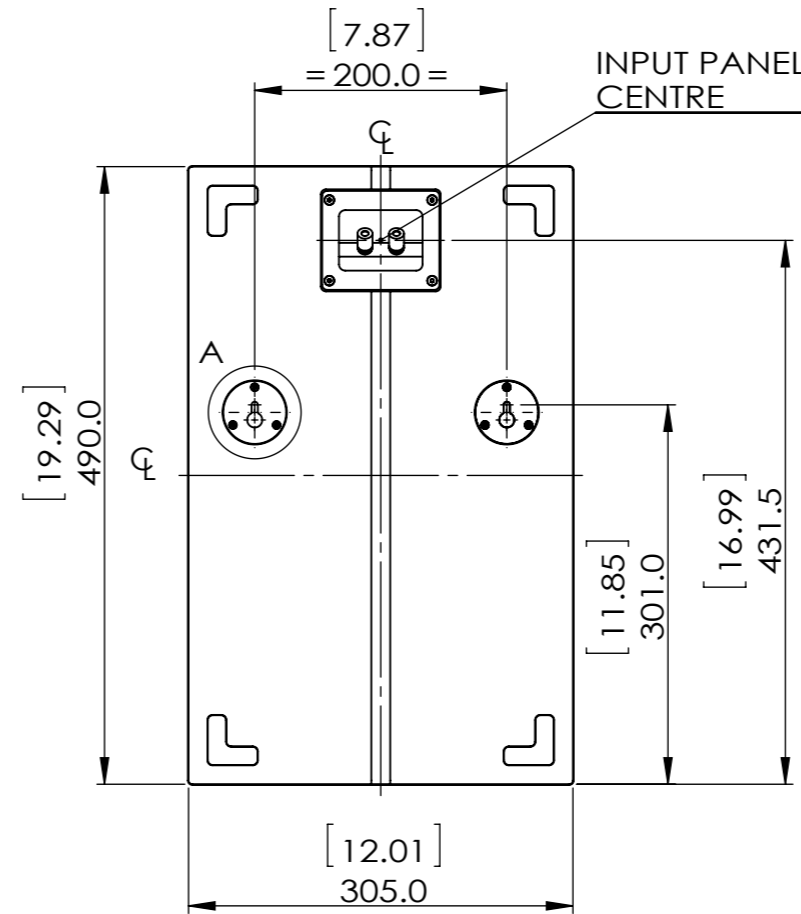
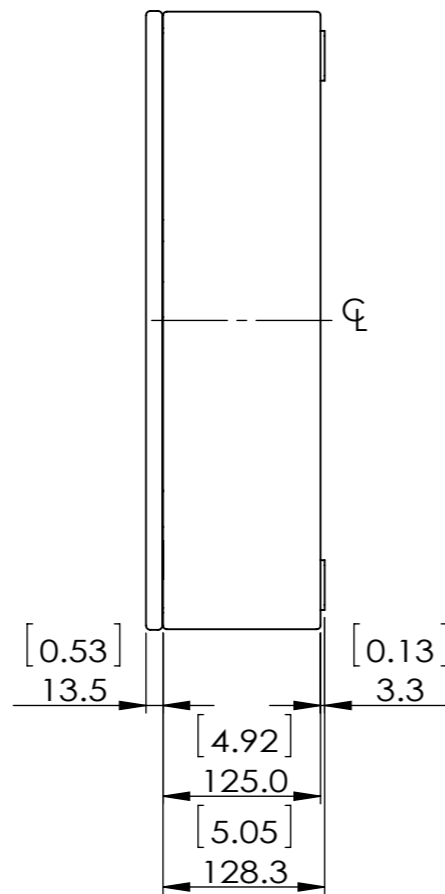
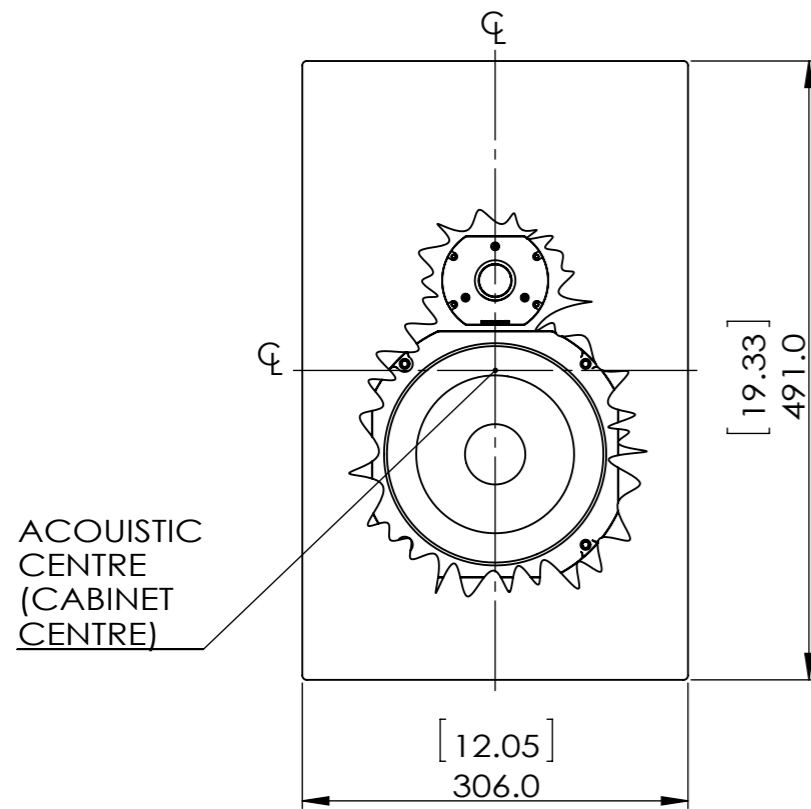
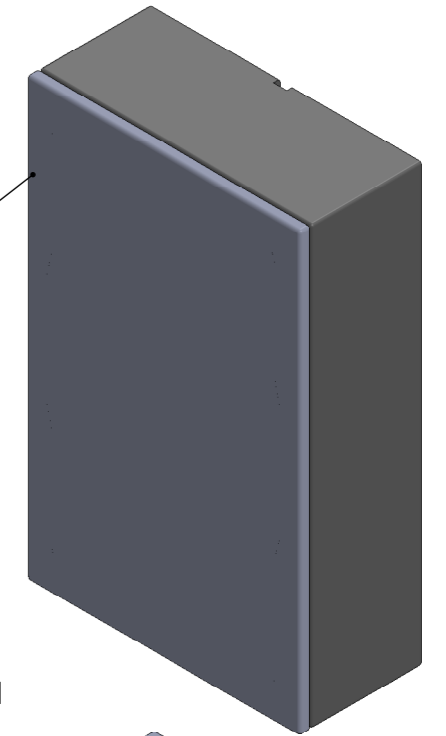


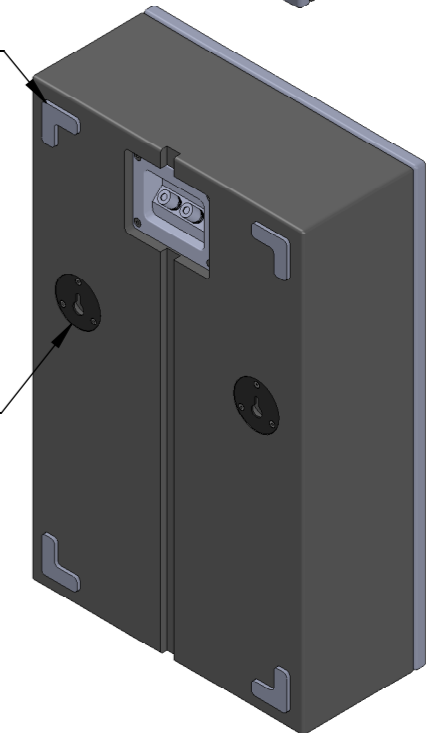
DETAIL A  
SCALE 1 : 3

FABRIC WRAPPED GRILL.



ANTI-VIBRATION FOAM PADS x4.

'KEYHOLE' MOUNTING PLATES x2.



WEIGHT: 11 KG / 24.2LBS  
COLOUR OPTIONS: BLACK or WHITE SATIN PAINT  
DIMENSIONS IN MM AND [INCHES]

- REMOVE ALL BURRS & SHARP EDGES (BREAK ALL EDGES - MAX 0.2 RAD)
- PLEASE PACK & HANDLE TO AVOID ANY DENTS, BRUISING & SCRATCHES
- THIS IS A COSMETIC PART
- THERE MUST BE NO VISIBLE MACHINING MARKS

REV	DATE	DRAWN	CHK'D	APPV'D	MODIFICATION
*	00-00-00	***	***	***	***
A	08-07-2017	BSL	***	***	NEW DRAWING - SOLIDWORKS



LOUDSPEAKER TECHNOLOGY LTD  
GYPSY LANE  
ASTON DOWN  
STROUD  
GLOUCESTERSHIRE GL6 8HR  
TELEPHONE: 01285 760561  
www.atc.gb.net

MATERIAL:

FINISH: SATIN BLACK or SATIN WHITE PAINT

All copyright, design rights and any other intellectual property rights in the contents of, or in any attachments to, this form, to include any plans, design, photographs, specifications and other materials, remain the exclusive property of Loudspeaker Technology Ltd, are strictly private and confidential, and may not be reproduced or transmitted, in any form or by any means, or stored in any system, without the prior written consent of Loudspeaker Technology Ltd and, if requested, must be immediately returned to Loudspeaker Technology Ltd.

©LOUDSPEAKER TECHNOLOGY LTD 2012  
ALL RIGHTS RESERVED.

This form and any attachments to it, may not be reproduced or transmitted, in any form or by any means, or stored in any system, without the prior written consent of Loudspeaker Technology Ltd, and if requested, must be immediately returned to Loudspeaker Technology Ltd.

PROJECT HOME THEATRE SERIES (HTS) SPEAKERS

DWG NO. HTS11 ASSEMBLY - CUSTOMER REV A

TITLE HTS11 ASSEMBLY - CUSTOMER

TOLERANCES UNLESS OTHERWISE STATED			WEIGHT	
MACHINED DIMENSIONS	SHEET METAL DIMENSIONS		SCALE	PAPER
ONE DECIMAL PLACE : +/- 0.25MM	INTERNAL	EXTERNAL		
TWO DECIMAL PLACES : +/- 0.10MM	UNDER 15 : +0.20	-0.20	1:6	A3
ANGULAR : +/- 0.50DEG	15 TO 100 : +0.35	-0.35		
	OVER 100 : +0.50	-0.50		

THIRD ANGLE PROJECTION

ALL DIMENSIONS IN MILLIMETRES U.O.S. - REMOVE SHARP EDGES SHEET 1 OF 1