



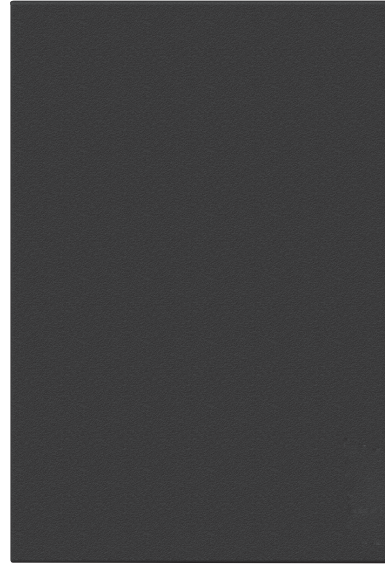
# SoundFrame i-W

Installation Information

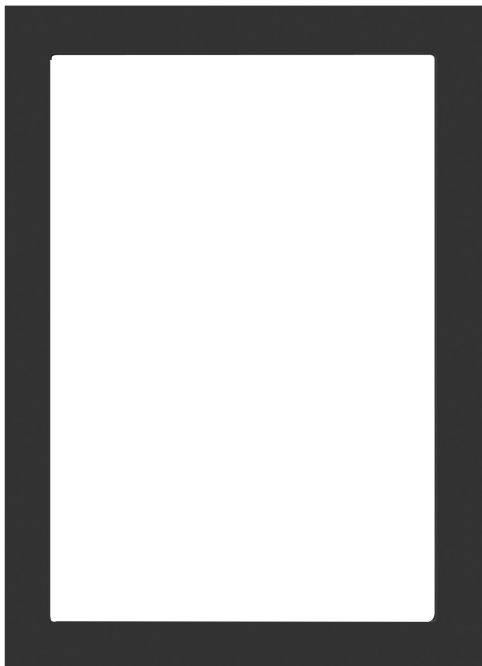
In the box.



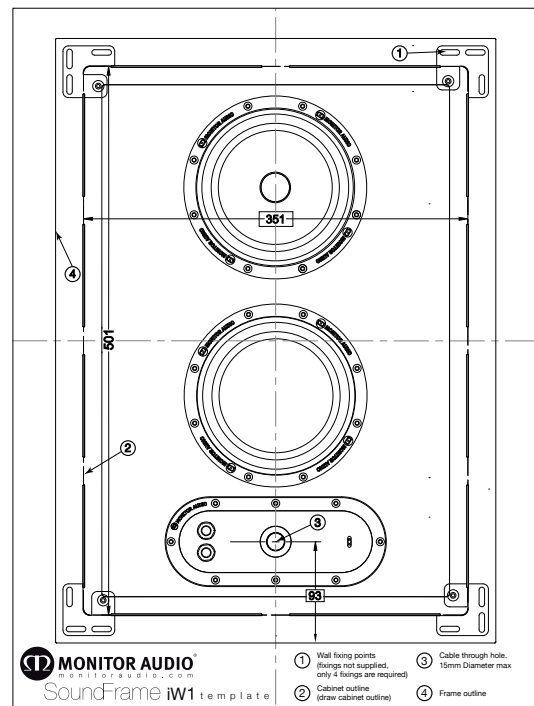
A - SoundFrame Speaker



B - Interchangeable Grille



C - Frame

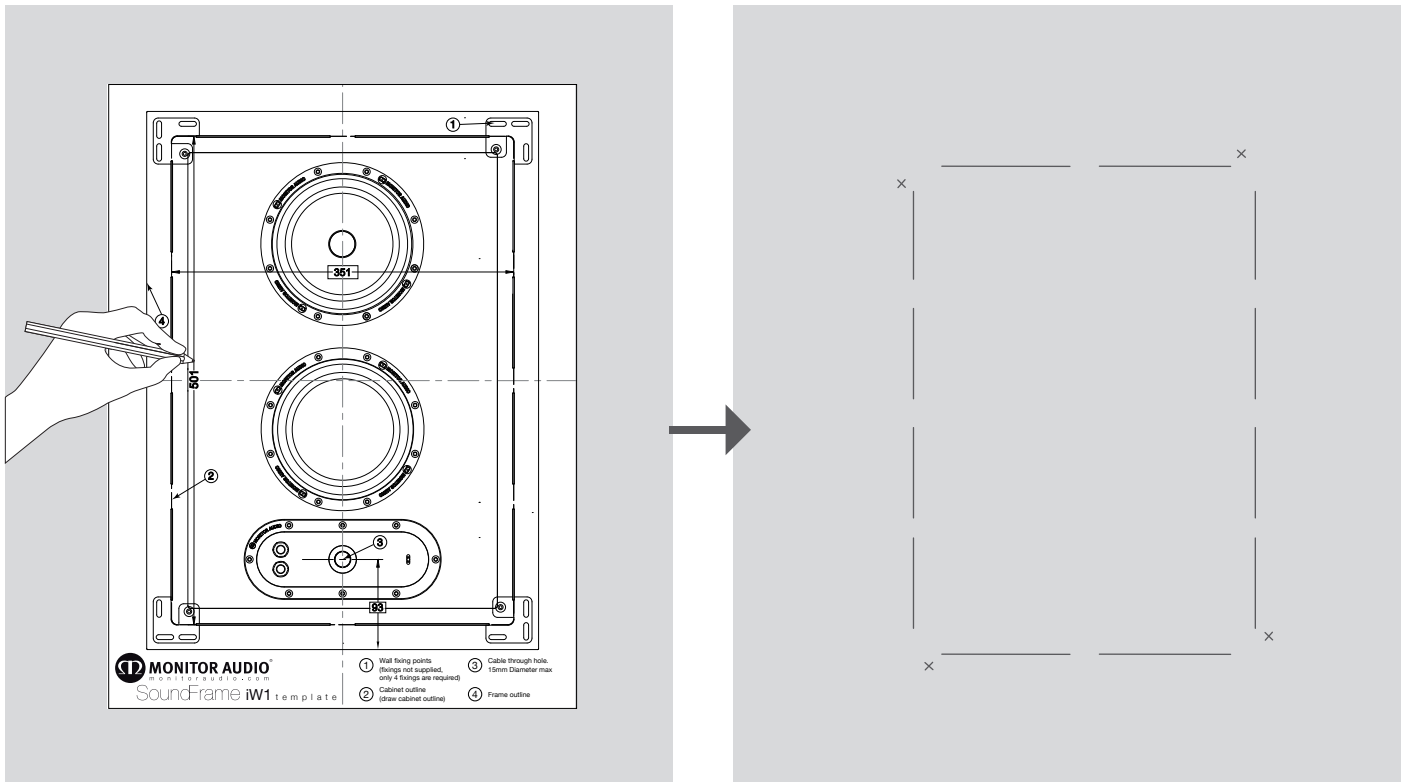


D - Installation Template

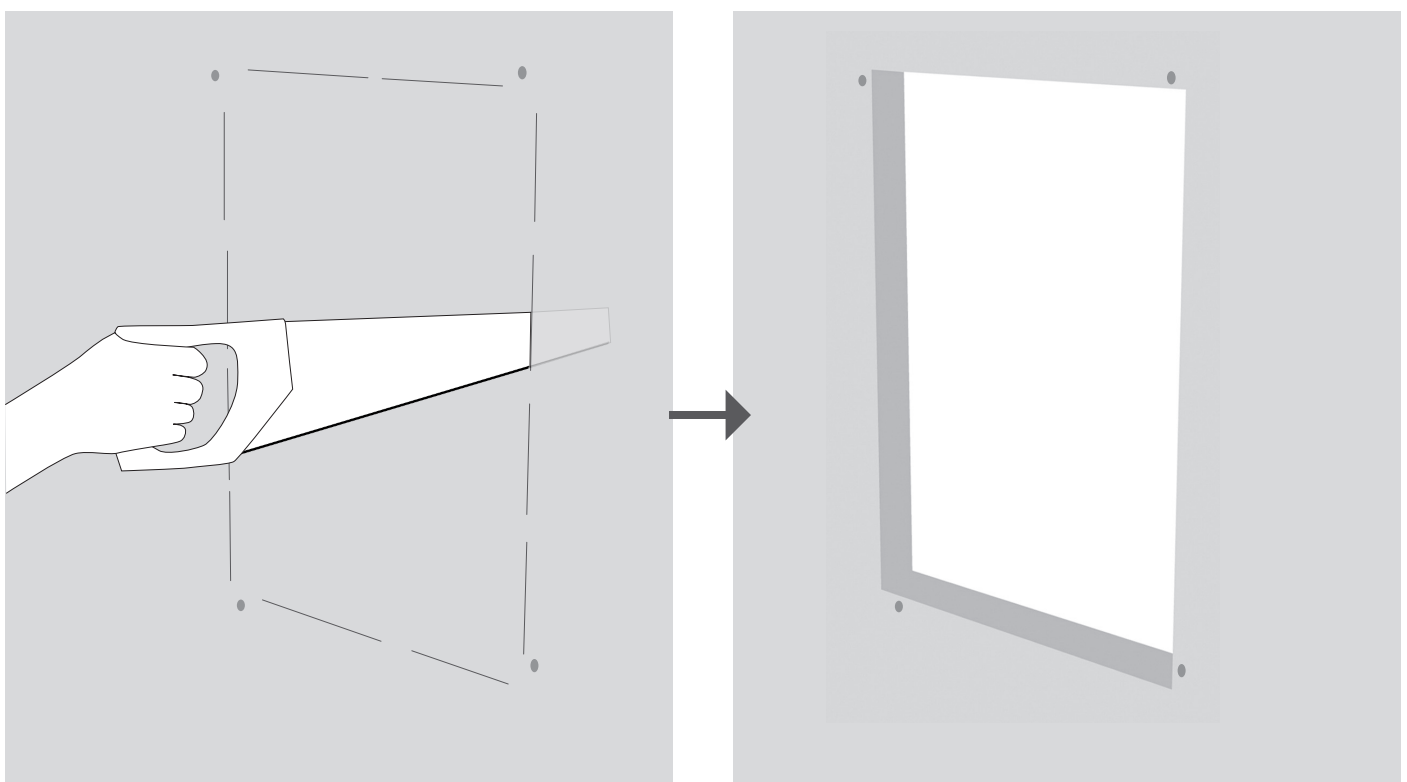


E - Grille badge

# 1 Using template, mark wall cut-out and fixing points.

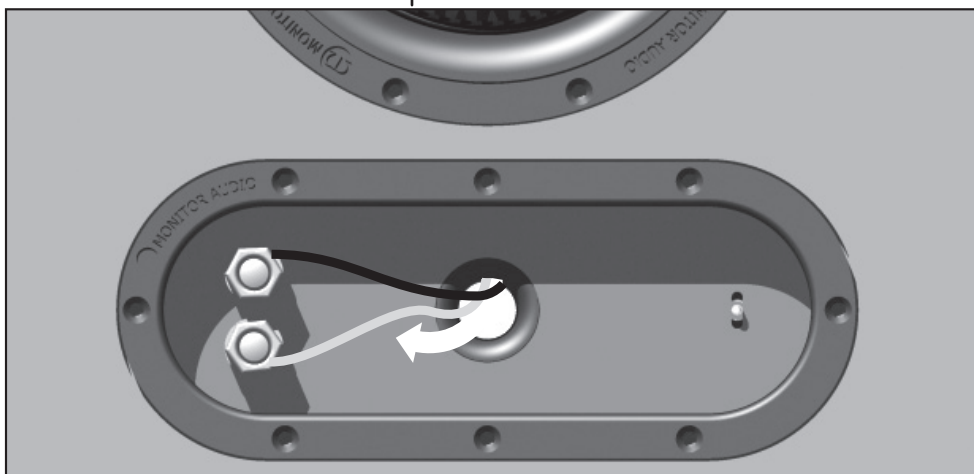
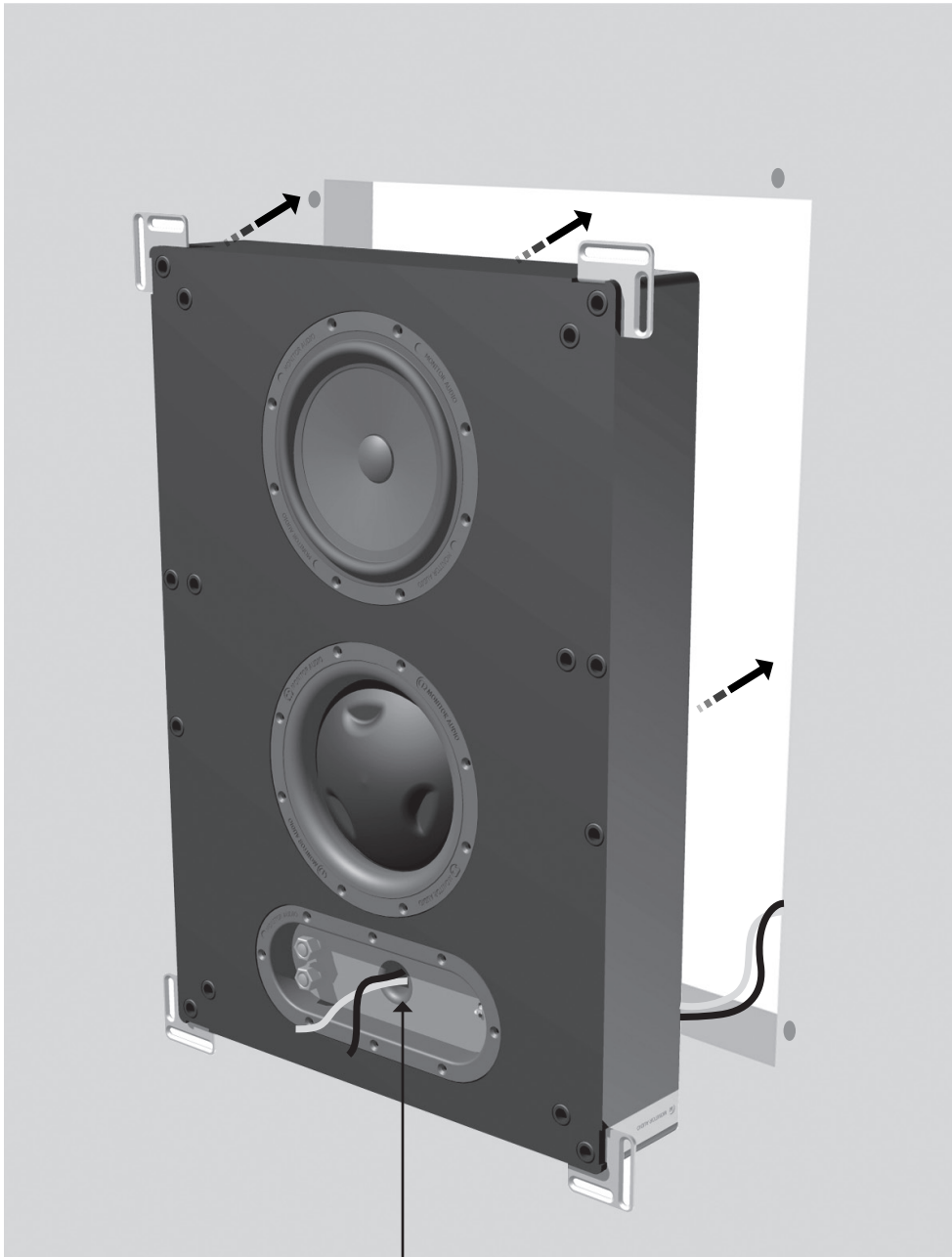


# 2 Drill fixing points and remove section of wall.

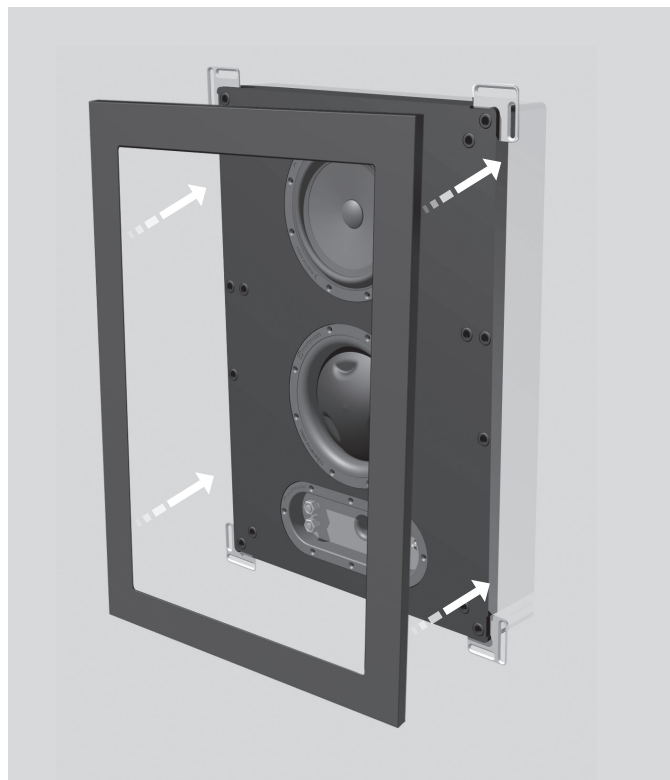
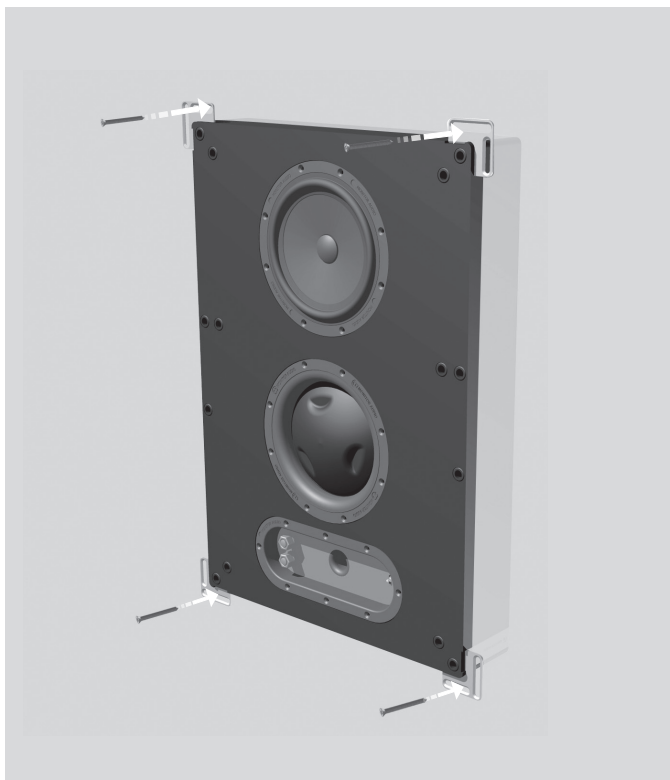


3

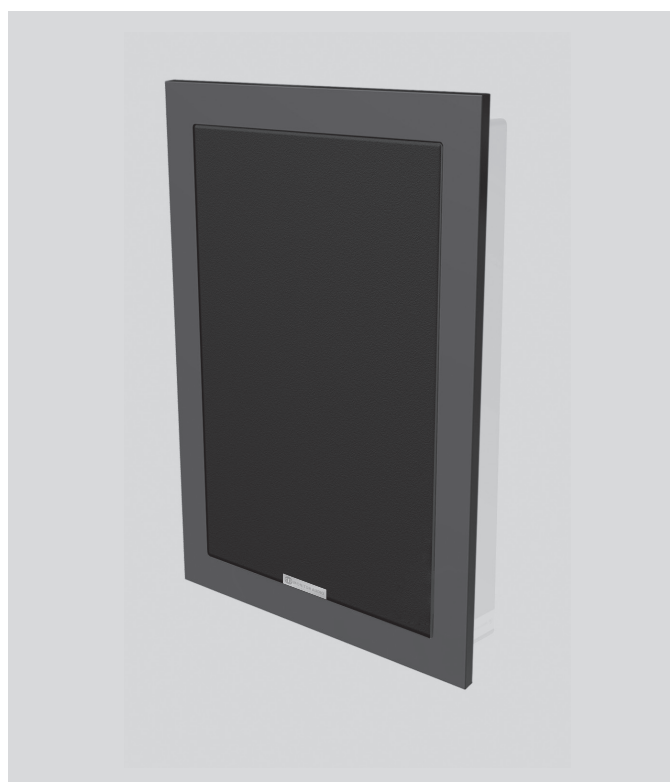
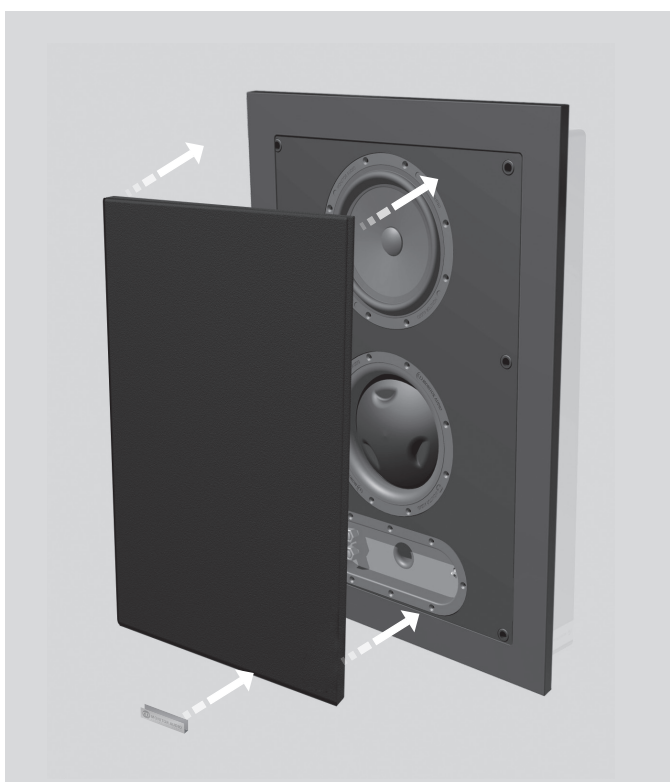
Feed wires through from back of cabinet and place cabinet in wall cavity.



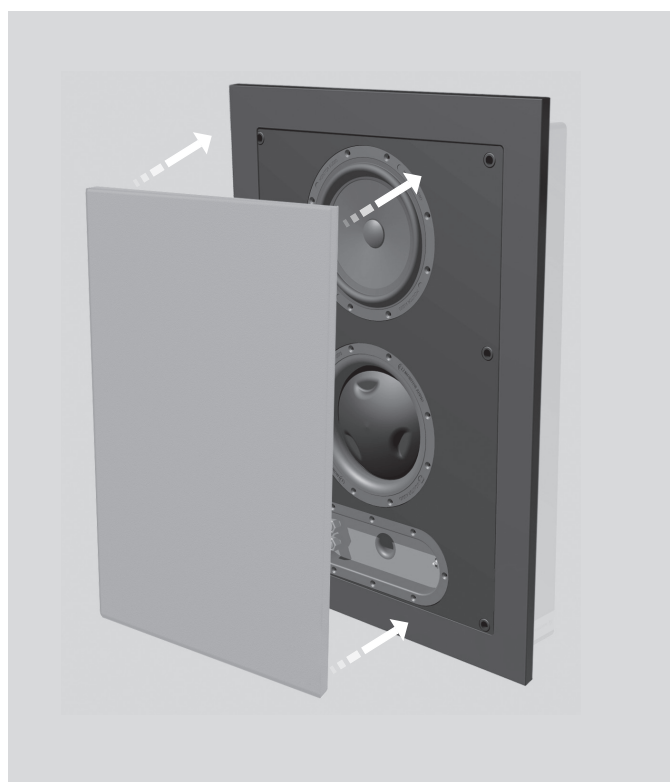
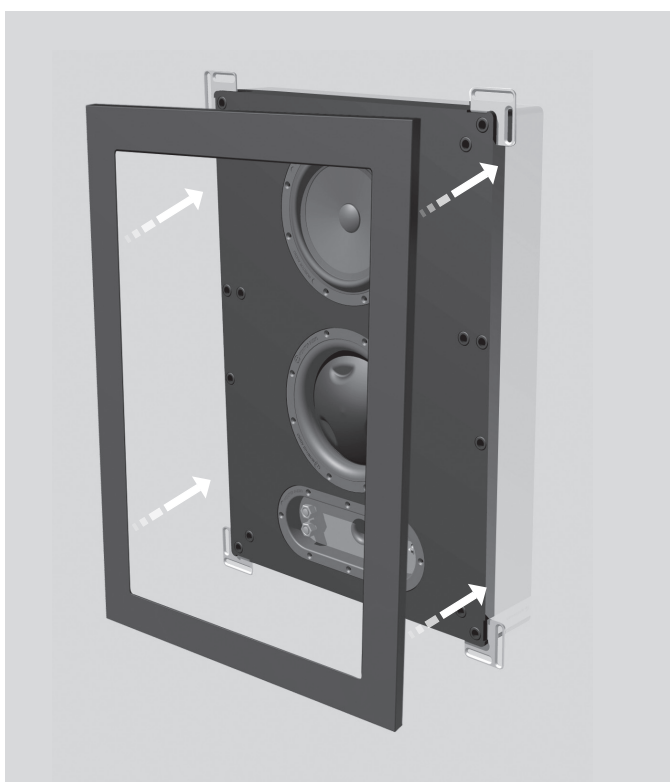
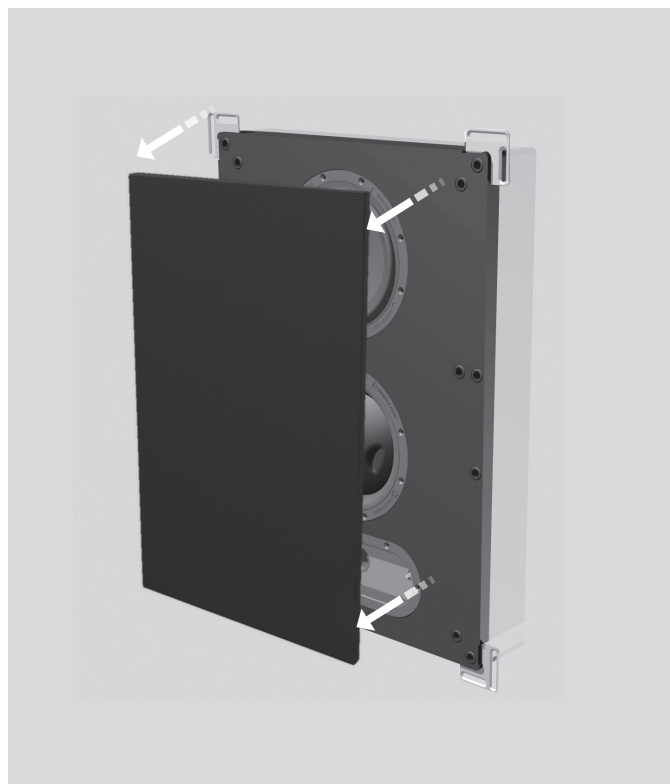
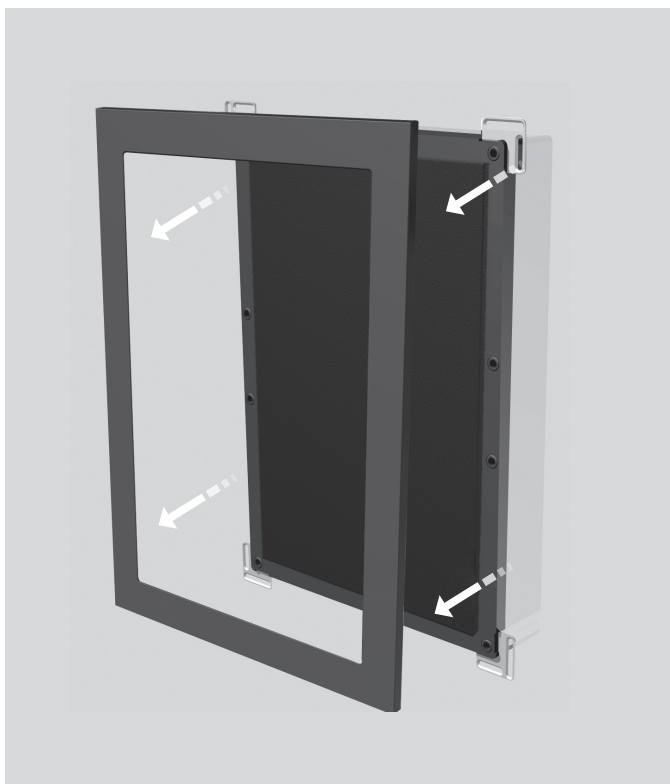
- 4** Fix cabinet in place with 4 x screws (not included) and attach frame.






- 5** Fit grille badge if required, then attach grille to cabinet.



Grille removal and Installation  
Grille détachable et guide d'installation  
Installationshandbuch  
Guía de reemplazo e instalación de rejillas



# Acoustic Specifications

	SoundFrame 1 and 2 i-W	SoundFrame 3 i-W
Frequency Response	55Hz – 35kHz	75Hz - 35kHz
Sensitivity	86dB	85dB
System Configuration	3 way	2 way
Driver Complement	1 x 6.5" C-CAM® mid/bass driver with RST®II technology, 1 x 4" IDC® mid-range driver dual concentric 1" C-CAM® gold dome tweeter.	1 x 4" MMP®II mid/bass driver.  1 x 25mm (1") C-CAM® Gold Dome tweeter
Power Handling (RMS)	100W	50W
Maximum SPL (each @1m)	106 dBA	102.5 dBA
Recommended Amplifier Requirements (RMS)	25-100W	25 - 50W
Bass Alignment	Sealed Box	Bass Reflex
Nominal Impedance	8 ohms	8 Ohms
Crossover Frequency	550Hz & 3.3kHz	3.2kHz
Finishes		Matt white cabinet with white high gloss piano lacquer frame. Matt black cabinet with black high gloss piano lacquer frame. Matt white cabinet with white primed frame (paint-able).
White Lacquer		
Black Lacquer		
Primer		

# Fitting Specifications

## SoundFrame 1 i-W

Dimensions (H x W x D) Including Frame	552 x 402 x 87.5mm (21 <sup>3/4</sup> x 15 <sup>13/16</sup> x 3 <sup>7/16</sup> " )
Cut-out Dimensions (H x W x D)	501 x 351 x 75mm (19 <sup>11/16</sup> x 13 <sup>3/4</sup> x 2 <sup>15/16</sup> " )
Depth from wall	19mm (3/4")
Weight	7.53Kg (16.6lb)

## SoundFrame 2 i-W

Dimensions (H x W x D) Including Frame	802.5 x 252.5 x 87.5mm (31 <sup>5/8</sup> x 9 <sup>15/16</sup> x 3 <sup>7/16</sup> " )
Cut-out Dimensions (H x W x D)	751 x 201 x 75mm (29 <sup>1/2</sup> x 7 <sup>7/8</sup> x 2 <sup>15/16</sup> " )
Depth from wall	19mm (3/4")
Weight	7.26Kg (16lb)

## SoundFrame 3 i-W

Dimensions (H x W x D) Including Frame	301.5 x 301.5 x 77.5mm (11 <sup>7/8</sup> x 11 <sup>7/8</sup> x 3 <sup>1/16</sup> " )
Cut-out Dimensions (H x W x D)	251 x 251 x 59.5mm (9 <sup>7/8</sup> x 9 <sup>7/8</sup> x 2 <sup>5/16</sup> " )
Depth from wall	18mm (3/4")
Weight	3Kg (6.6lb)



Designed in the United Kingdom  
Version 2, 2011