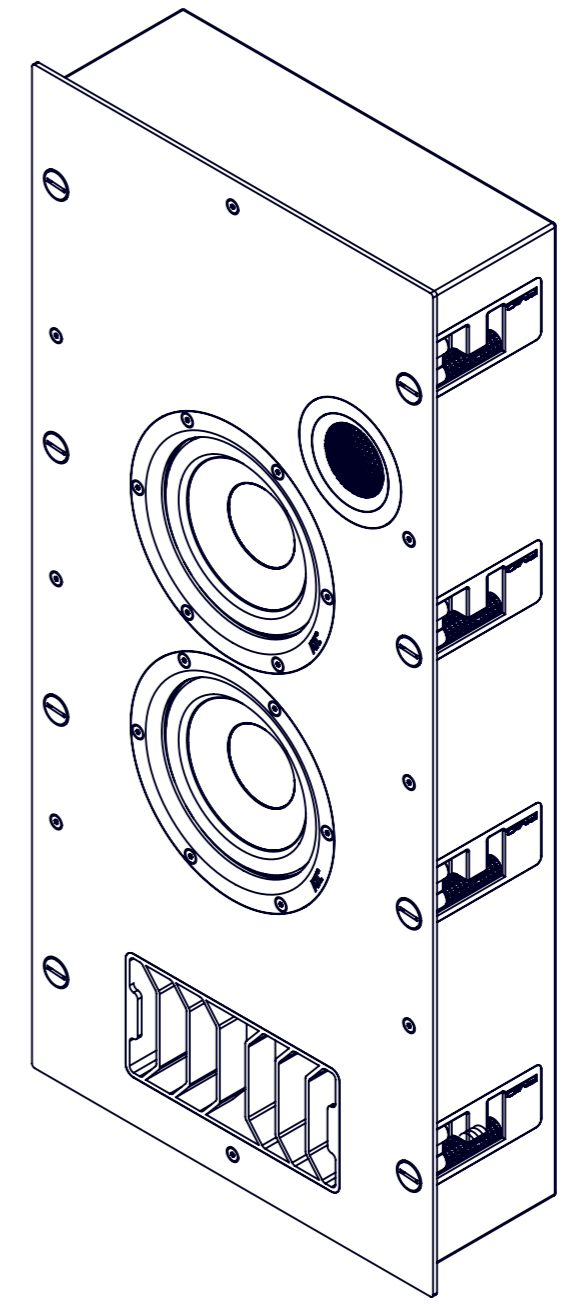
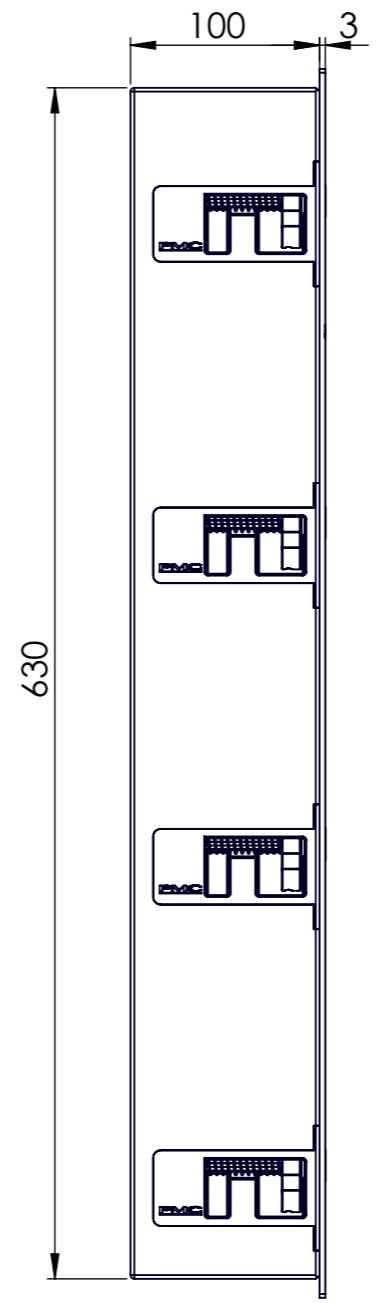
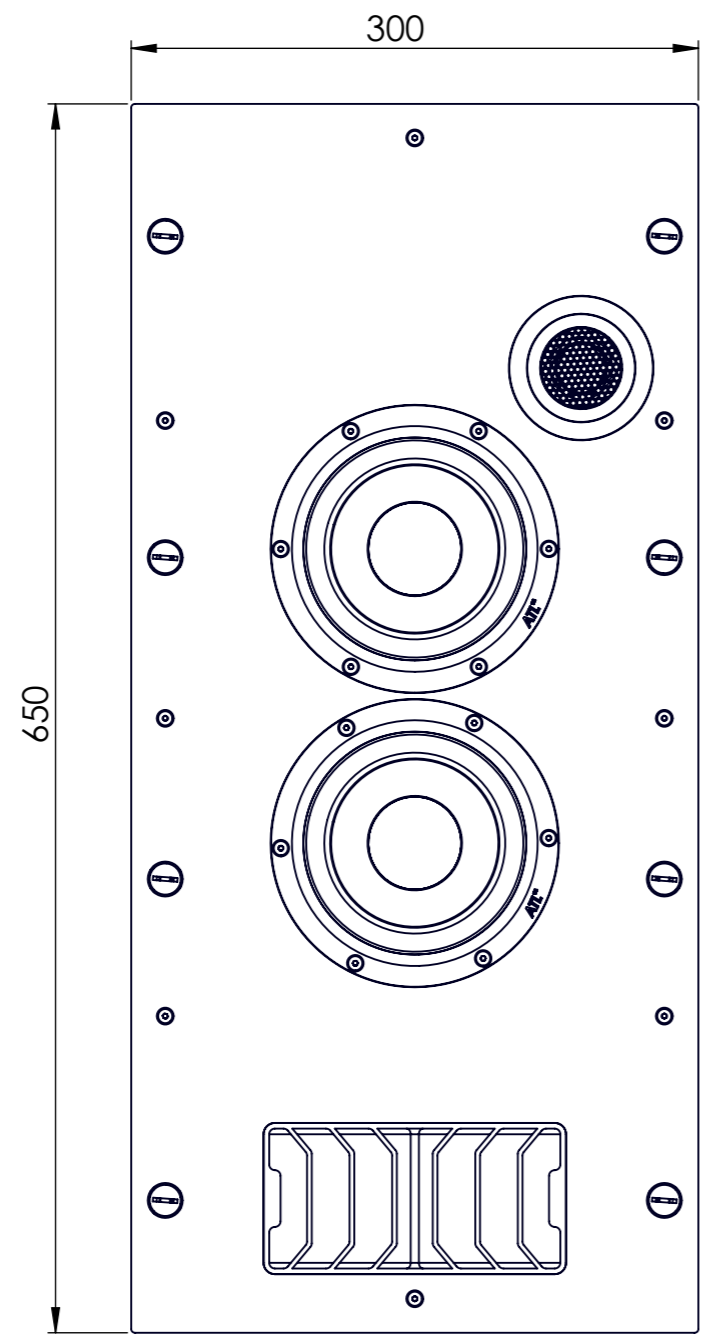


1 A B C D E D E

2
3
4
5
6
7
8



<h1>PMC</h1> <p>THE PROFESSIONAL MONITOR COMPANY 43-45 Crawley Green Road Luton, Bedfordshire LU2 0AA Tel: 0870 444 1044 Fax: 0870 444 1045</p>	SIZE	TITLE		5			
	A3	Ci65 Complete Dimensions		4			
	SCALE	PROJECT		3			
	1:4	PART NO.	REV.	2			
SHEET	All Tolerances +/-0.2mm Unless otherwise stated		1	PM	Complete Dimensions	23/01/20	OT
1 of 1	All Dimensions in mm		ISS.	INIT.	DESCRIPTION	DATE	APP.