



Wall mount your speakers securely enough that they cannot fall and cause personal injury or damage to property.



Paradigm DOES NOT supply hardware for mounting speakers to the wall. Always use screws appropriate for wall type and weight of speakers.

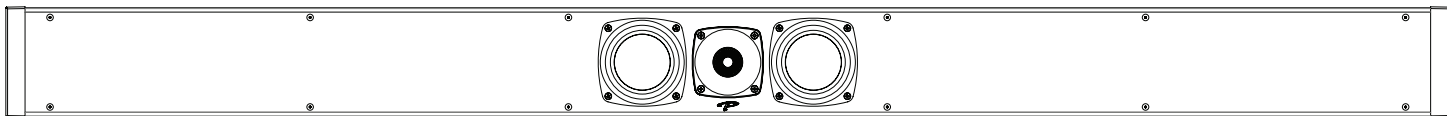
NON LIABILITY: We are aware that the mounting assemblies provided for speakers in this manual could be used for purposes and in ways other than those for which they were intended. The manufacturer, distributor, retailer and their respective agents cannot be held responsible or liable for injuries or property damage—direct, indirect or consequential—arising from the use of or inability to use these products safely and properly. Every effort has been made to provide accurate, error-free installation instructions. Paradigm Electronics Inc. disclaims liability for difficulties that may arise from the misinterpretation of information contained in these instructions.



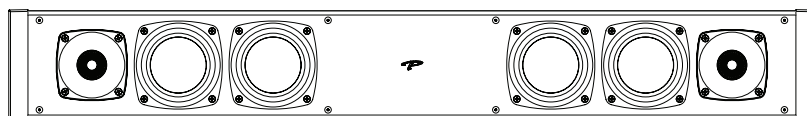
An Important Note About TV Mounting Bracket:

Ensure the **TV mounting bracket, attached to the wall**, will accommodate the extra weight of the Décor speaker and Décor Mounting Rails **BEFORE** attaching to wall. If unsure, consult dealer or TV mount manufacturer.

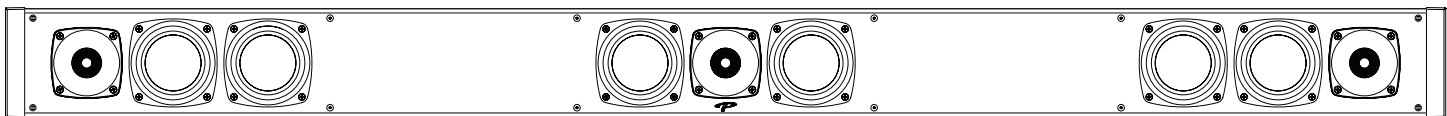
1C



1S



1SC

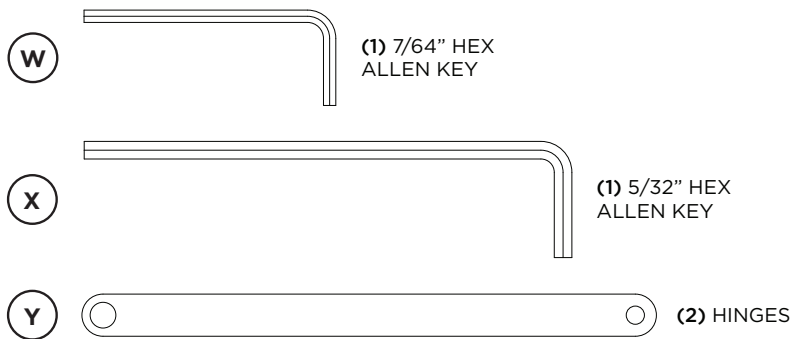
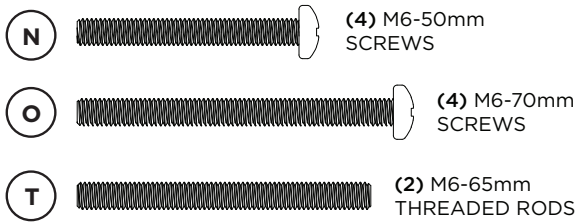
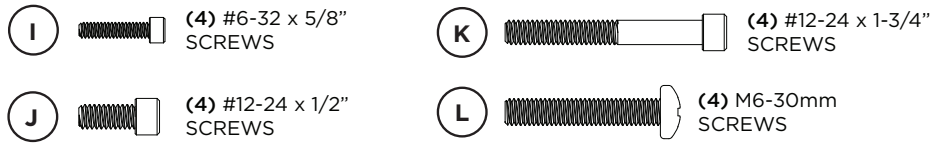


**CAUTION: 2 PERSON
 INSTALLATION**

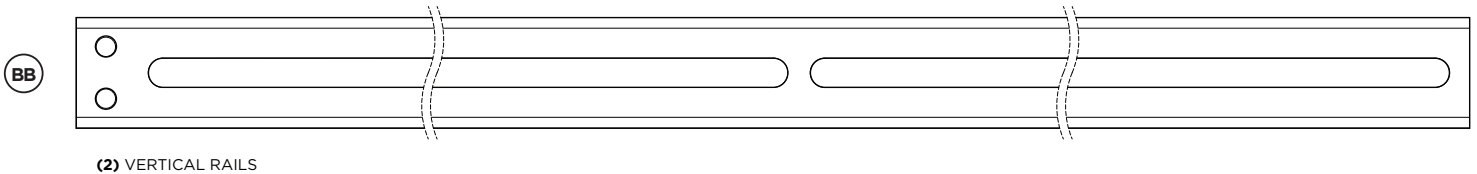


HARDWARE INCLUDED (KIT0077)

Depending on TV type, not all hardware listed will be required.



RAIL ASSEMBLIES

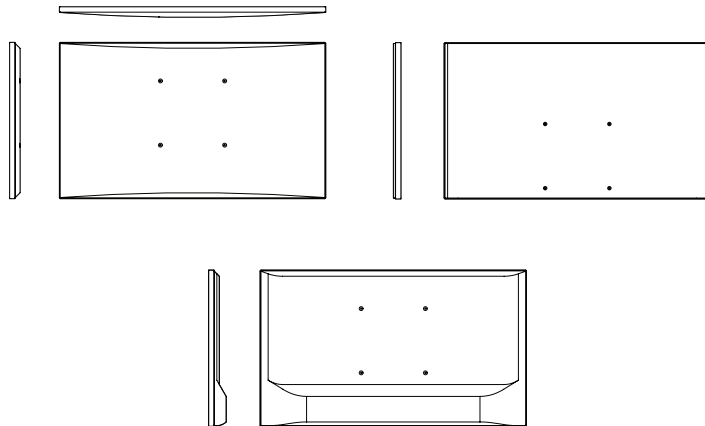




CAUTION: THIS IS A TWO PERSON PROCEDURE. TWO PEOPLE ARE NEEDED TO CARRY OUT THE INSTRUCTIONS OUTLINED BELOW. BE CAREFUL NOT TO DAMAGE TV AND SPEAKER DRIVERS DURING BRACKET INSTALLATION.

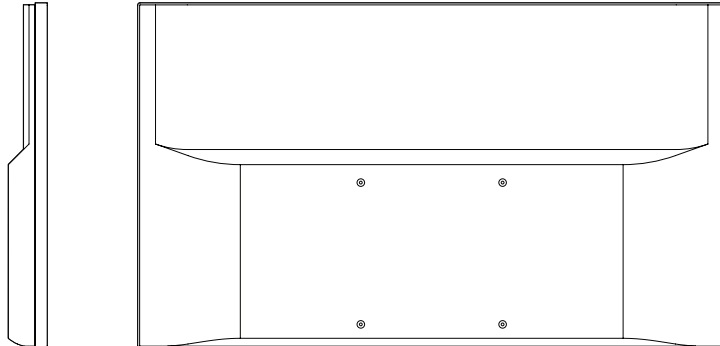
Before installing, identify TV profile type (A, B or C) and gather the necessary mounting hardware required from the contents provided.

(A) CURVED or SLIM or PROFILE TV (4 screw holes at TOP of TV)



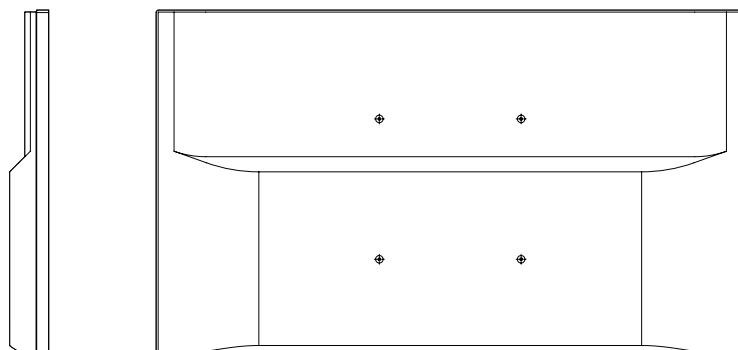
- (4)** M6-50mm Screws (N)
- (4)** M6-Washers (C)
- (8)** Spacers (E)
- (2)** Railing Assemblies (see step 1)

(B) PROFILE TV (4 screw holes at base of TV)



- (4)** M6-30mm Screws (L)
- (4)** M6-Washers (C)
- (2)** Rail Assemblies (see step 1)

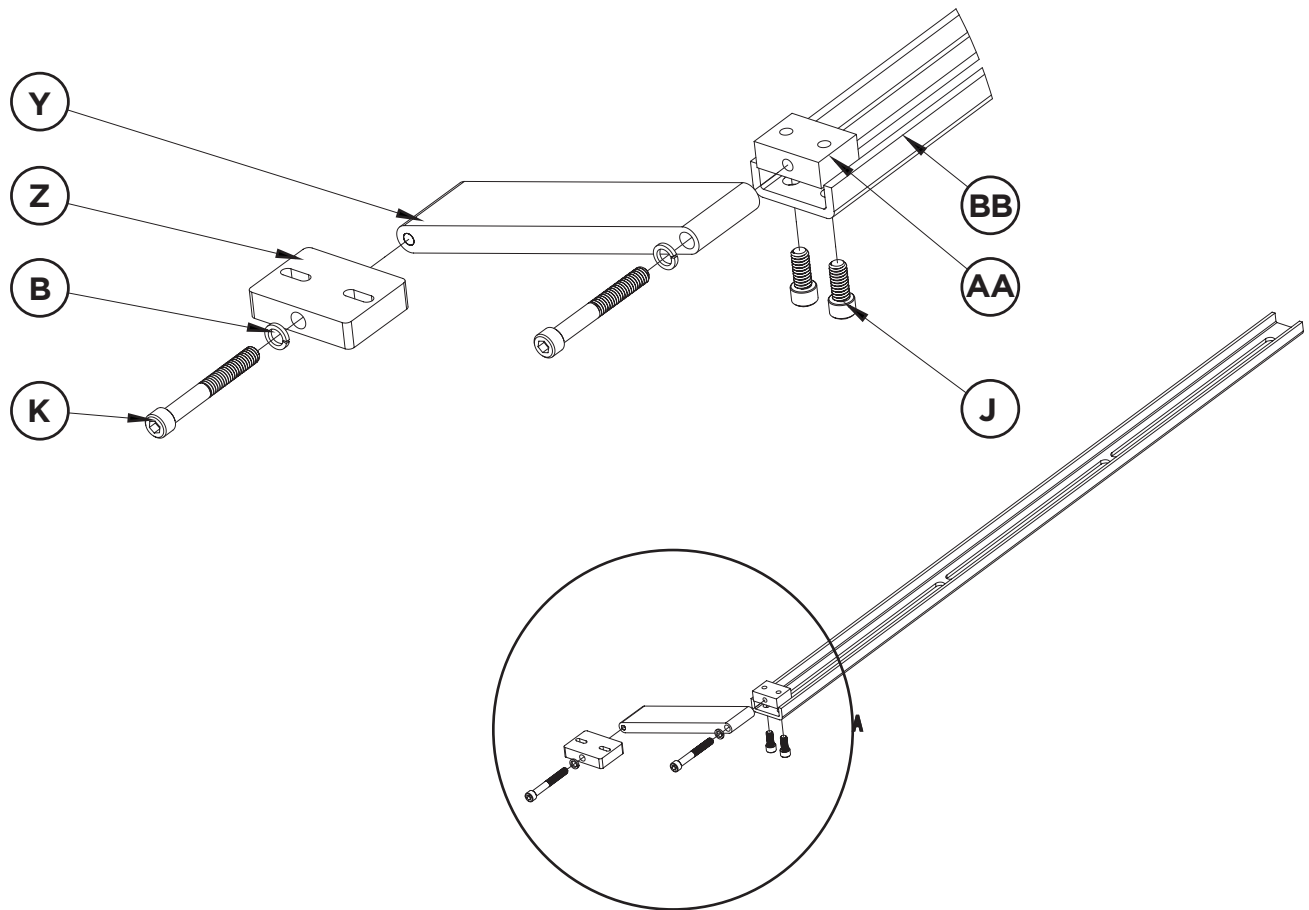
(C) PROFILE TV (2 screw holes TOP and BOTTOM)



- (2)** M6-65mm Threaded Rods (T)
- (2)** M6-30mm Screws (L)
- (8)** Washers (C)
- (6)** Nuts (F)
- (2)** Rail Assemblies (see step 1)

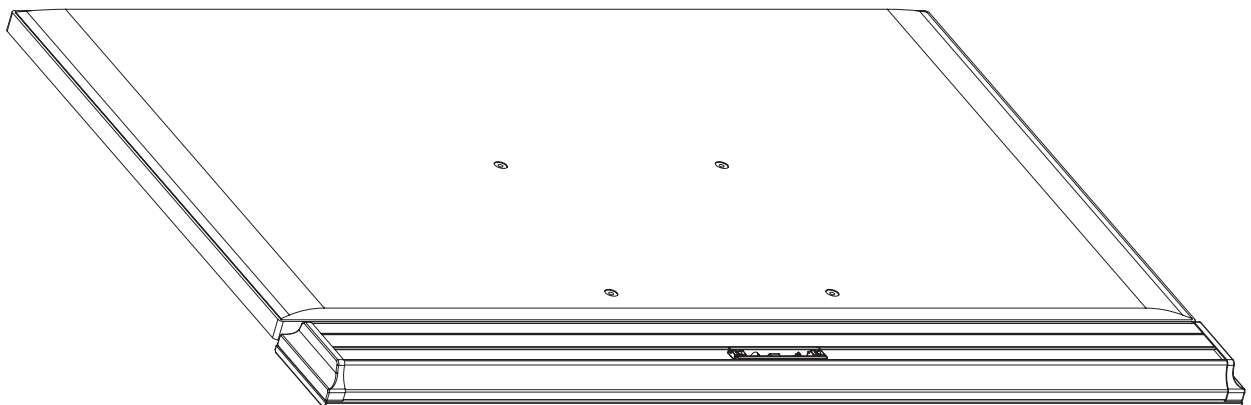
MOUNTING PROCEDURE

Horizontal speaker mounting rails, with hinges, have been preassembled. Image below shows preassembled parts and hardware, in exploded view.

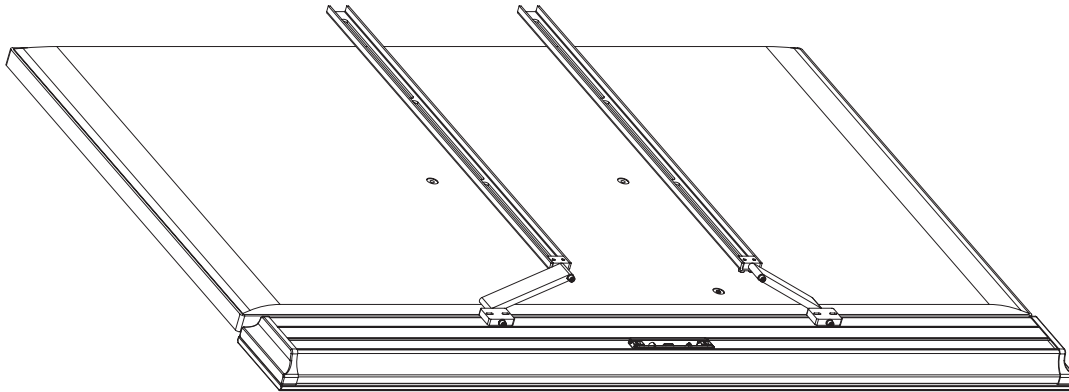


1. Lay TV facedown, on floor. Position Décor SPEAKER AND GRILLE along bottom edge of TV. Be careful not to damage the screen or the speaker drivers. Be sure to position speaker with terminals away from TV.

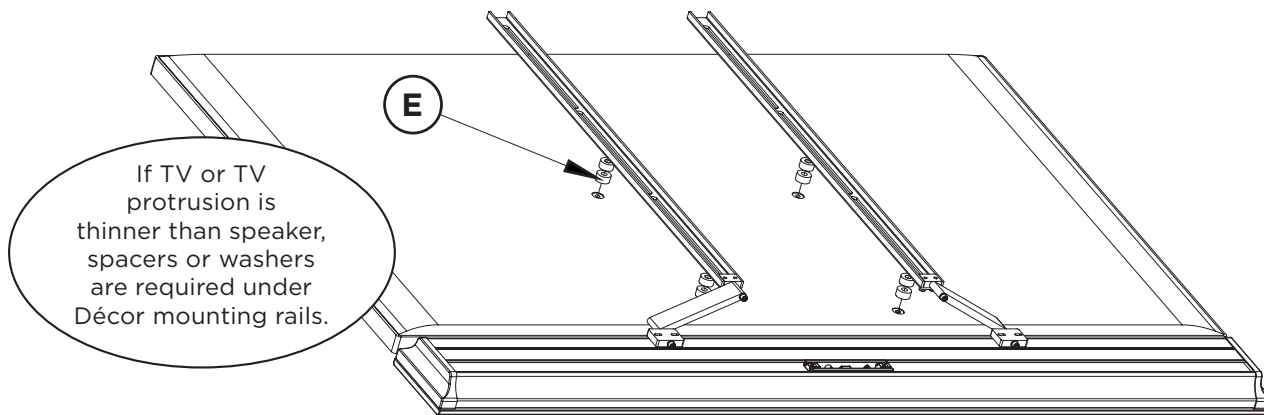
NOTE: Be sure to move speaker and grille together when positioning against TV.



- Place speaker rail assemblies on back of TV and align holes in rails to holes on back of the TV.

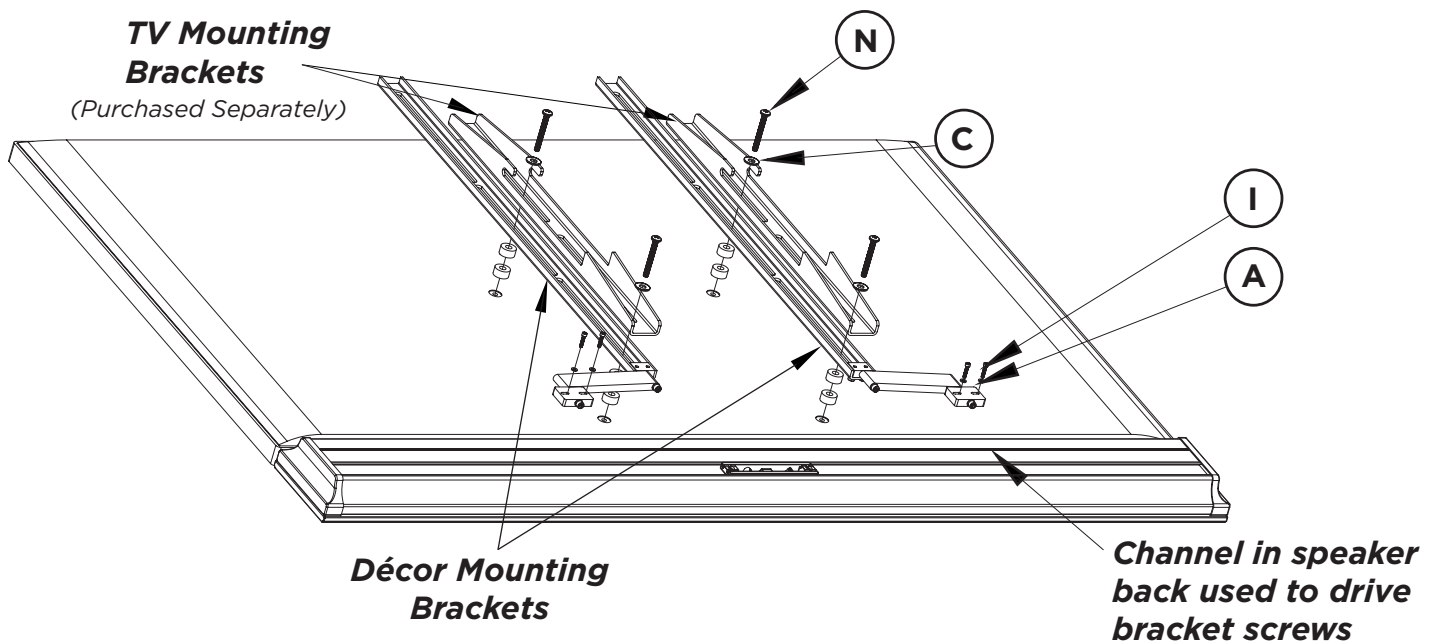


- If TV is **(A) CURVED or SLIM or PROFILE**, eight spacers (E) are provided to make TV “flush” with speaker. See diagram below.

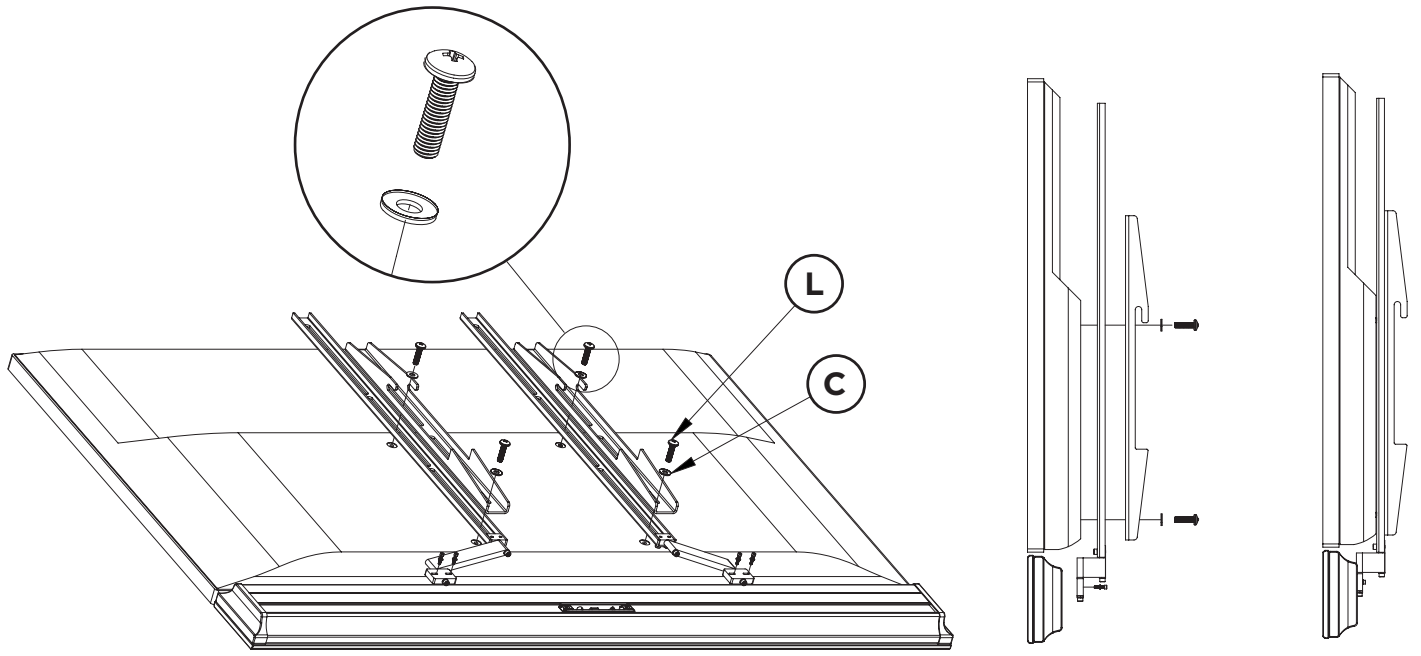


- Take additional TV rails included in separately purchased TV wall Mount Kit and place onto back of TV ovetop of attached speaker rail assemblies.

(A) CURVED or SLIM or PROFILE TV (4 screw holes at TOP of TV)

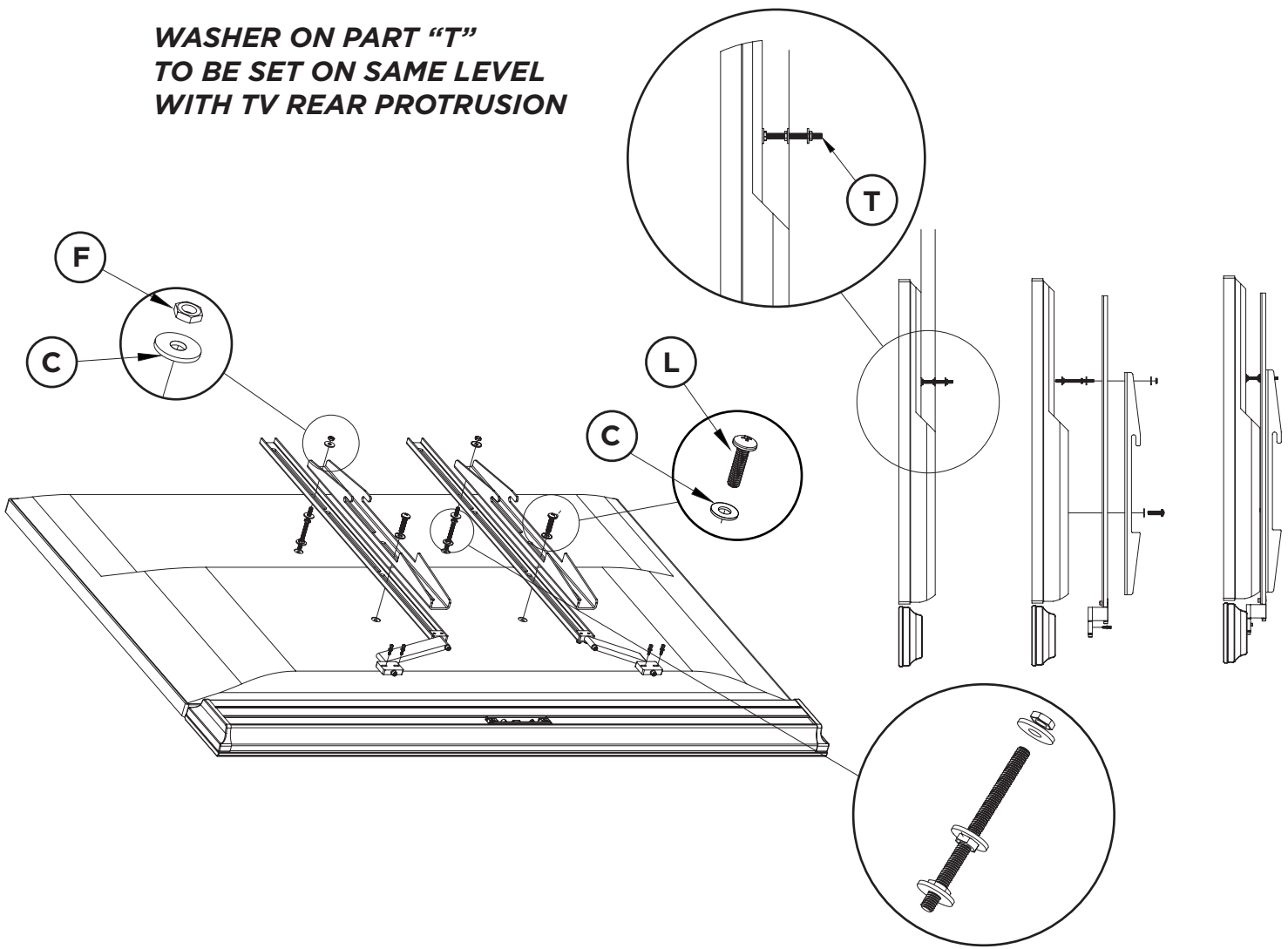


(B) PROFILE TV (4 screw holes at base of TV)

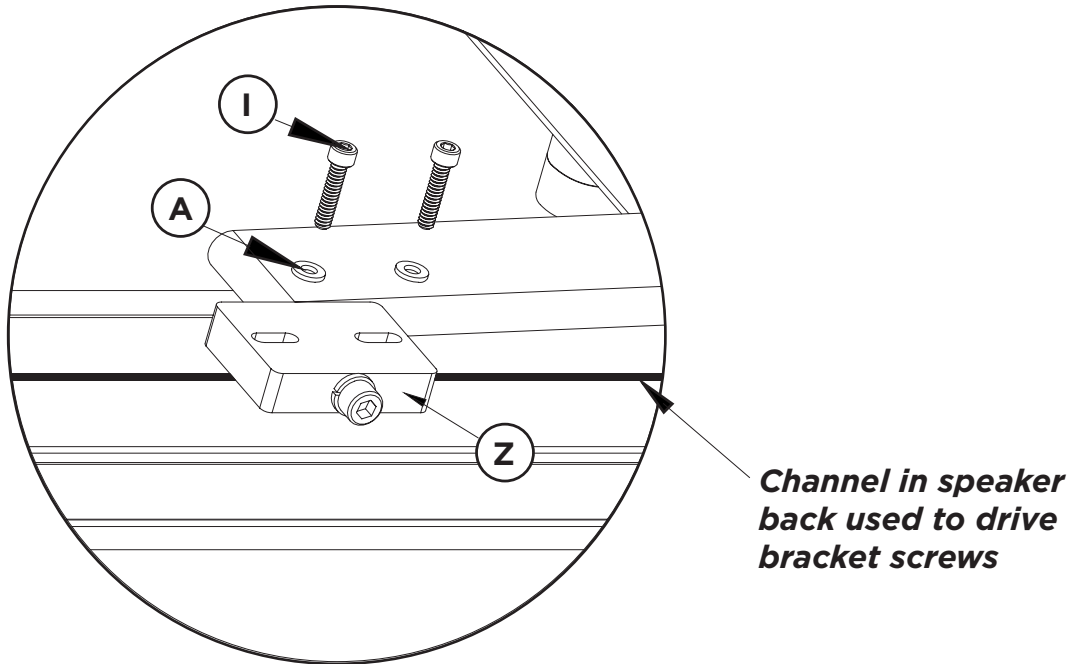


(C) PROFILE TV (2 screw holes TOP and BOTTOM)

WASHER ON PART "T"
TO BE SET ON SAME LEVEL
WITH TV REAR PROTRUSION



- Secure Décor Speaker rails and TV mounts, as shown on previous page, using washers and screws. DO NOT TIGHTEN SCREWS AT THIS STAGE.
- Attach speaker brackets (Z) to speaker using washers (A) and screws (I).



- Ensure speaker is properly aligned with TV before tightening all screws and threaded rods with nuts (F) if applicable, only when using threaded rods (T).

At this stage, mounting system is now ready to be installed on wall.
Follow instructions which came with your TV mount to place TV on wall.



CAUTION: CAREFULLY LIFT BY RAILS. DO NOT LIFT BY TV EDGE.
Support entire bracket assembly and place onto TV Mount on wall (purchased separately). Follow TV Mounting instructions. WHEN RE-HANGING TV, SUPPORT BOTH THE TV AND THE ATTACHED SPEAKERS.

Fine Adjustments:

After hanging TV, according to manufactures bracket instructions, adjust speaker to be flush with TV. Use Allen Key to secure tightly.

To ensure proper installation and enjoy all of the exceptional sound these speakers are designed to provide, please read this manual and follow all instructions.



Paradigm Electronics Inc., 205 Annagem Blvd., Mississauga, ON L5T 2V1

T: +1 905.564.1994