

# Cabasse



## ARCHIPEL 13

RECESSED MUSIC

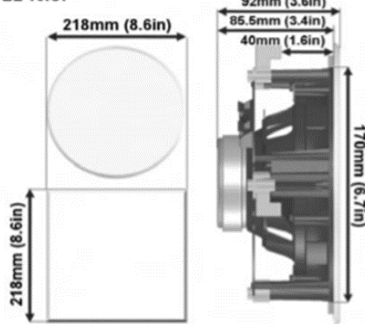
The Archipel range of loudspeakers is designed for perfect integration in ceilings and walls, with no performance compromises. Developed with the same passion that goes into the technical and acoustic design of all Cabasse loudspeakers, the range offers the same presence, high fidelity sound reproduction and user benefits that are to be found in all the company's products.

Cabasse

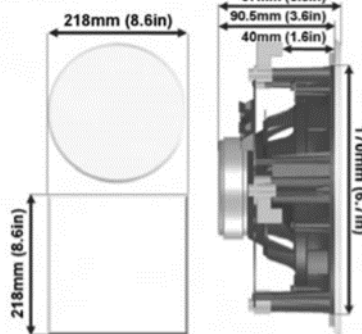


# ARCHIPEL 13

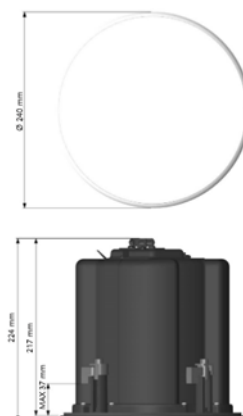
ARCHIPEL 13ICP



ARCHIPEL 13ICD



ARCHIPEL 13 ICP TR



## SPECIFICATIONS

	<b>ARCHIPEL 13 ICP</b>	<b>ARCHIPEL 13 ICD</b>	<b>ARCHIPEL 13 ICP TR</b>
Position	In ceiling / In wall	In ceiling / In wall	In ceiling / In wall
Ways	2	2	2
Drivers	1 x DOM24 pivoting tweeter soft dome 1 x midrange-woofer 13T15 IC - diaphragm P2C	1 x DOM25 pivoting tweeter Kaladex® dome 1 x midrange-woofer 13M20 IC - Duocell diaphragm	1 x DOM24 pivoting tweeter soft dome 1 x midrange-woofe 13T15 IC - Duocell diaphragm P2C
Cross over point	3 570 Hz	3 700 Hz	3 550 Hz
Frequency response	65 - 21 500 Hz	73 - 22 000 Hz	80 - 21 500 Hz
Sensitivity 1 W / 1 m	84,5 dB	86,5 dB	84,5 dB
Nominal impédance	8 ohms	8 ohms	8 ohms
Minimal impédance	8,5 ohms	7,2 ohms	8,5 ohms
Power handling	25W	30 W	15 W/70-100 V
Peak power	200 W	240 W	100 W/70-100 V
Dimensions (h x w x d)	22 x 22 x 9,2 cm	22 x 22 x 9,5 cm	24 x 24 x 22,4 cm
Weight	1,4 Kg	1,5 Kg	3,3 Kg
Finishes	White (paintable grill)	White (paintable grill)	White (paintable grill)