

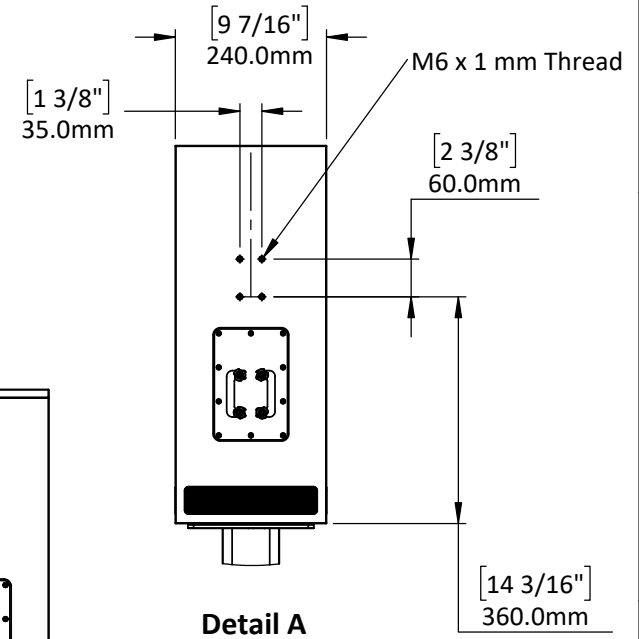
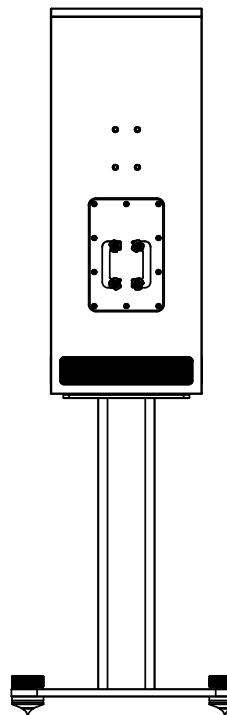
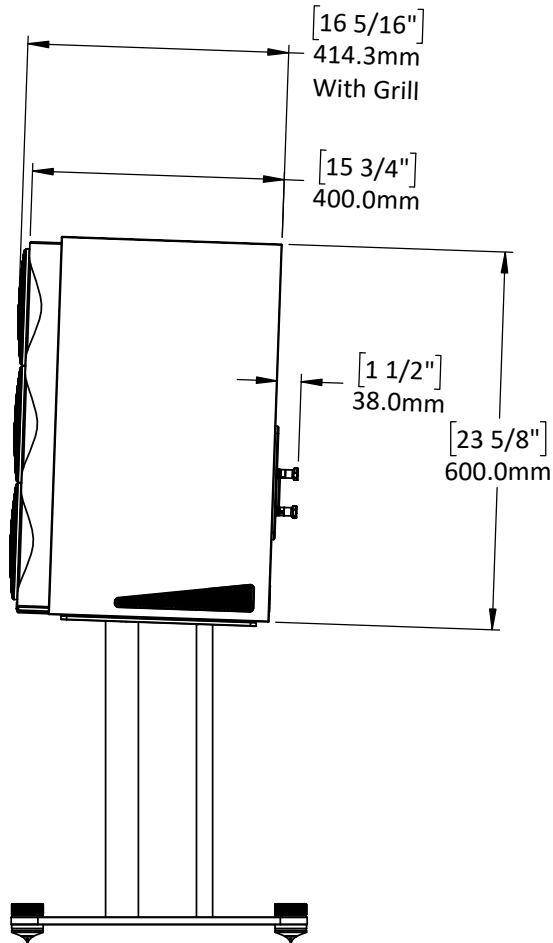
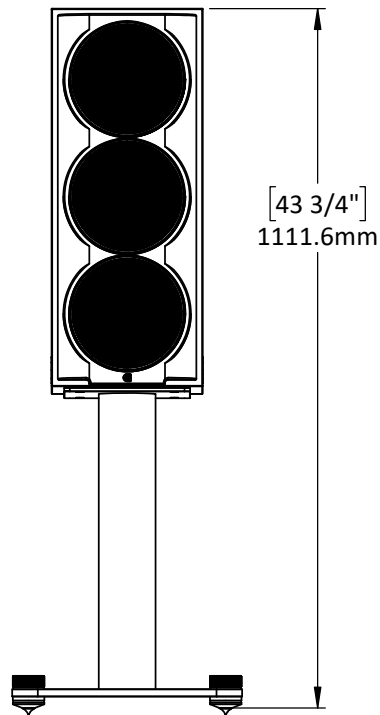
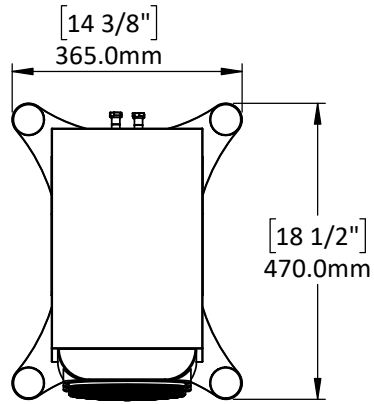
4

3


2

1

REVISIONS		
REV.	DESCRIPTION	DATE
1	Initial Release	6/30/21



PROPRIETARY AND CONFIDENTIAL
 THE INFORMATION CONTAINED IN THIS
 DRAWING IS THE SOLE PROPERTY OF
PERLISTEN AUDIO, LLC. ANY
 REPRODUCTION IN PART OR AS A
 WHOLE WITHOUT THE WRITTEN
 PERMISSION OF **PERLISTEN AUDIO, LLC** IS
 PROHIBITED.

NAME	DATE	
TITLE:		Sheet1
SIZE	DWG. NO.	REV
A	PERLISTEN-S5m_Architectural	1
SCALE: 1:12	SHEET 1 OF 1	