

4

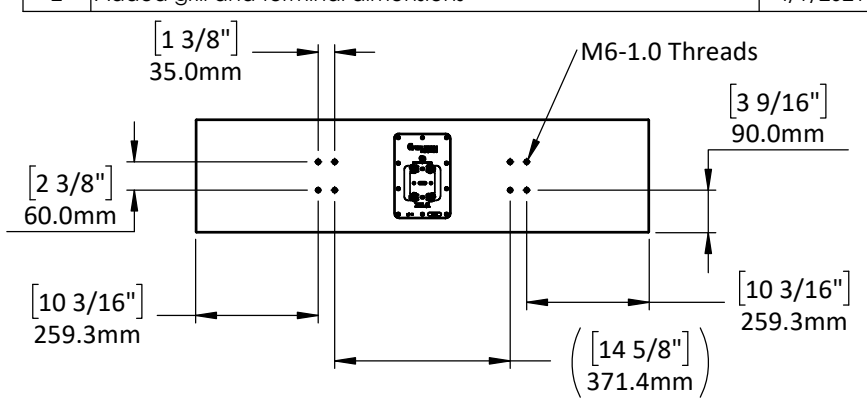
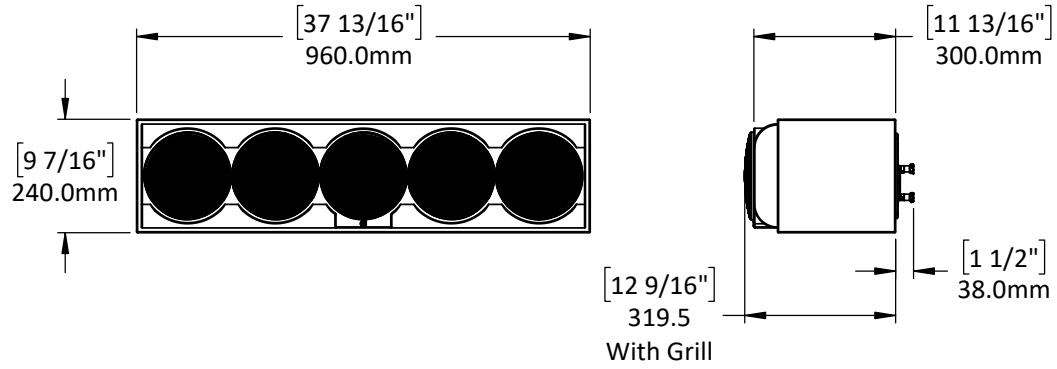
3

2

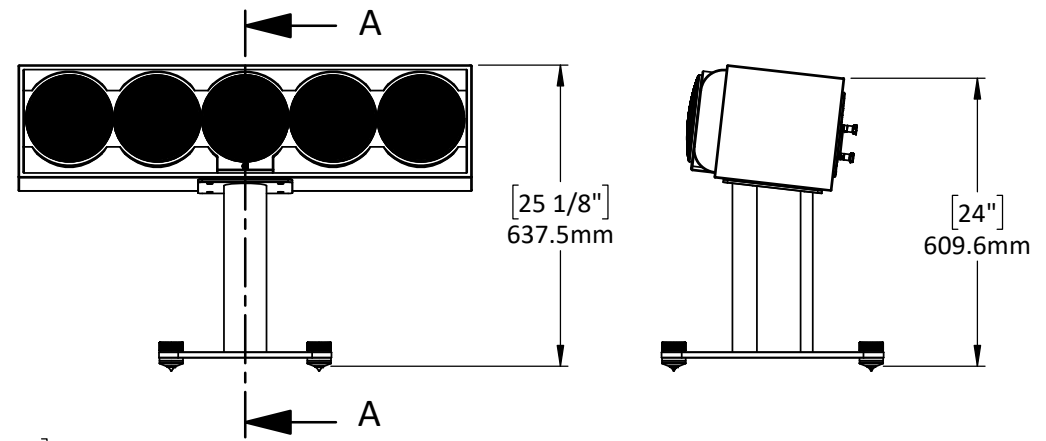
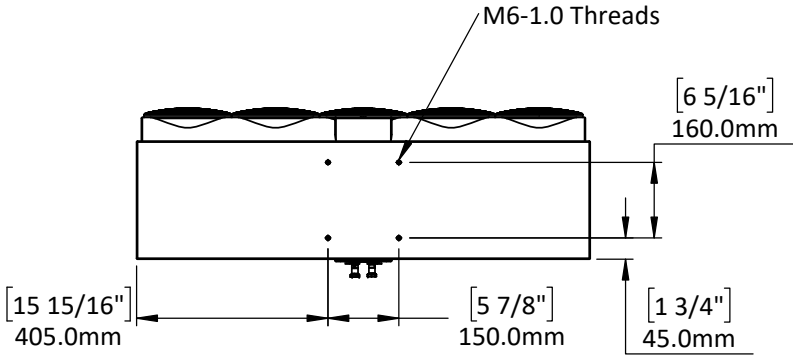
1

REVISIONS		
REV.	DESCRIPTION	DATE
1	Initial Release	3/30/2021
2	Added grill and terminal dimensions	4/1/2021

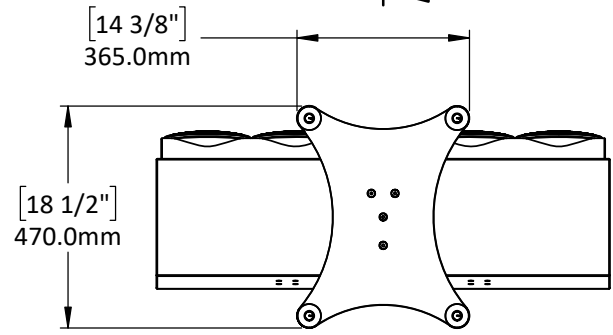
D



C




B



A

**PROPRIETARY AND CONFIDENTIAL**  
 THE INFORMATION CONTAINED IN THIS DRAWING IS THE SOLE PROPERTY OF PERLISTEN AUDIO, LLC. ANY REPRODUCTION IN PART OR AS A WHOLE WITHOUT THE WRITTEN PERMISSION OF PERLISTEN AUDIO, LLC IS PROHIBITED.

NAME	DATE	
TITLE:		Sheet1
SIZE	DWG. NO.	REV
<b>A</b>	<b>PERLISTEN-S7c_Architectural</b>	<b>2</b>
SCALE: 1:16	SHEET 1 OF 1	

2

1