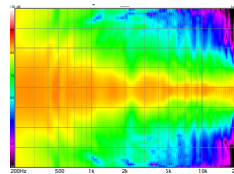
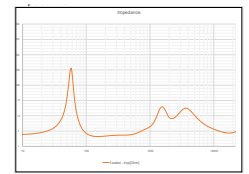


Horizontal Directivity



Vertical Directivity



Impedance

MODEL S5c



TECHNICAL SPECIFICATIONS



Smaller sibling to our S7c. The S5c is designed for applications requiring somewhat smaller center channel. Featuring our proprietary DPC-Array controlling Mid/High frequencies, centered by our finest 28mm Beryllium dome and dual 28mm TPCD ultra-lightweight domes. All transducers are developed ground up by our engineers – bringing decades of research, culminating in this world class design. We teamed up with companies in the USA and Sweden to bring modern material science to hi-fi. Utilizing advanced Comsol acoustical modeling, our DPC-array is the result of 18 months of painstaking simulations and prototyping. The result is one of the most technologically advanced loudspeakers available. This new tweeter/waveguide DPC-Array delivers amazing accuracy, smoothness, and directivity control to handle the critical vocal range and delicate treble. All S-Series speakers share the same DPC-Array and benefit from our unique timbre matching technique across the entire series. Custom bass drivers made from thin-ply carbon diaphragms (TPCD) used here in a compact acoustic suspension enclosure for predictable low frequency performance ideally suited for multi-channel systems.

BASIC

Dimensions (HxWxD)
4240 x 596 x 300mm
19.5 x 23.5 x 11.8"

Weight
21.4 kg (47.1 lbs.)

Available finishes
Piano Gloss Black, White
Special Edition Veneers

TECHNICAL

Enclosure Alignment
3-way acoustic suspension

Driver complement
DCP-Array: 28mm(3) Beryllium
28mm(2) Textreme TPCD
Woofers: 180mm(2) Textreme TPCD

Sensitivity (2pi)
88.8dB / 2.83v / 1.0m

Impedance
4Ω nominal / 3.2Ω min

Response Linearity
80 - 20kHz +/-1.5dB window

Frequency Response (-10dB)
Acoustic suspension: 42 - 34kHz

Typical In Room bass extension
Acoustic suspension: 33Hz

Recommended Amplifier Power
100 - 300W RMS

SPL capability @1m (100-20kHz)
113.6dB peak
111.0dB peak <3% - 2nd, 3rd Harmonics

Certification
THX Dominus, THX Ultra

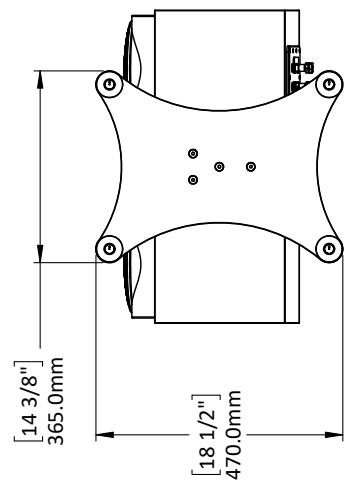
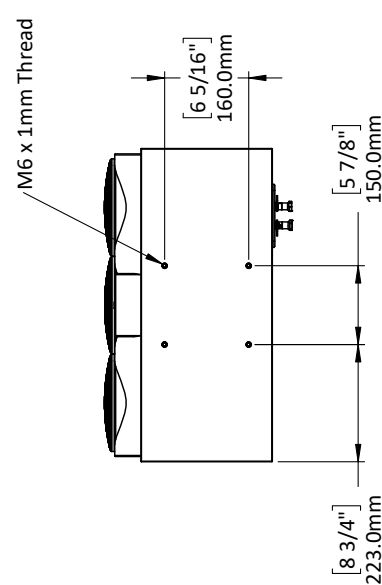
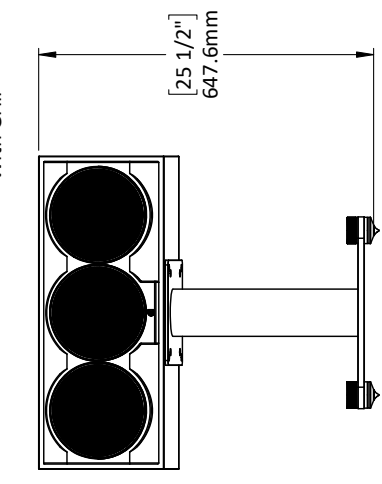
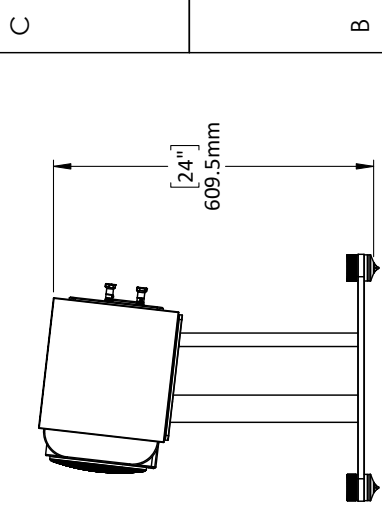
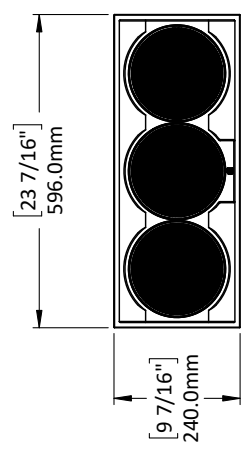
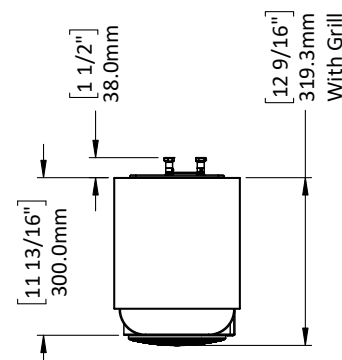
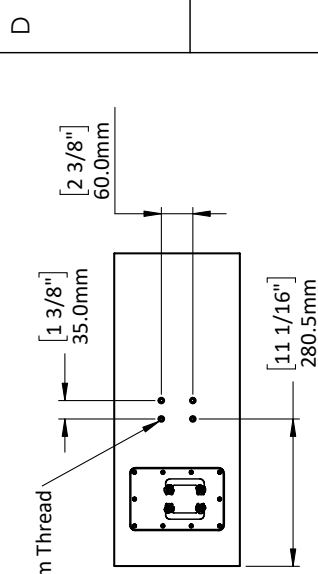


DPC Array
Directivity pattern control
*USA Patent pending



TPCD
Thin Ply Carbon Diaphragms

REVISIONS		DATE
REV.	DESCRIPTION	
1	Initial Release	1/10/2022



PERLISTEN
PERLISTEN AUDIO, LLC

NAME: _____ DATE: _____
 TITLE: Sheet1
 SIZE: DWG. NO. _____ REV. **1**
A PERLISTEN-S5c_Architectural
 SCALE: 1:12 SHEET 1 OF 1

PROPRIETARY AND CONFIDENTIAL
 THE INFORMATION CONTAINED IN THIS DRAWING IS THE SOLE PROPERTY OF PERLISTEN AUDIO, LLC. ANY REPRODUCTION OR TRANSMISSION OF THIS DRAWING WITHOUT THE WRITTEN PERMISSION OF PERLISTEN AUDIO, LLC IS PROHIBITED.
 DRAWING: AERIAL WALLMOUNT
 DO NOT SCALE DRAWING