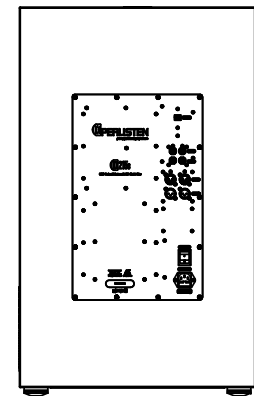
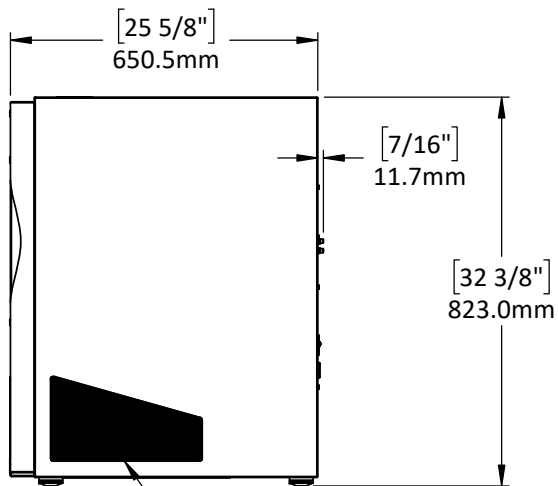
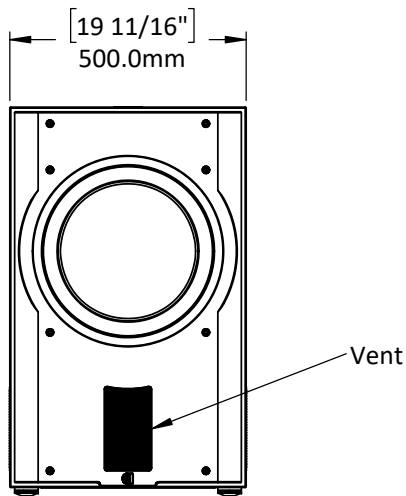
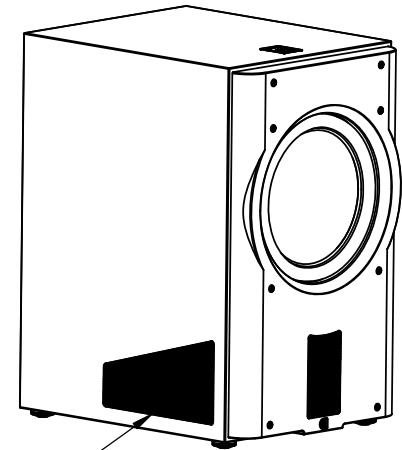
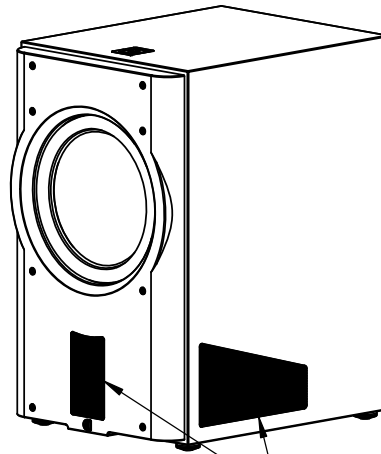
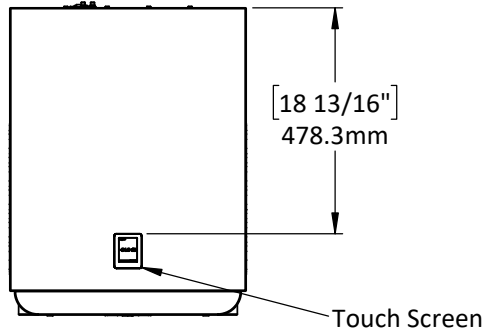



REVISIONS		
REV.	DESCRIPTION	DATE
1	Initial Release	4/11/2021



**PROPRIETARY AND CONFIDENTIAL**  
 THE INFORMATION CONTAINED IN THIS DRAWING IS THE SOLE PROPERTY OF PERLISTEN AUDIO, LLC. ANY REPRODUCTION IN PART OR AS A WHOLE WITHOUT THE WRITTEN PERMISSION OF PERLISTEN AUDIO, LLC IS PROHIBITED.

DIMENSIONS ARE IN MILLIMETERS  
DO NOT SCALE DRAWING

NAME	DATE	 <small>PERLISTEN AUDIO, LLC</small>
TITLE:		Sheet1
SIZE	DWG. NO.	REV
<b>A</b>	<b>PL_D215s_Architectural</b>	<b>1</b>
SCALE: 1:16	SHEET 1 OF 1	