

# Quickstart Manual



## Introduction

1.0

Welcome to the ULTIMA Quickstart Guide. This shortened guide is supplementary to the main manual which should be referred to for full safety and operational information.

Please note, more information on any of these topics is listed within the full manual found under the product page:

[chordelectronics.co.uk/product/ultima](https://chordelectronics.co.uk/product/ultima)

## Warranty

1.1

The ULTIMA comes with a comprehensive 5-year warranty. To activate this warranty, please register your device via the Chord Electronics website:

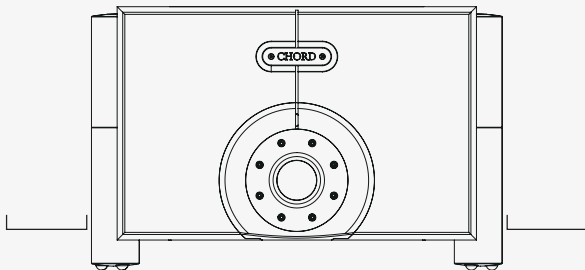
[chordelectronics.co.uk/register-product](https://chordelectronics.co.uk/register-product)



## Placement

2.0

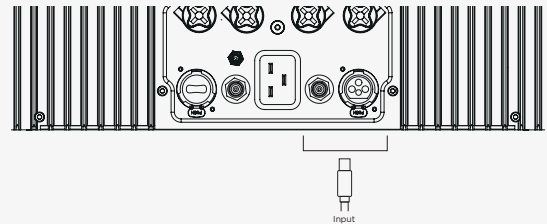
Please ensure there is sufficient ventilation around ULTIMA at all times. Avoid placing ULTIMA in enclosed spaces, on soft surfaces, near sources of heat and never cover its ventilation holes. For optimum operation and ventilation leave some space around the unit.



## Connecting ULTIMA to a preamp

3.0

First, ensure that ULTIMA, and any connecting equipment, is turned off. Any volume controls/attenuators should also be at their lowest setting. Both Ultima mono amplifiers need to be connected the same way, RCA or XLR. Connect the preamp output to each Ultima mono left input denoted by a black band round the RCA input. Your connected device must have preamplifier capabilities to prevent damage to connected equipment.

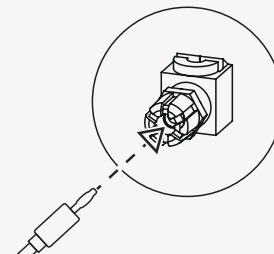


## Connecting speakers to ULTIMA

4.0

The binding posts on ULTIMA are designed to accommodate bare wire, spade connectors and banana plugs.

**Banana plugs:** can be inserted into the middle of the binding posts, as shown below, to achieve a reliable connection. Align a banana plug with the binding post and push the connector confidently until it stops. You must pay attention to the polarity, making sure that a positive connection on ULTIMA matches the positive connection on the wire and speaker. You must also pay careful attention to the left and right channels.

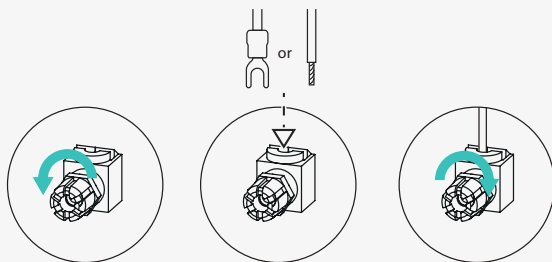


# Quickstart Manual



**Spade connectors/bare wire:** unscrew ULTIMA's binding posts, rotating counter-clockwise until there is sufficient room to attach the spade connector and then re-tighten. For bare wire, continue to unscrew until the post is exposed. Insert the wire adjacent to the post and beneath the connector and re-tighten (finger-tight) ensuring there are no stray wires.

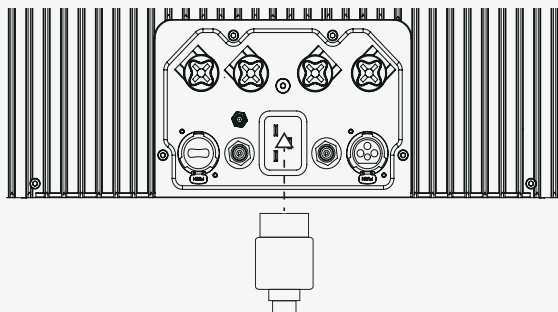
**WARNING: ALWAYS OBSERVE THE CORRECT POLARITY WHEN CONNECTING SPEAKER WIRE. NEVER MIX LEFT AND RIGHT WIRING.**



## Connecting the power to ULTIMA

5.0

Once all audio inputs and outputs are connected, connect the power cable to ULTIMA.



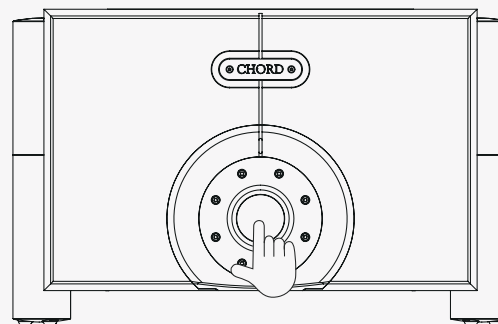
## Powering up ULTIMA

6.0

With all devices correctly connected, the system is ready for playback. Again, ensure any volume controls are set to the minimum before switching on your source and preamplifier, and then finally ULTIMA. To switch on the ULTIMA, push the large power button on the front that will be illuminated in red. The power up sequence will start and the button should turn green as ULTIMA begins its safety check. Once the button appears a teal colour the system is ready for playback.

This sequence should always be followed to protect connected devices. Commence playback by slowly increasing the volume to a comfortable listening level.

If the amplifier fails to indicate any signs of life please check the power cable. If the amplifier power button remains red, or green, after the power up sequence, or it will not power on, you must disconnect it from the source of power and contact your Chord Electronics retailer.



## Product registration

7.0

Now that you have successfully completed the setup of your ULTIMA you can immediately begin to experience its award-winning sound. However, when you spare a moment, we advise that you register your product with us. Registering helps us give you the best possible support and protects your investment:

[chordelectronics.co.uk/register-product/](https://chordelectronics.co.uk/register-product/)