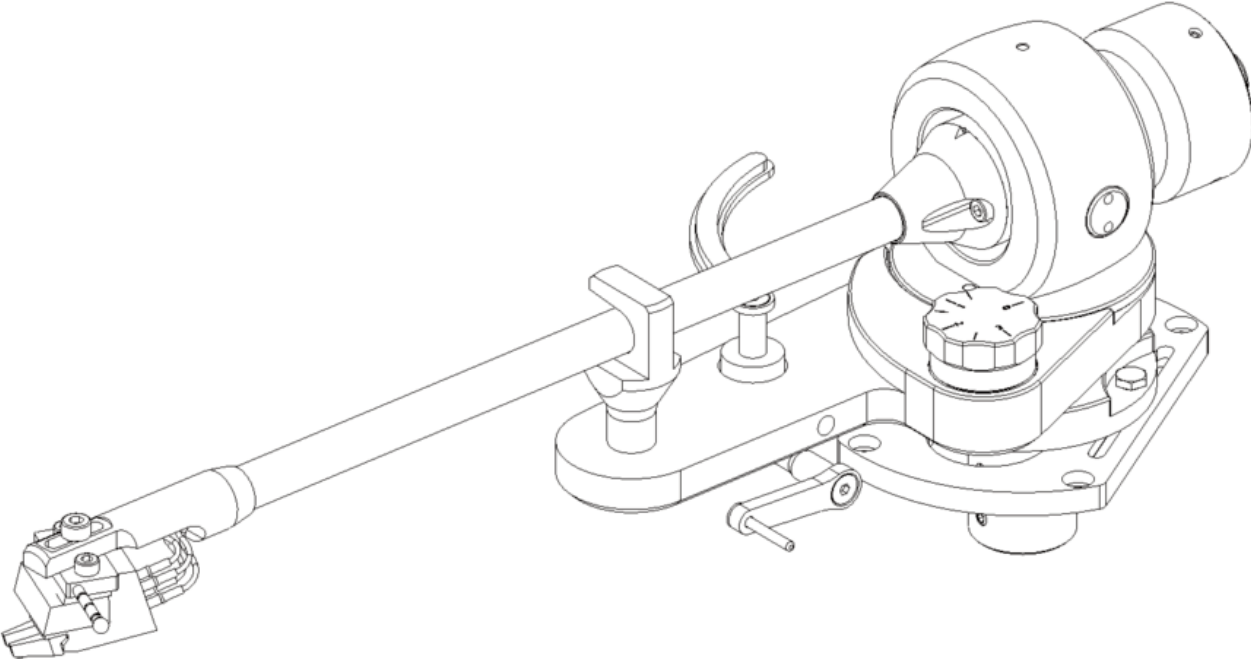


Instruction Manual

TA-2000  
Pick-Up Arm



**ACOUSTIC**  
**SIGNATURE**  
Teutonic engineering.

The TA-2000 Series embraces three models

TA-2000 9 Inch

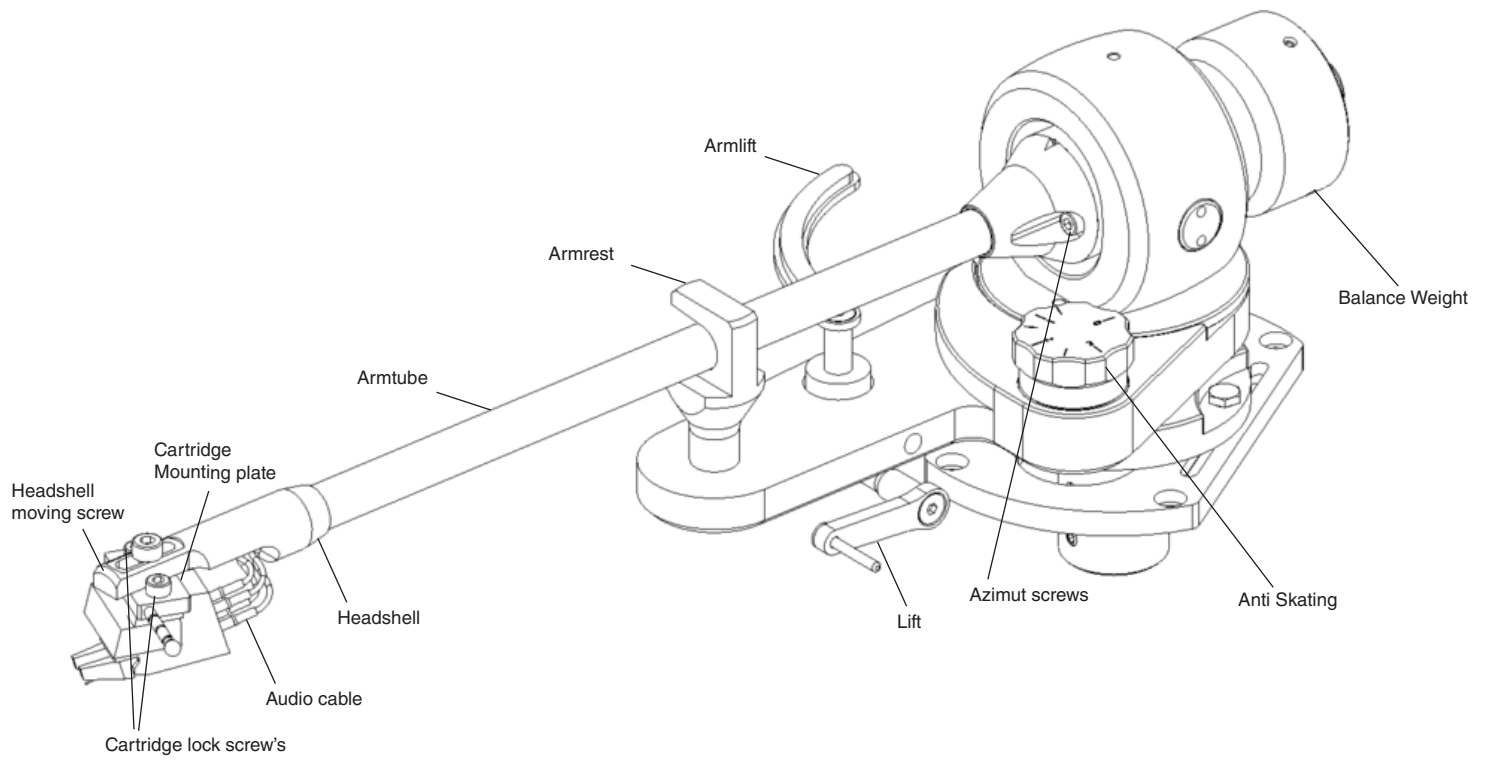
TA-2000 10 Inch

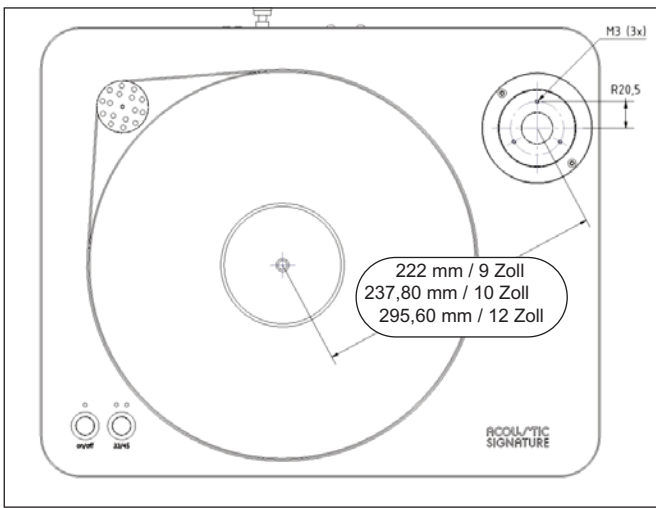
TA-2000 12 Inch

offering pivot to Stylus dimensions covering virtually all turntable requirements.

These arms offer at reasonable cost outstanding built quality with all the most important features including azimuth adjustment, high precision ball bearings.

## Parts identification



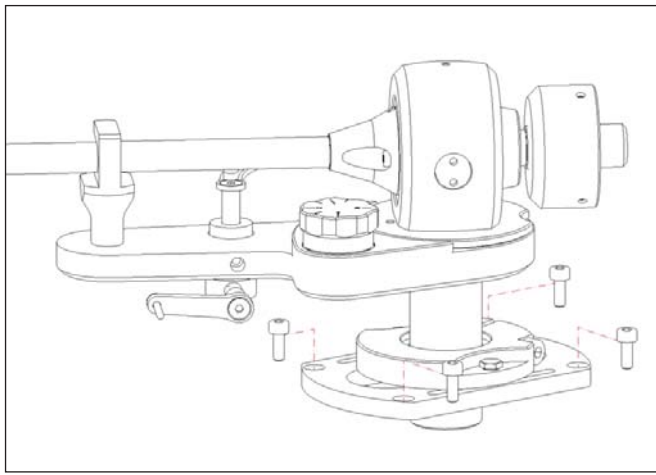


## 1. Preparing the arm mounting board

To mount the TA 2000 tonearm your turntable needs to have a 23mm thru hole combined with 3 M3 thread's around it at the Radius of 20.5mm (see drawing). Rega Dimension. SME versions are also offered.

Ensure that the thread's are positioned as showed in the drawing. The distance of the center hole to the middle of the platter must be:

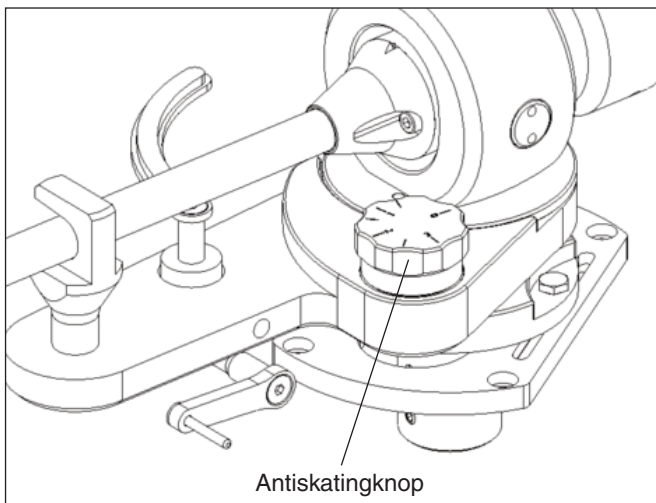
222 mm for the 9 inch version 237,80mm for the 10 inch version  
295,60 mm for the 12 inch version



## 2.2. Fitting the arm SME type

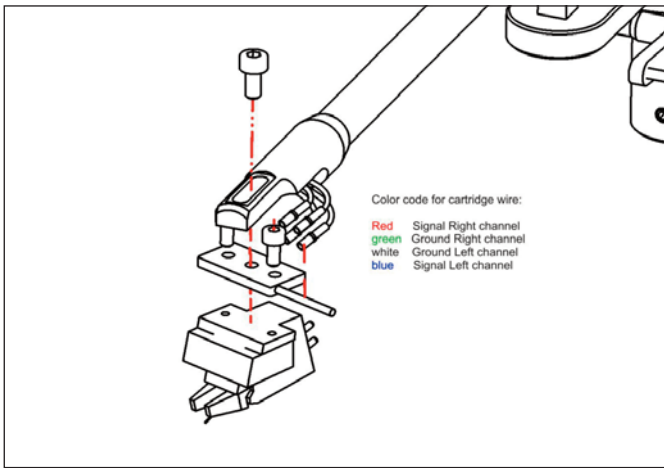
Take the provided 4 screws and put them into the marked 4 holes. Use the provided allen key to tighten the screw's.

To get easier access to the holes it might be helpful to turn the armtube so the holes are free, or take the arm out and assemble the armbase first.



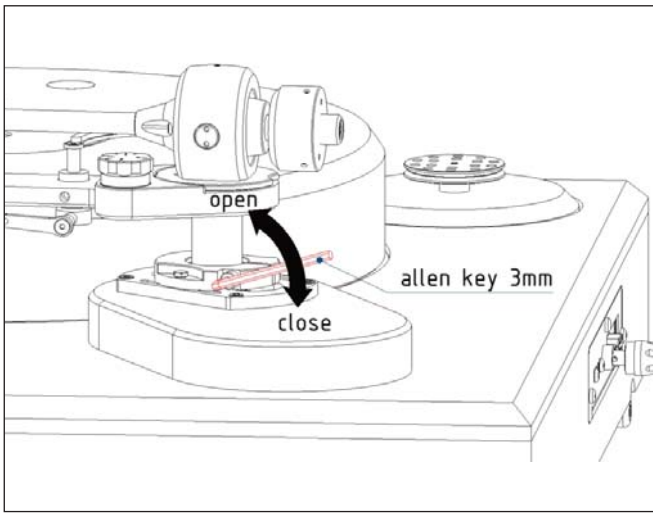
## 3. Antiskating

To adjust the Antiskating use the Antiskating Adjustment knob and adjust the correct value by turning.



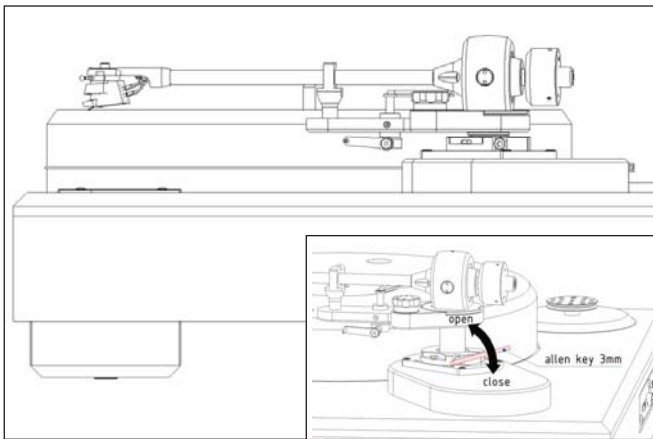
#### 4. Mounting the cartridge

Please take a look at the assembly drawing to mount your cartridge to the tonearm. We use a headshell to mount your cartridge on. Use the provided screw's of the cartridge or the 2 pcs. M2.5 screws we supply with the tonearm. Mount your cartridge to the plate and then connect the audio cable pin's to your cartridge. Take care for the correct color. Then use the provided M3 Screw to attach the assembly to the head-shell.



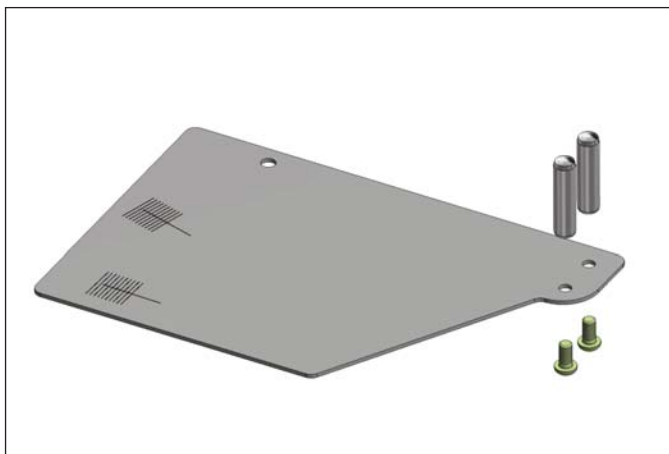
#### 5. Prepare adjusting the cartridge

Before we start aligning the cartridge we we need to pre adjust the Tracking force and the height of the tonearm. Tracking force will be adjusted by turning the counter weight forward (more weight) or backward (for less weight). Search the manual of your cartridge for the right value and adjust it by using a weight scale (not provided). After you have done the setup of the Tracking force please tighten the 3 small screws to fix the position of the weight.



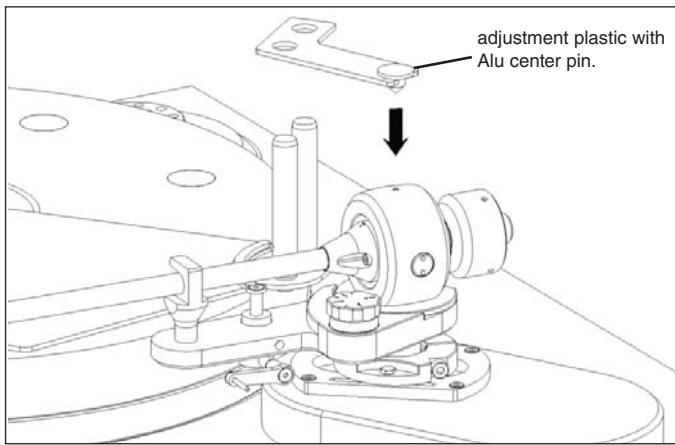
#### 5.1 Prepare adjusting the cartridge

Adjust the arm height with cartridge fitted, is either level or slightly low at the front end. You can do this by opening the red marked screw with the provided allen key. Open it carefully adjust the needed height and tighten the screw softly. Check if height is ok - if not redo the adjustment. Be aware the when opening the screw the arm might fall down!



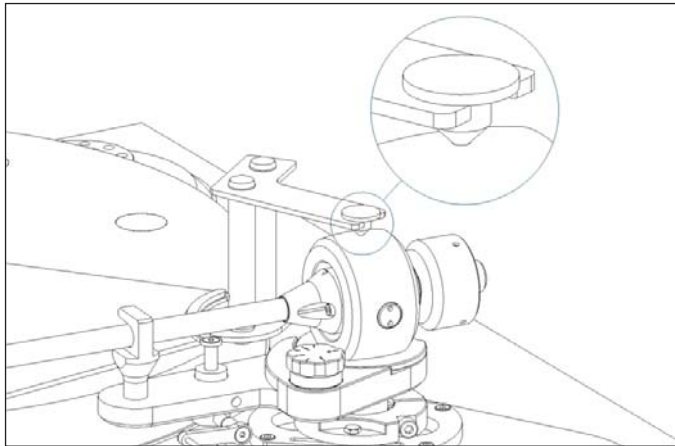
#### 6. Adjusting the cartridge

This is done by using the provided adjustment template. Take the template and assemble it as shown and place it on the platter. Some units also come pre assembled.



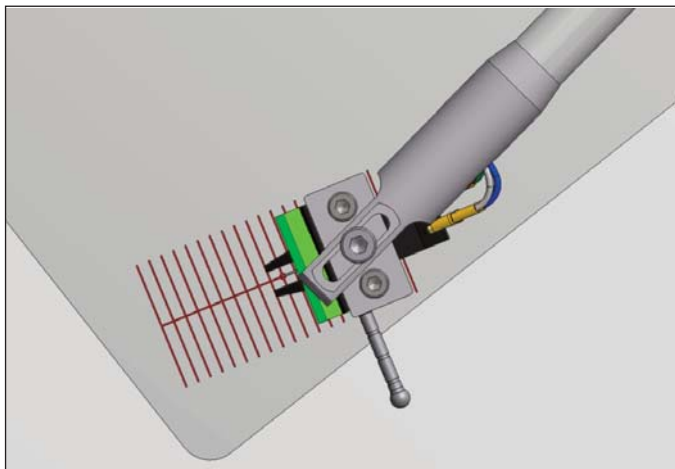
### 6.1 Adjusting the cartridge

Use the plastic (shown in the left picture ) piece and place on top of the 2 metall pillars facing the Alu center pin downwards. Move the arm forward or backward so the center pin is exactly fitting into the small drilled marking on top of the arm. tighten the arm if this position is exactly matching. This ensures your template is in the correct angle for adjusting the cartridge and the distance of the arm related to the middle of the platter is correct.



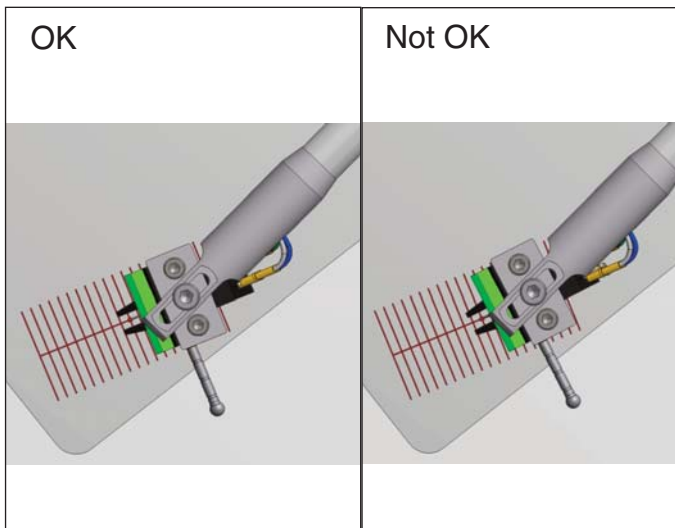
### 6.2 Adjusting the cartridge

Make sure to use it in the exact orientation as shown in the pic. This ensures your template is in the correct angle for adjusting the cartridge. The front Pin of the Alu part needs to be exactly in the center hole of the tonearm.



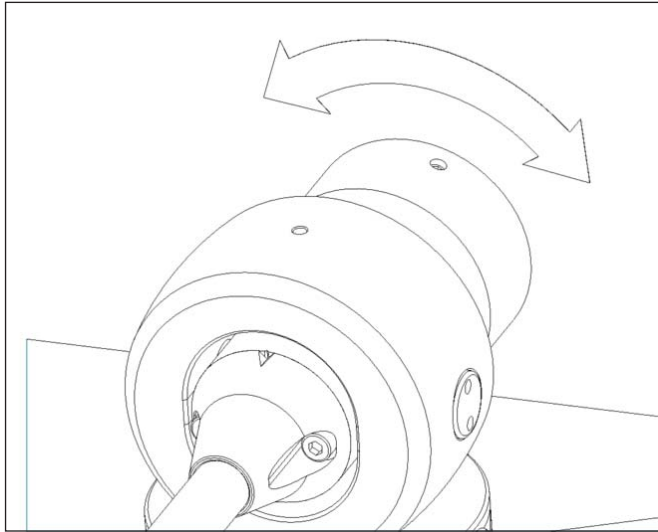
### 6.3 Adjusting the cartridge

Lift down the cartridge and place the diamond tip of the cartridge on the reference point of the alignment gauge and make sure that the edges of the cartridge are absolutely parallel to the marking lines printed on the cartridge alignment gauge. For that adjustment it is necessary to take a look directly from the top on the tonearm and the alignment gauge. We suggest to align only to the inner point of the alignment gauge!



### 6.4 Adjusting the cartridge

Please make also sure that the leading edge of the cartridge is parallel to the marker lines of the cartridge alignment gauge and the needle is exactly in the reference point. If not correct it by moving forward and backward and changing the angle. Fix the right position through looking the screw on the top.



## 7. Longitudinal balance

Position the arm so that it is clear of the armrest and the cartridge is clear of the turntable. Move the lift into the low position. Balance the arm by rotating the weight to move it backwards or forwards as required to make the arm float around its zero point.

The tracking force weight has 3 screws around its circle to fix the position. Make sure to tighten the screws only very very soft.

| TA-2000 technical DATA               |                           |                           |                           |  |
|--------------------------------------|---------------------------|---------------------------|---------------------------|--|
| Länge                                | 9 inch                    | 10 inch                   | 12 inch                   | Length                                   |
| Justierbare Tonabnehmer              | 4 g - 16.0 g              | 4 g - 16.0 g              | 4 g - 16.0 g              | Cartridge balance range                  |
| Nullpunkte                           | 61.0mm                    | 61.0mm                    | 61.0mm                    | Zero Point inner DIA                     |
|                                      | 121.0mm                   | 121.0mm                   | 121.0mm                   | Zero Point outer DIA                     |
| Signalkabel                          | 1.5m direct wire/or 5 pin | 1.5m direct wire/or 5 pin | 1.5m direct wire/or 5 pin | Singal Cable                             |
| Überhang                             | 15                        | 16,2                      | 12,56                     | Overhang                                 |
| Gesamtlänge                          | 252                       | 270,2                     | 330,66                    | Total length                             |
| Effektive Tonarmlänge                | 237                       | 254                       | 318,1                     | Effective length                         |
| Abstand (Mitte Tonarmlager zu Mitte) | 222 mm                    | 237,8 mm                  | 295,6 mm                  | Distance (Distance from pivot to stylus) |
| Kröpfungswinkel                      | 22.00 °                   | 21,60 °                   | 17,30 °                   | Tilt Angle                               |
| Eff. Masse                           | 9,6 gr                    | 10,0 gr                   | 12,6 gr                   | Effective mass                           |
| Gewicht                              | 546 gr                    | 556 gr                    | 560 gr                    | Total weight                             |
| Tonarmaufnahmebohrung                | Rega Style / or SME       | Rega Style / or SME       | Rega Style / or SME       | Tonarm mounting                          |

ACOUSTIC  
SIGNATURE

Teutonic engineering.

Acoustic-Signature  
Made by AS-Distribution GmbH  
Hillenbrand Straße 10  
D-73079 Süssen  
Tel: +49 7162 9474450  
Fax: +49 7162 9474459  
[www.acoustic-signature.com](http://www.acoustic-signature.com)  
E-Mail: [info@as-distribution.de](mailto:info@as-distribution.de)