



Loving music

# Emotion SE Second Edition

---

**User manual**  
**Bedienungsanleitung**



Emotion SE

**Made in Germany**

---

Hi-Fi Components **clearaudio<sup>®</sup> electronic GmbH**

Spardorfer Str. 150 • D-91054 Erlangen • Tel. +49 9131 40300100 • FAX +49 9131 40300119  
[www.clearaudio.de](http://www.clearaudio.de) • [www.analogshop.de](http://www.analogshop.de) • [info@clearaudio.de](mailto:info@clearaudio.de) • copyright clearaudio© 2013

Version Dezember 2013



Loving music

# ***Emotion SE***

User manual / Bedienungsanleitung

Dear **Clearaudio** customer,

Congratulations to your choice of the *Emotion SE*-turntable, a world class turntable, made by **Clearaudio** electronic GmbH.

A resonance minimized shape in combination with a stand alone motor unit, guarantees total isolation of resonances from the turntable chassis, providing the best music reproduction and authentic High End imaging. A high precision, patented **Clearaudio** - CMB-bearing-technology is completing the analogue pleasure.

Please read this instruction carefully, to avoid any damages or loss of warranty.

These instructions will help you with an easy set-up and guarantee the highest pleasure for a long time.

We wish you a lot of musical enjoyment with your new **Clearaudio** *Emotion SE*-turntable.

**Clearaudio** electronic GmbH

## **CE-MARKING**

**CE** The **Clearaudio** *Emotion SE* meets the regulations concerning electromagnetic disturbance (EMC) and low-voltage appliances.

## **COPYRIGHT**

Recording und reproduction of any sound-material may require the consent of the creator. Please acknowledge the information given in the

- Copyright Act 1956,
  - Dramatic and Musical Performers Act 1958,
  - Performers Protection Acts 1963 and 1072,
- any more recent legal regulations.



---

<b>User manual</b>	<b>3 – 15</b>
<b>Bedienungsanleitung</b>	<b>16 - 31</b>

## **Contents**

### **Page**

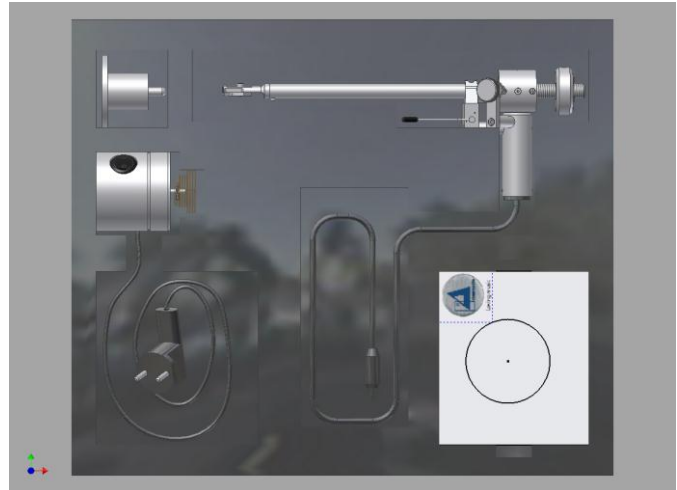
<b>1. Packing overview</b>	<b>3</b>
<b>2. Packing contents</b>	<b>4</b>
<b>3. Installation and set up</b>	<b>6-13</b>
<b>4. Service</b>	<b>14</b>
<b>5. Special information</b>	<b>14</b>
<b>6. Technical data</b>	<b>15</b>
<b>Warranty information</b>	<b>31</b>

## 1. Packing overview

### 1. Layer (top):

**Motor-unit, motor-base (not shown) top of bearing, belt, pulley, fittings and accessories.**

**If ordered as package:  
Clearaudio Satisfy Carbon tonearm  
and/or Clearaudio pickup**



### 2. Layer (middle):

**Turntable – chassis with integrated lower bearing part**



### 3. Layer (bottom):

**Platter**



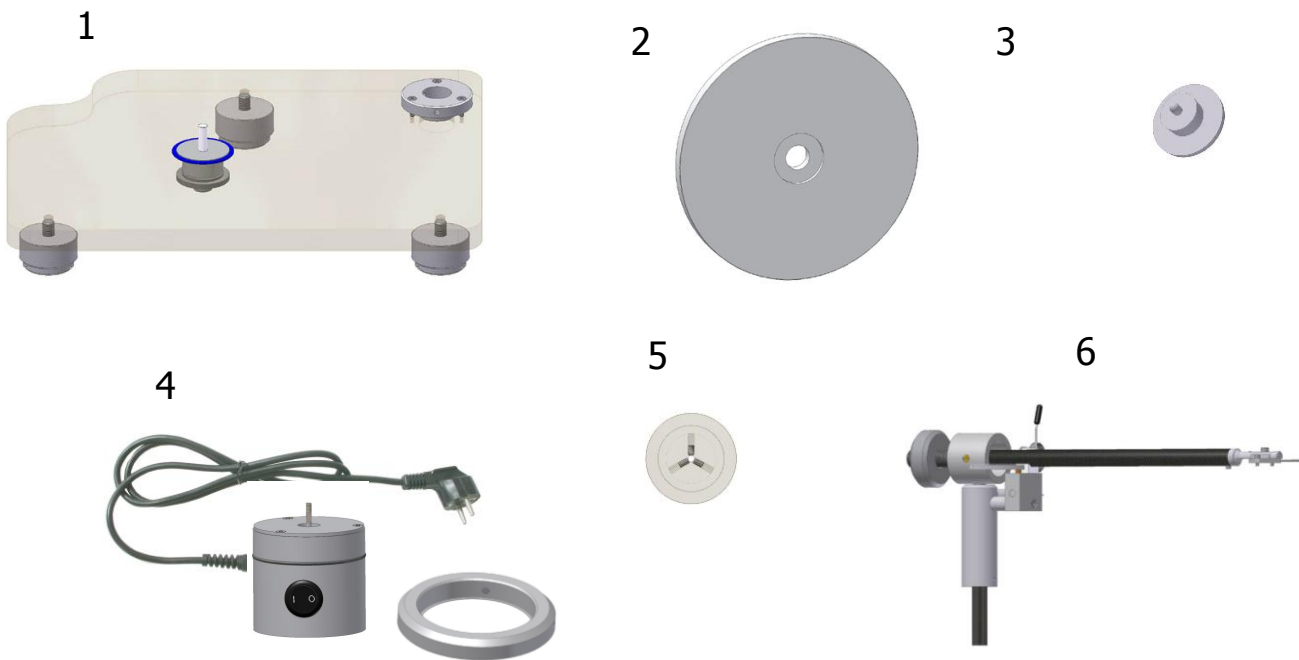
**Pic. 1:** Packing overview

## 2. Packing contents

**Clearaudio** has developed a special and secure turntable packing to prevent your *Emotion SE* – turntable from any transportation damage.

Please store this original packing, in case you need to ship the turntable.

Below you can find the content of delivery of your **Clearaudio** *Emotion SE*- turntable:



1	Turntable chassis with mounted lower bearing part, tonearm base and height adjustable feet	2	Turntable-platter
3	Bearing (upper part) with adjusted bearing shaft	4	Motor drive unit with main lead and motor base
5	Acrylic motor pulley	6	Optional: <b>Clearaudio</b> Satisfy Carbon tonearm directwired, when ordered as a package



Loving music

# Emotion SE

User manual / Bedienungsanleitung

7



8



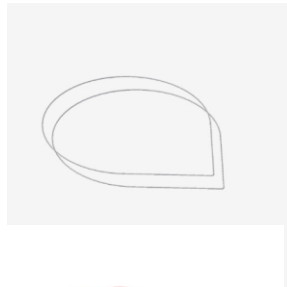
9



10



11



12



13



14



15



7	1 Pair of white gloves	8	Grounding - wire for the <i>Emotion SE</i> -turntable
9	<b>Clearaudio</b> logo, self - adhesive	10	Level gauge for the turntable alignment
11	2 pcs. drive belt ( 2 x 292 mm)	12	3 pcs. allen – key (sizes: 1.5 / 2.5 / 3)
13	Aluminium precision screw driver	14	Bearing oil
15	<b>Clearaudio</b> Smart Stylus Gauge (without cartridge)	16	No illustration: User Manual
17	No illustration: warranty card, Clearaudio Quality Certificate and return delivery note, sales return paper	18	No illustration: <u>Optional:</u> <b>Clearaudio</b> MM Cartridge and Smart stylus gauge; only delivered when ordered as a package

## 3. Installation and set up

The set up and installation of the *Emotion SE* is done quickly and very easy. Please use the white gloves during this procedure, to avoid scratches.

### 1.)

You should consider a safe and clean working area for the installation, as near as possible to the final position of the *Emotion SE*-turntable.

First take out the motor and tonearm of the packing. Now you should take out the first packing layer. After that you can take out the *Emotion SE* - turntable chassis from the next packing layer. Place the turntable body on a clean underlay.

**To avoid any damages to your bearing, the turntable platter should achieve room temperature before the set up begin (approx. 20 ° Celsius).**

### 2.)

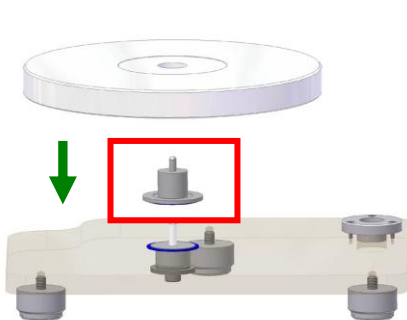
Take the upper bearing part and place it on the lower bearing part, which is already integrated in the chassis (picture 2).

### 3.)

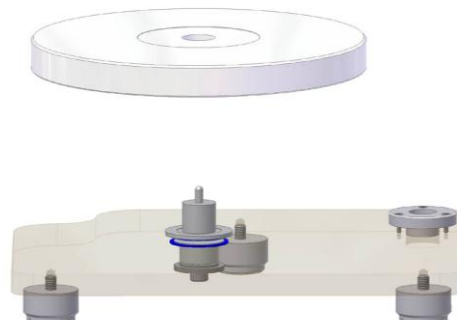
Place the platter with both hands carefully onto the bearing.

Through a lightly (!! ) up and down movement the platter will slip onto the bearing upper part (picture 3).

**Avoid major side force to prevent any damages to the ceramic bearing!**



**Pic. 2:** Placing the bearing



**Pic. 3:** Placing the platter

Make sure with gentle pressure that the platter is applying on the complete surface of the bearing.

## 4.) Alignment of the turntable

**The following adjustment is very important!**

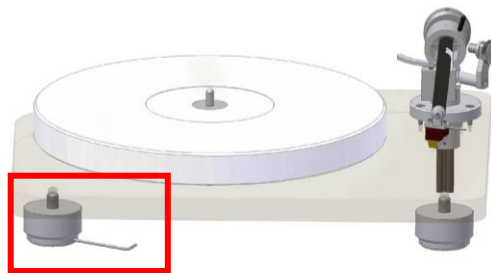
Place the **Clearaudio** level gauge on the platter (see pic. 4) and bring the turntable in level by turning the corresponding feet in the right direction.



**Pic. 4:** Alignment of the turntable

The turntable is in level, when the air bubble in the level gauge is in the center.

Adjust the height of the turntable by turning the feet counter wise with the delivered allen key (shown in picture 5).



**Turning counter wise**

**Pic. 5:** Height adjustment

Only if the turntable is proper aligned you will receive the best possible sound.



## The following instructions are for Emotion SE packages.

If you use a tonearm and / or cartridge from different manufacturer please follow the instruction manual of the particular manufacturer.

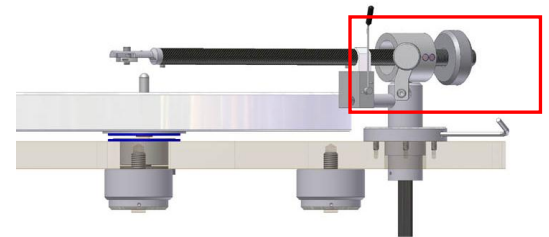
### 3.1. Tonearm set – up

#### 1.)

Take the *Satisfy Carbon* -tonearm and slide first the signal cable and then the tonearm shaft into the hole of the tonearm base at the right upper corner of the *Emotion SE* - turntable chassis. Please ensure that the tonearm tube is parallel to the side edge of the chassis turntable.

Tighten the tonearm only slightly with the provided allen wrench and screws.

Before you finish the tonearm-set up, please proceed with the cartridge set-up.



**Pic. 6:** Set up of the tonearm

The correct height adjustment that is going to be used for the tonearm is depending on the cartridge you install.

#### 2.)

For the next steps, please mount your cartridge on your tonearm (optional as a package: Clearaudio *Satisfy Carbon* tonearm) . Please leave the stylus protector on the cartridge. Use the manufacturer's instruction manual during this installation procedure and follow the appropriate instructions.

The headshell wires (cartridge connection leads) are colour coded according to the international standard :

Colour code of the Satisfy Carbon tonearm wire:

Signal left channel (L+)	→	white
Signal ground left channel (L -)	→	blue
Signal right channel (R+)	→	red
Signal ground right channel (R -)	→	green



**Please pay attention on every step to avoid any damages to the cartridge!**

Now adjust the tracking force of the cartridge.

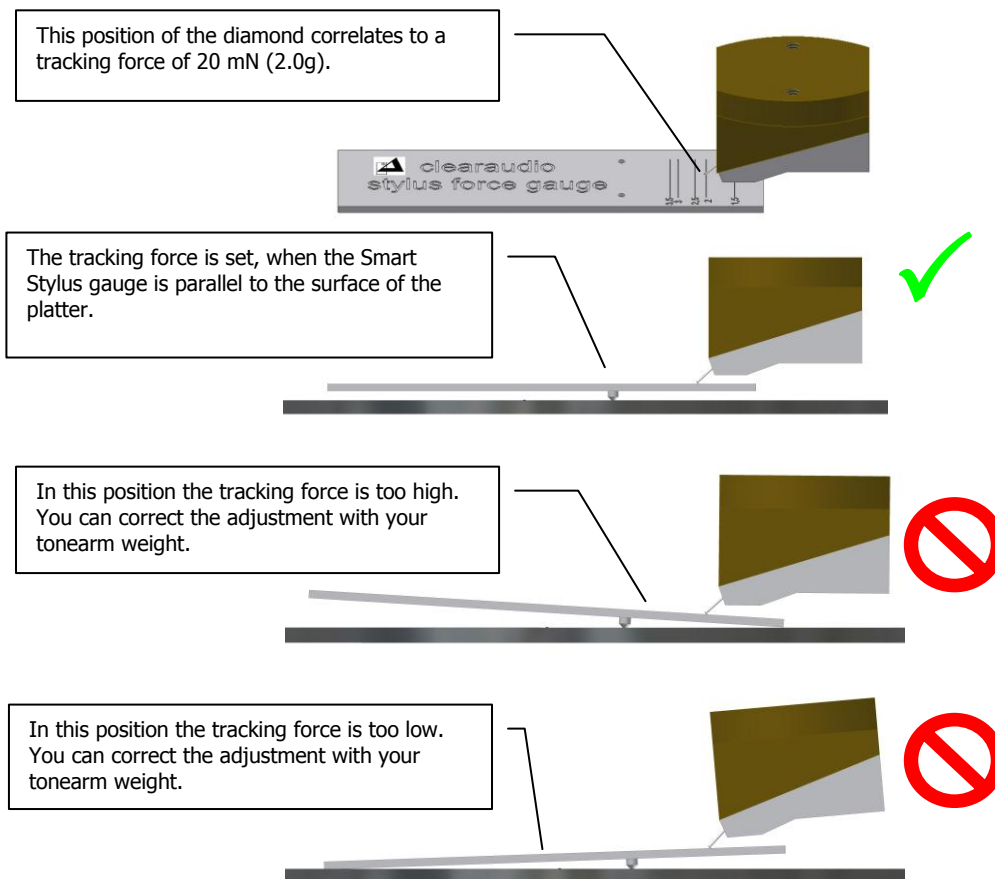
Please follow the instructions according the manual of the cartridge you use.

If you are using a **Clearaudio** Moving Magnet cartridge you can adjust the tracking force or the wiring of the tonearm (about 20 mN), by turning the tonearm`s counter weight on the threaded bolt (backside view of the tonearm).

### 3.)

For a more comfortable adjustment, please take the delivered "Smart Stylus gauge" (only in the Emotion SE package with tonearm and cartridge) and adjust the tracking force by using the gauge.

Please place the Smart Stylus gauge on the platter and put the cartridge on the fine line which is marked with the recommend tracking force for your cartridge (e.g. **Clearaudio** MM cartridge 20 mN (2.0 gram)).



**Pic. 7:** Use of the Smart Stylus gauge

If you would like even more professional set up tools, you can also use other tools like the **Clearaudio Weight Watcher** gauge (Art. No. AC094).

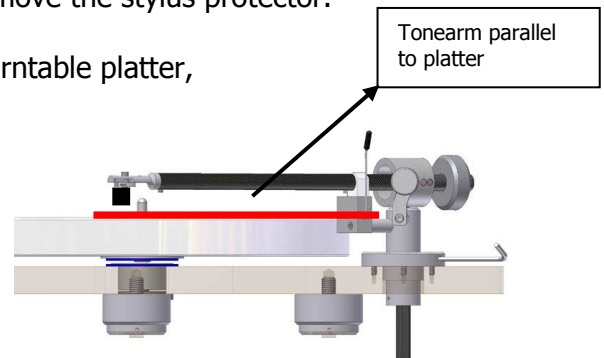
For more information on that, please contact your specialist dealer or directly **Clearaudio** [www.analogshop.de](http://www.analogshop.de).

For contact address see page 14.

## 4.)

For the next settings, place any LP on the platter and remove the stylus protector.

If you now lift down the cartridge to the middle of the turntable platter, you must see (from the side) that the lower edge of the tonearm tube is parallel to the surface of the record. You can use the tonearm tube as orientation.



**Pic. 8:** Setting the VTA

If it is necessary you can adjust the height of the tonearm (VTA).

For that you have to move the tonearm in the chassis's hole in the right direction (up and down). Fix the tonearm in its correct position by locking the allen screw in the tonearm base.

## 5.) Azimuth adjustment

If you now lift down the cartridge again and take a look at the front side of the cartridge. You have to make sure that the upper edge of the cartridge is parallel to the record surface. This adjustment had been set up perfectly by **Clearaudio**. Only if it is necessary, you can adjust the cartridge position, while carefully screw the small allen screw on the bottom side of the tonearm tube near the headshell (**Caution: please don't unscrew the allen screw completely**). Now you can twist the headshell with the mounted cartridge around his roll-axis. To achieve the most precise adjustment you can use a set square. If you have found the right position you can carefully lock the small allen screw without changing the position defined before.

**Don't twist the headshell when the cartridge is lifted down and the diamond tip is on the record. It is necessary to lift the tip from the record, before you can check the position again.**

## 6.)

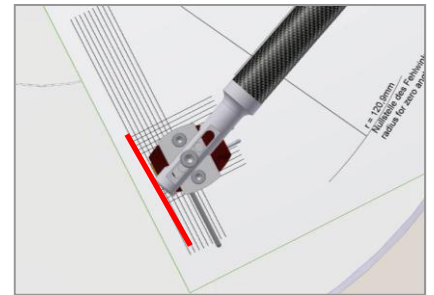
For the final set-up of the tonearm, you need the cartridge alignment gauge which is included as well. Slide the gauge over the spindle of the turntable platter and turn the platter into the position as shown in the picture 9.



**Pic. 9:** Alignment of the cartridge

Lift down the cartridge and place the diamond tip of the cartridge on the reference point on the alignment gauge and make sure that the edges of the tonearm tube and the cartridge are absolutely parallel to the marking lines printed on the cartridge alignment gauge.

For that adjustment it is necessary to take a look directly from the top on the tonearm and the alignment gauge.

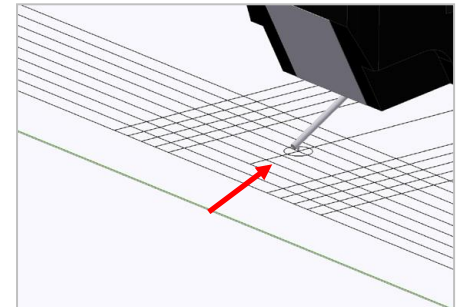


**Pic. 10:** Top view: cartridge body aligned to the printed lines

If you have to change the position of the diamond tip you can unscrew the allen screw on the top of the tonearm`s headshell and move the cartridge into the corresponding position. Please make also sure that the leading edge of the cartridge is parallel to the marker lines of the cartridge alignment gauge. Fix the right position through looking the headshell screw on the top.

**During final tonearm and cartridge installation, always take a look from the top onto the alignment gauge, to avoid any parallax errors.**

The installation is done correctly, when at the same time the armtube is parallel to the marking lines on the gauge, the diamond tip is on the reference point and the leading edge of the cartridge is parallel to the lines on the gauge. Finally lock all screws that had been involved during the adjustments. Now you are ready for the anti-skating adjustment. This also depends on the tracking force of the cartridge and the diamond shape.

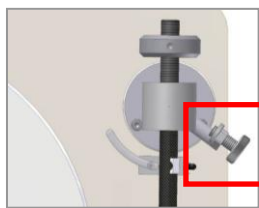


**Pic. 11:** Correct installation

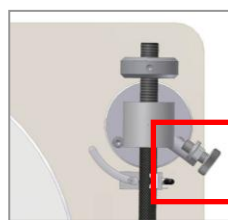
After setting up the cartridge, please tighten the tonearm in its base to fix it in this position.

## 3.2 Adjustment of the Antiskating

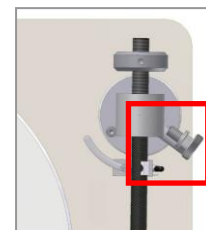
alignment of the antiskating	tracking force	position of the antiskating-screw
minimal antiskating	10 – 15mN	see illustration 1
medium antiskating	15 – 20mN	see illustration 2
maximum antiskating	20mN and more	see illustration 3



**Illustration 1 : Minimal antiskating (Screw is almost removed)**



**Illustration 2 : Medium antiskating (Screw is at half position)**



**Illustration 3 : Maximum antiskating (Screw is screwed in)**

**Pic. 12:** Antiskating adjustment

## 3.3 Setting-up of the motor

Take the motor-pulley out of the accessory bag and shift the motor pulley as far as on the motor's shaft until you have a distance of approximately 1 mm between the upper edge of the motor and the lower edge of the pulley. Now tighten the three screws in the pulley one after the other with the precision screw driver.



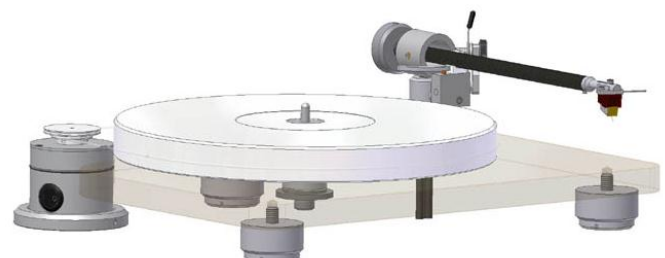
**Pic. 13:** Mounting the pulley

Now place the motor unit into the stainless steel motor stand and fix the motor with the two screws on the side of the motor stand. Place the motor unit into the cut out on the left side of the turntable chassis and pay attention, that the switch of the motor faces outside.

Now you can connect the power cord to your power outlet.

Place one drive belt around the platter and around the pulley.

The smaller diameter of the pulley is used for 33 1/3 rpm and the larger diameter for 45 rpm. The position „I” on the motor-switches the motor on.

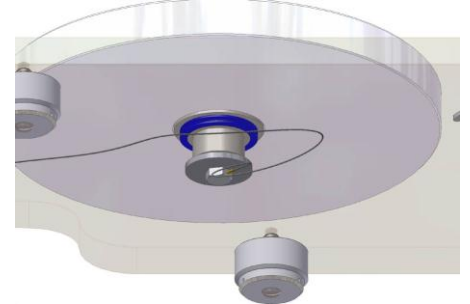


**Pic. 14:** Drive belt mounting

Before first use, let the turntable run in for the first 15 to 30 minutes.

Now connect your *Satisfy Carbon*- tonearm with the phono input of your phono-preamplifier. You can find more information on adequate phono-preamplifiers and interconnects on our Website: [www.clearaudio.de](http://www.clearaudio.de)

Only if you have static problems with your record, then it is necessary to ground your bearing. Please connect the ground wire with the bearing on the upper side of the chassis (see pic. 15).



**Pic. 15:** Connecting the ground wire to the turntable

The set up is now completed.

## Please pay attention!

If the *Emotion SE* is a longer time not in use, please switch the turntable on the main switch on the motor completely off!

You will find the main switch on the motor (see picture):



**Pic. 16:** Main switch

I = ON  
O = OFF

We wish you a lot of pleasure with your new *Emotion SE* - turntable.

Your **Clearaudio**-team



Loving music

# **Emotion SE**

User manual / Bedienungsanleitung

## **4. Service**

In case of any necessary service for all **Clearaudio** products should be done by authorized personal only.

In case of any repair, the Clearaudio *Emotion SE* - turntable needs to be send to your nearest authorized dealer or directly to the **Clearaudio** factory.

Clearaudio electronic GmbH

Spardorfer Str. 150  
91054 Erlangen  
Germany

Tel/Phone: +49 9131 40300100

Fax: +49 9131 40300119

[www.clearaudio.de](http://www.clearaudio.de)

[www.analogshop.de](http://www.analogshop.de)

[info@clearaudio.de](mailto:info@clearaudio.de)

Send / ship the *Emotion SE*-turntable always and only in the original packing !!!

Only in the original packing **Clearaudio** can provide the warranty.

If you repackage the turntable, please make all steps inverted like at installation and set up (chapter 3)

## **5. Special information**

To achieve the full **Clearaudio** warranty, it is necessary that you fill out and send the corresponding part of the warranty registration card back to **Clearaudio**, within two weeks after purchase. Only if the product is returned in it's original packing **Clearaudio** can provide the warranty.

**Transportation advice:** If any transportation of the *Emotion SE* - turntable should be necessary, please always remove the turntable platter. Otherwise serious damage can occur! The bearing hole needs to be covered as well, to avoid any dust coming into the bearing. Always take of the pulley of the motor unit as well, to prevent the motor shaft from any damages.

If the *Emotion SE* - turntable is a longer time not in use, please disconnect the motor from the mains supply.

Every twelve months you can lubricate (only if you will recognize speed variations) the bearing of the turntable platter with the delivered oil. In this case it is enough to put 4 or 5 drops of the oil into bearing.

Please take special caution to any damages of the power cord. Any damages should only be repaired only by authorized personal. A damaged power cord must be exchanged immediately!

**Caution ! Please use only non alcoholic fluids and only fluids specially used for acrylic, to clean the *Emotion SE* - turntable. Otherwise could occur damage to the material or the surface!!!**

## 6. Technical data

<b>Construction principle:</b>	Resonance optimised chassis shape, belt driven
<b>Speed possibilities:</b>	33 1/3 rpm / 45 rpm (78 rpm with optional motor pulley)
<b>Drive unit:</b>	Decoupled synchronous motor embedded in a massive metal-housing
<b>Bearing:</b>	Patented, Inverted bearing and polished ceramic axle, incl. CMB-magnetic-bearing-technology
<b>Platter:</b>	GS-PMMA acrylic, precision CNC machined surface
<b>Speed variation:</b>	±0.2 %
<b>Power consumption:</b> <b>Max. consumption:</b> <b>Consumption in operation:</b> <b>Off mode:</b>	2.0 Watt 1.6 Watt 0.0 Watt <b>(if main switch is in "O" position)</b>
<b>Weight:</b>	Approx: 7 kg (incl. Motor)
<b>Dimensions:</b>	Approx. 400 mm x 320 mm x 80 mm
<b>Warranty:</b>	3 years* (see page 31)

\* Only if the warranty card is filled out correctly and sent back to **Clearaudio within 14 days**. Please see page 31!

**Clearaudio** electronic is not responsible for typographical errors in descriptions. Technical specifications subject to change or improvement without prior notice. Availability as long as stock lasts. Copies and imprints- also only in extracts – require written conformation through **Clearaudio** electronic GmbH; Germany  
©clearaudio 2013

Stand: December 2013



Sehr verehrte **clearaudio** – Kundin, sehr verehrter **clearaudio** - Kunde,

Sie haben sich für ein **clearaudio** *Emotion SE* - Laufwerk entschieden, ein hochwertiges Produkt der **clearaudio** electronic GmbH.

Resonanz - reduzierende Formgebung in Verbindung mit einer ausgelagerten Motoreinheit garantieren absolute Laufruhe, originalgetreue Wiedergabe und somit ein echtes Musikerlebnis. Eine hochpräzise, von **clearaudio** patentierte CMB -Lagertechnologie sorgt für reibungslosen Analoggenuss.


Um die volle Qualität des *Emotion SE* - Laufwerkes nutzen zu können, lesen Sie bitte diese Bedienungsanleitung aufmerksam durch. Alle Hinweise dienen dazu, Ihnen viele Jahre ungetrübten Musikgenuss zu bereiten und Fehlbedienungen zu verhindern.

Wir bedanken uns für Ihr Vertrauen und wünschen Ihnen viel Freude mit Ihrem neuen **clearaudio** *Emotion SE*-Laufwerk.

**clearaudio** electronic GmbH

Lesen Sie diesen Abschnitt in jedem Fall, bevor Sie ein Gerät an das Stromnetz anschließen.

## CE-MARKIERUNG

 Der **clearaudio** *Emotion SE* entspricht den Bestimmungen über elektromagnetische Störfreiheit (EMC) und denen über Niederspannungsgeräte.

## GERÄTENETZEINSTELLUNG

Ihr **Clearaudio**-Produkt wurde so konstruiert, dass es den Sicherheitsbestimmungen in Ihrer Region genügt. Dieses Produkt kann nur mit 230 V / 50 Hz Wechselstrom betrieben werden.

## URHEBERRECHT

Aufnahme und Wiedergabe jeglichen Tonmaterials kann die Zustimmung des Urhebers erfordern. Beachten Sie dazu folgende Informationsschriften.

- Copyright Act 1956 (Urheberrechtsgesetz 1956)
- Dramatic and Musical Performers Act 1958 (Gesetz über dramatische und musikalische Aufführungsrechte, 1958)
- Performers Protection Acts 1963 and 1972 (Künstlerschutzgesetze von 1963 und 1972)
- Sämtliche nachfolgende gesetzliche Verfügungen und Bestimmungen.

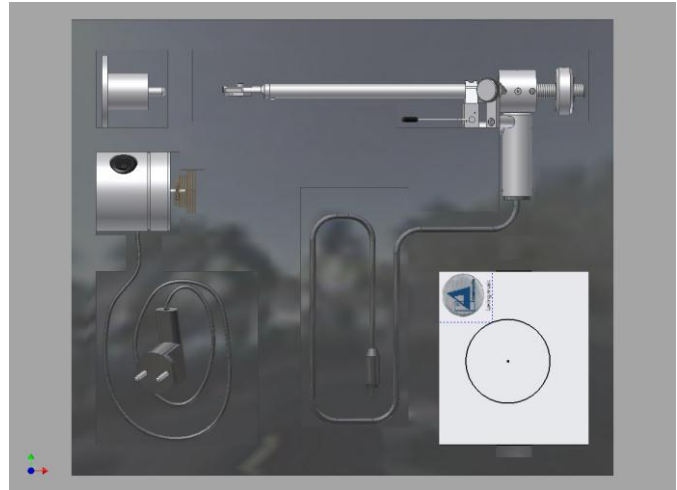
## **Inhaltsverzeichnis**

	<b>Seite</b>
<b>1. Verpackungsübersicht</b>	<b>18</b>
<b>2. Lieferumfang</b>	<b>19</b>
<b>3. Aufbau und Inbetriebnahme</b>	<b>21-28</b>
<b>4. Service</b>	<b>29</b>
<b>5. Besondere Hinweis</b>	<b>29</b>
<b>6. Technische Daten</b>	<b>30</b>
<b>Garantie – Informationen</b>	<b>31</b>

## 1. Verpackungsübersicht

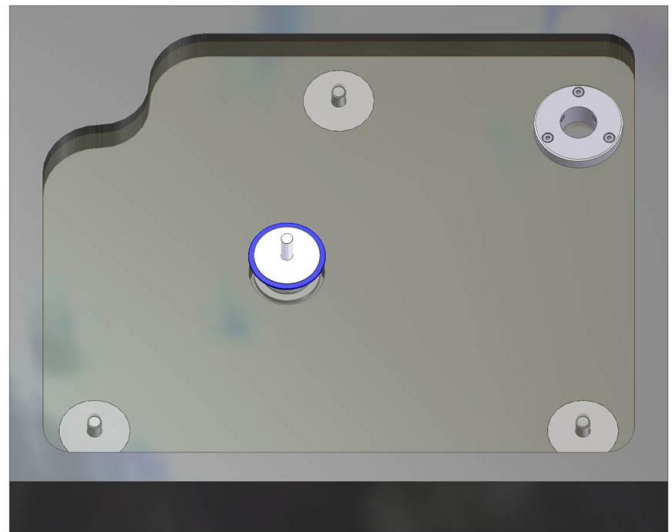
### 1. Etage (Karton oben):

**Motoreinheit, Motorbasis (nicht abgebildet) Lageroberteil, Antriebspulley, Zubehör  
Sofern Emotion SE im Paket bestellt:  
clearaudio Satisfy Carbon (dw)  
Tonarm und/oder Clearaudio  
Tonabnehmer**



### 2. Etage (Karton mittig):

**Plattenspielerkörper mit Lagerunterteil**



### 3. Etage (Karton unten):

**Plattenteller**

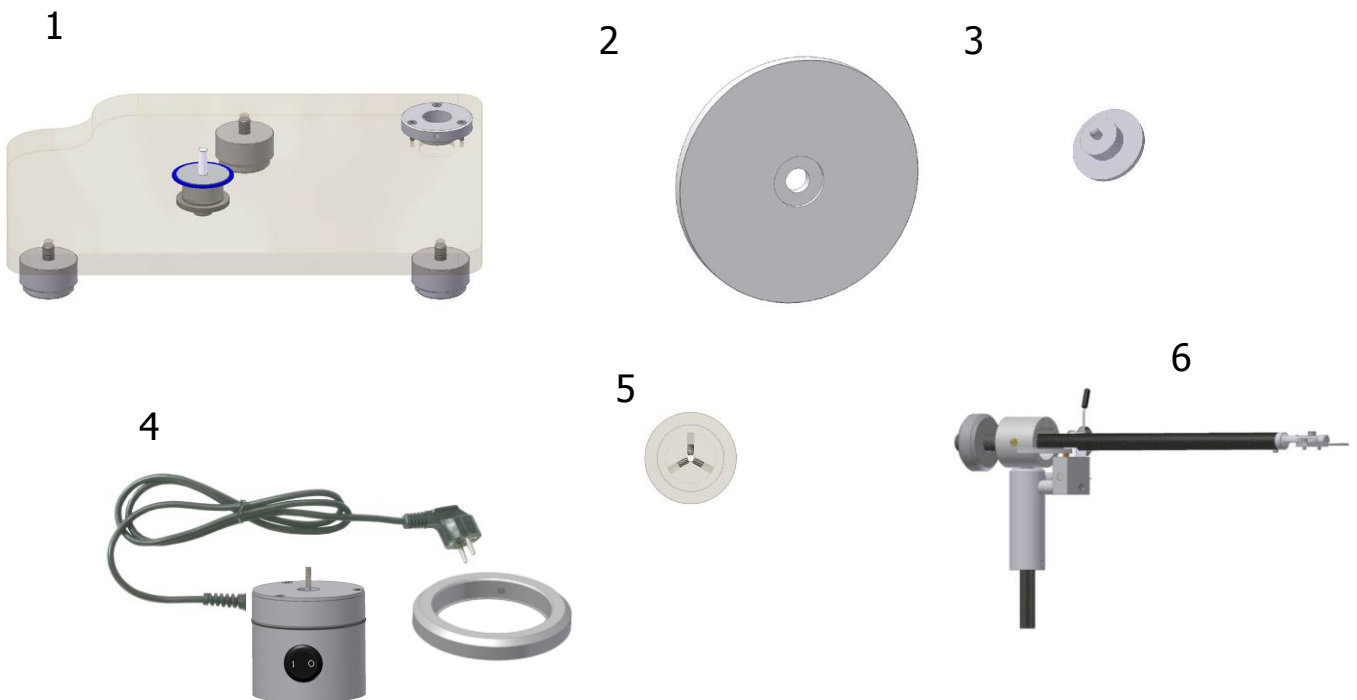


**Abb. 1:** Verpackungsübersicht

## 2. Lieferumfang

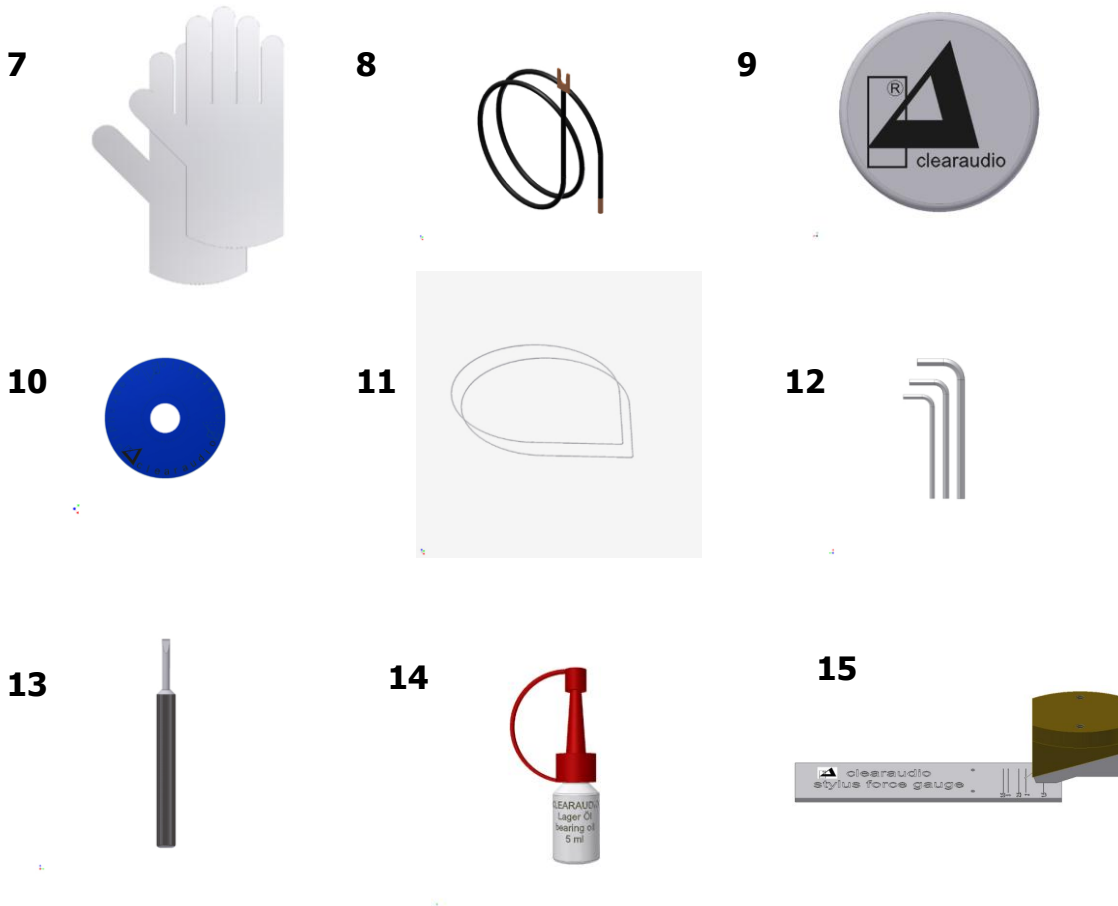
Das **clearaudio** *Emotion SE* Laufwerk verlässt unsere Fertigung in einer besonders sicheren und eigens für dieses Laufwerk konzipierten Verpackung. Bewahren Sie diese Verpackung auf, um jederzeit einen sicheren Transport Ihres Gerätes zu gewährleisten.

Bitte kontrollieren Sie anhand der unten aufgeführten Liste den Lieferumfang Ihres neu erworbenen **clearaudio** *Emotion SE* - Laufwerks.



1.	Plattenspielerkörper mit eingesetztem Lagerunterteil, Tonarmaufnahme und höhenverstellbaren Füßen	2.	Plattenteller aus GS-Acryl
3.	CMB - Lageroberteil	4.	Motorantriebseinheit mit Netzzuleitung und Motorbasis
5.	Antriebsrad aus Acryl	6.	Optional im Paket: <i>Satisfy Carbon</i> Tonarm / direktverkabelt

Fortsetzung Lieferumfang:



7	1 paar weiße Handschuhe	8	Erdungskabel für das Emotion SE-Laufwerk
9	<b>clearaudio</b> -Logo, selbstklebend	10	Libelle zum Ausrichten Ihres Laufwerks
11	2 x Antriebsriemen (2 x 292 mm)	12	3 x Inbusschlüssel Größe 1,5 / 2,5 / 3
13	Feinschraubendreher aus Aluminium	14	Lageröl zur gelegentlichen Schmierung des Plattentellerlagers
15	<b>clearaudio</b> Smart Stylus Waage (ohne Tonabnehmer)	16	o. Abb.: Bedienungsanleitung
17	o. Abb.: Garantiekarte, Qualitätskarte, Rücklieferschein	18	Optional und o. Abb.: Einstellschablone zur Tonarm/Tonabnehmerjustage und Kippelwaage (Optional im Paket mit Tonabnehmer)
19	Optional im Paket und o. Abb.: Clearaudio MM Tonabnehmer		

## 3. Aufbau und Inbetriebnahme

Der Aufbau des Laufwerks ist mit wenigen Handgriffen zu bewerkstelligen. Benutzen Sie bitte zum Aufbau unbedingt die mitgelieferten weißen Handschuhe, um Kratzer zu vermeiden.

Für den Zusammenbau des *Emotion SE* benötigen Sie eine saubere und staubfreie Arbeitsfläche.

### 1.)

Nehmen Sie zuerst die obere Verpackungsebene aus dem Karton.

Platzieren Sie das Laufwerkschassis mit den höhenverstellbaren Füßen auf eine ebene und saubere Fläche.

### 2.)

**Bitte beachten Sie, dass der Plattenteller beim Aufsetzen mindestens Zimmertemperatur (ca. 20 ° C) hat, damit das Lager keinen Schaden nimmt!**

Nehmen Sie nun das Lageroberteil aus der obersten Verpackungsebene und setzen dieses auf die untere Lagereinheit, welche bereits im Chassis integriert ist, vorsichtig auf (Abb.2).

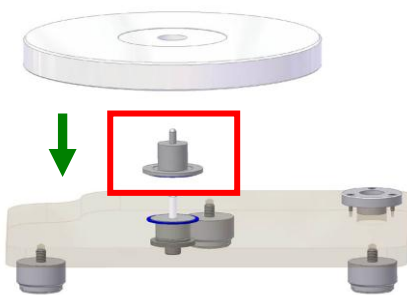


Abb. 2: Aufsetzen des Lageroberteils

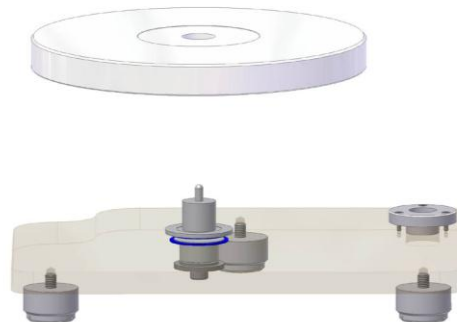


Abb. 3: Aufsetzen des Plattentellers

### 3.)

Danach nehmen Sie den Plattenteller in beide Hände und setzen diesen vorsichtig von oben auf das Lageroberteil auf. Durch leichtes Hin- und Herwippen gleitet der Plattenteller auf das Lageroberteil (Abb. 3).

**Vermeiden Sie bei diesem Schritt größere, seitliche Kräfte, da die Keramiklagerachse sonst beschädigt werden könnte!**

Mit sanftem (!) Druck von oben können Sie sicherstellen, dass der Plattenteller auf der gesamten Auflagefläche des Lageroberteils liegt.

## 4.) Ausrichten des Plattenspielers

Die folgende Einstellung ist besonders wichtig:

Nur wenn der Plattenteller genau in Waage ist, erreichen Sie das Optimum an Klang.

Nehmen Sie die mitgelieferte Libelle / Wasserwaage und legen Sie diese auf den Plattenteller.

Sollte sich die Luftblase der Wasserwaage nicht im Mittelpunkt des schwarzen Kreises befinden (siehe Abb.4), können Sie entweder durch Höhenverstellung der Laufwerksfüsse oder durch Einstellen der Unterlage das Laufwerk ausrichten.

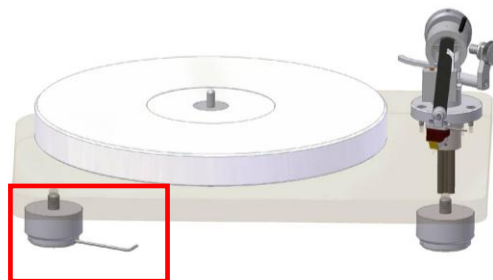


**Abb.4:** Ausrichten des Plattenspielers

Höhenverstellung der Laufwerksfüsse:

Ab Werk werden alle Laufwerksfüsse auf die Position „Null“ voreingestellt.

Drehen Sie nun das untere Teil des Fußes im Uhrzeigersinn, um die Höhe zu verstellen (Abb. 5).



**Drehung im Uhrzeigersinn**

**Abb.5:** Höhenverstellung

## Die folgenden Einstellungen beziehen sich auf die Montage eines Emotion SE – Pakets (mit clearaudio Tonarm und Tonabnehmer)

Falls Sie Fabrikate anderer Hersteller montieren wollen, nehmen Sie bitte die jeweilige Bedienungsanleitung zur Hand.

### 3.1. Tonarmjustage

#### 1.)

Nehmen Sie den *Satisfy Carbon* – Tonarm (Optional im Emotion SE Paket I oder II) und führen Sie zuerst das Signalkabel und anschließend den Fuß des Tonarmes durch die auf dem Chassis vormontierte Tonarmaufnahme.

Achten Sie bitte darauf, dass keine Kabel beschädigt oder zu stark abgeknickt werden!

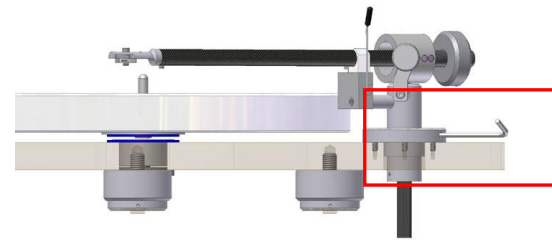


Abb.6: Montage des Tonarms

Schrauben Sie den Tonarm mit den beiden Justierschrauben (rote Markierung in Abb.6) in der Tonarmbasis nur leicht fest, damit Sie ihn zur genauen Justage noch bewegen können!

Die richtige Höhenposition des Tonarmes richtet sich nach der Einbauhöhe des Tonabnehmersystems. Daher ist zum weiteren Aufbau nun die Installation des Tonabnehmersystems nötig.

#### 2.)

Nun können Sie den Tonabnehmer (**mit aufgesetztem Nadelschutz!**) auf den *Satisfy Carbon* Tonarm montieren.

Folgen Sie dabei den Anweisungen des Tonabnehmerherstellers.

Die Signalkabel des *Satisfy Carbon*- Tonarms sind normgerecht farbmarkiert:

Farbcodierung der Signalkabel des Satisfy C. Tonarms:

Signal linker Kanal (L+)	→	weiß
Signalmasse linker Kanal (L -)	→	blau
Signal rechter Kanal (R+)	→	rot
Signalmasse rechter Kanal (R -)	→	grün

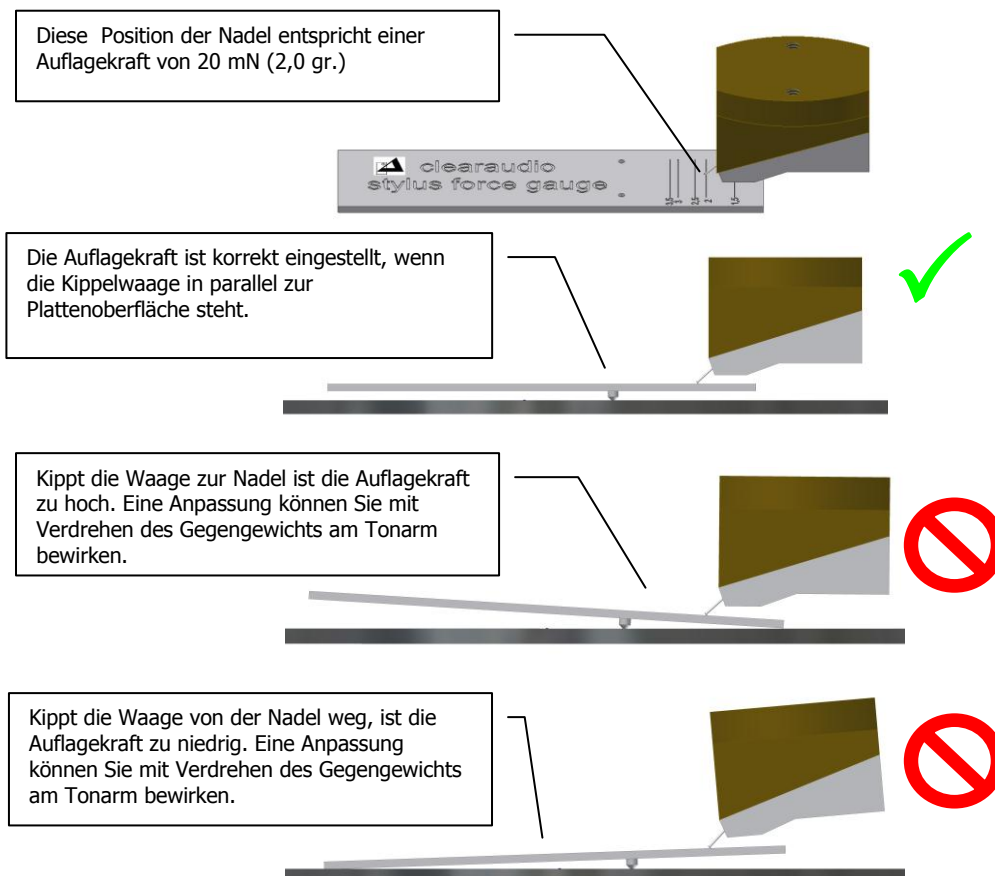
Gehen Sie bei den folgenden Arbeitsschritten und Einstellungen unbedingt behutsam vor, um eine Beschädigung Ihres Tonabnehmersystems zu vermeiden.



### 3.)

Stellen Sie jetzt die vom Hersteller empfohlene Auflagekraft des Tonabnehmers ein. Wenn Sie einen **clearaudio** Moving Magnet Tonabnehmer verwenden, können Sie die Auflagekraft auf ca. 20mN (2,0 gr.) einstellen, indem Sie das Gegengewicht des Tonarmes vorsichtig auf den Gewindegängen verdrehen.

Optional erhalten Sie im Emotion SE Paket II zur leichteren Einstellung eine **clearaudio** Kippelwaage.



**Abb. 7:** Einsatz der Smart Stylus Gauge

Andernfalls sind im Fachhandel Hilfsmittel wie z.B. die *Weight Watcher* Waage (Art. Nr. AC094) von **clearaudio** zur Bestimmung des Auflagegewichts erhältlich. Wenden Sie sich hierzu bitte an Ihren Fachhändler oder direkt an **clearaudio** [www.analogshop.de](http://www.analogshop.de).

Die Adressdaten finden Sie auf Seite 29.

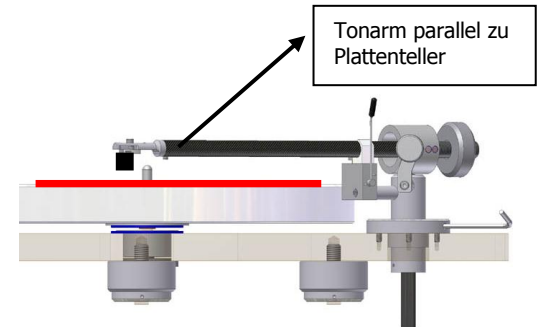
## 4.)

Zu den nachfolgenden Einstellungen legen Sie eine Schallplatte Ihrer Wahl auf den Plattenteller und entfernen Sie den Nadelschutz des Tonabnehmers.

Wenn Sie den Tonabnehmer etwa auf Plattenmitte absenken, sollte seitlich betrachtet, die Oberkante des Tonabnehmerkörpers parallel zur Schallplattenoberfläche verlaufen.

Als Orientierung kann hier auch das Tonarmrohr dienen.

Die genaueste Einstellung erreichen Sie, wenn Sie die Parallelität mithilfe eines Geodreiecks überprüfen. Falls nötig, passen Sie die Tonarmhöhe durch Verschieben des Tonarmes in der Tonarmaufnahme in die entsprechende Richtung an und fixieren Sie diese Tonarmposition durch Anziehen der seitlichen Schrauben.



**Abb.8:** Parallelität des Tonarms

## 5.) Azimuth-Einstellung

Senken Sie nun den Tonabnehmer wieder auf die Plattenoberfläche ab und betrachten Sie den Tonabnehmer von vorne. Prüfen Sie, ob die obere Tonabnehmerkante parallel zur Plattenoberfläche verläuft. Passen Sie gegebenenfalls die Tonabnehmerposition an, indem Sie die kleine Inbusschraube auf der Tonarmrohrunterseite in der Nähe des Headshells vorsichtig lösen (**Achtung: nicht ganz heraus drehen!**), damit sich das Headshell mit montiertem Tonabnehmer um die Längsachse verdrehen lässt.

**Drehen Sie das Headshell nicht, während sich der Abtastdiamant auf der Schallplatte befindet! Es ist notwendig die Nadel von der Schallplatte abzuheben und anschließend die Parallelität erneut zu prüfen.**

Nachdem Sie die richtige Position gefunden haben, ziehen sie die kleine Inbusschraube auf dem Headshell wieder vorsichtig fest, ohne dabei die zuvor gewählte Position zu verändern.

Nun können Sie den Tonarm in dieser Position fixieren, indem Sie die Schrauben in der Tonarmaufnahme mit dem mitgelieferten Inbusschlüssel handfest anziehen.

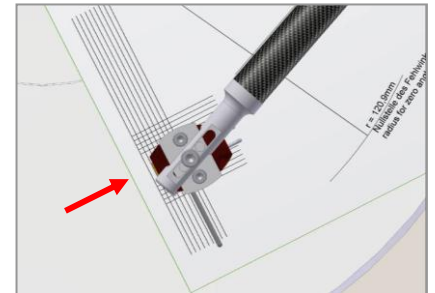
## 6.)

Zur endgültigen Tonarm- und Tonabnehmerjustage benötigen Sie die ebenfalls mitgelieferte Einstellschablone. Stecken Sie diese auf den Dorn des Plattentellers. Drehen Sie anschließend den Plattenteller soweit, dass in etwa die Position wie in nebenstehender Abbildung erreicht wird.



**Abb.9:** Absenken des Tonabnehmers auf der Schablone

Wenn die Flanken des Tonarmrohres von oben betrachtet absolut parallel mit den Markierungslinien der Einstellschablone abschließen, können Sie mithilfe des Tonarmliftes den Diamanten des Tonabnehmers auf den Referenzpunkt der Einstellschablone absenken.



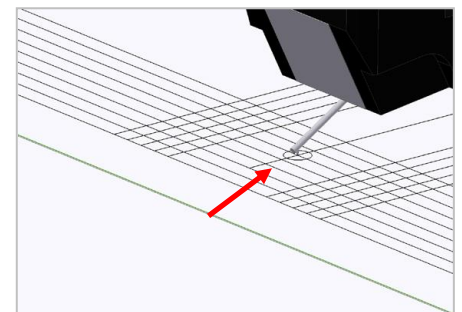
**Abb.10:** Positionierung des Abtastdiamanten

Oft ist es nötig, die Position des Diamanten anzupassen. Sie erreichen dies durch Lösen der Inbusschraube auf dem Headshell des Tonarmes und anschließendes Verschieben des Tonabnehmers mit dem Headshell in die entsprechende Richtung. Achten Sie dabei darauf, dass die Vorderkante des Tonabnehmers parallel zu den auf der Einstellschablone angebrachten Markierungslinien verläuft. Fixieren Sie anschließend diese Position durch handfestes Anziehen der Headshellschraube.

**Drehen Sie das Headshell nicht, während sich der Abtastdiamant auf der Schallplatte befindet!**

Blicken Sie bei diesen Einstellungen immer im Lot, also direkt von oben auf den Tonarm und Tonabnehmer, um Parallaxenfehler zu vermeiden.

Sie haben die Justage korrekt durchgeführt, wenn die beiden Markierungslinien der Einstellschablone mit den Tonarmrohrflanken parallel in Linie zueinander verlaufen, der Tonabnehmerdiamant exakt auf dem eingekreisten Referenzpunkt liegt und die Vorderkante des Tonabnehmers parallel zu den Linien auf der Einstellschablone verläuft. Fixieren Sie anschließend alle von den Einstellungen betroffenen Schrauben etwas kräftiger.



**Abb. 11:** Korrekte Position des Abtastdiamanten

Nach Abschluss der Höheneinstellung können Sie durch festes Anschrauben dieser beiden Justierschrauben den Tonarm endgültig in seiner Position fixieren.

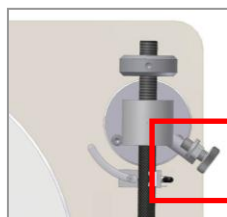
## 3.2 Antiskating – Einstellung

Jetzt können Sie die Antiskatingeinstellung vornehmen. Diese wird in Abhängigkeit von der Tonabnehmerauflagekraft getroffen:

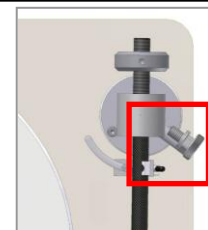
Einstellung des Antiskating:	Auflagekraft	Position der Antiskatingschraube
Minimales Antiskating →	10-15mN	→ siehe Abbildung 1
Mittleres Antiskating →	15-20mN	→ siehe Abbildung 2
Maximales Antiskating →	20mN und größer	→ siehe Abbildung 3



**Abbildung 1 :**  
Minimales Antiskating



**Abbildung 2 :**  
Medium Antiskating



**Abbildung 3 :**  
Maximales Antiskating

**Bildgruppe 12:** Einstellung des Antiskating

## 3.3) Aufbau des Motors

Nehmen Sie den Motor aus der Verpackung und schieben Sie das Antriebsrad soweit auf die Achse des Motors, bis zwischen Motoroberkante und Antriebsradunterkante ein Spalt von ca. 1 mm besteht. Ziehen Sie die drei Schrauben in dem Antriebsrad mit dem Feinschraubendreher nacheinander gleichmäßig an.



**Abb. 13:** Befestigen des Antriebsrads

Bitte platzieren Sie nun Ihre Motoreinheit in die mitgelieferte Edelstahl-Motorbasis und befestigen Sie diese mit den beiden seitlich angebrachten Schrauben. Stellen Sie anschließend die Einheit in die vorgesehene Aussparung des Laufwerkschassis (von oben betrachtet links) und achten Sie dabei darauf, dass der Schalter des Motors nach außen zeigt.

Verbinden Sie das Netzkabel des Motors mit dem Stromnetz.

Danach verbinden Sie Ihren *Satisfy Carbon* Tonarm mit dem Phonoingang Ihrer Vorstufe oder dem Phonoverstärker (geeignete Kabel und Phonoverstärker finden Sie auf unserer Website: [www.clearaudio.de](http://www.clearaudio.de)).

Anschließend verbinden Sie das Massekabel des Tonarmes mit der entsprechenden Erdungsbuchse Ihres Phonoverstärkers oder Vorverstärkers.

Falls Sie Störgeräusche durch Ihre Platte erhalten, empfiehlt es sich ebenfalls Ihr *Emotion SE*-Laufwerk an dem Lagerunterteil mit dem mitgelieferten Erdungskabel (siehe nebenstehende Abbildung) zu erden.

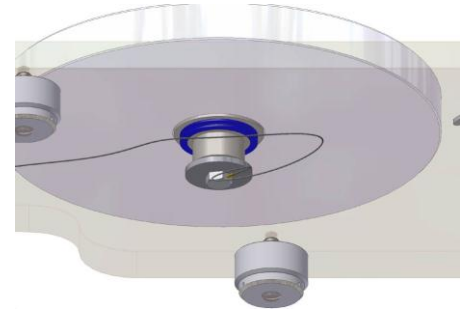


Abb. 14: Erdung des Laufwerks

Bringen Sie nun den Plattenteller des *Emotion SE*-Laufwerkes mithilfe der mitgelieferten Libelle (Wasserwaage) nochmals in Waage. Legen Sie diese auf den Plattenteller und zentrieren Sie die Wasserblase der Libelle in den schwarz aufgedruckten Ring der Libelle. Die genauesten Werte erreichen Sie, wenn Sie an drei verschiedenen Punkten des Plattentellers mit der Libelle prüfen.

Feine Höheneinstellungen können durch Drehen der Laufwerksfüße erreicht werden (siehe Seite 22).

Sind größere Positionskorrekturen notwendig, so versuchen Sie die Unterstellfläche des Laufwerks auszunivellieren.

Legen Sie nun den Antriebsriemen um das Antriebspulley des Motors und um den Plattenteller. Der kleinere Durchmesser des Motorantriebsrades entspricht 33 1/3 Umdrehungen pro Minute, der größere obere Rillendurchmesser des Antriebsrades entspricht einer Drehzahl von 45 Upm.

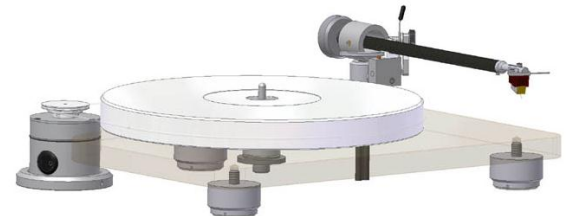


Abb. 15: Befestigung des Antriebsriemens

Durch Betätigen des seitlich am Motorgehäuse angebrachten Schalters in die Position „I“ setzen Sie das Laufwerk in Betrieb.

Es empfiehlt sich, bei Erstinbetriebnahme, das Laufwerk in diesem Zustand 15-30 Minuten einlaufen zu lassen.

## Bitte beachten! :

Falls das *Emotion SE* Laufwerk eine längere Zeit nicht in Benutzung ist, schalten Sie das Gerät am Hauptschalter komplett aus.

Der Hauptschalter befindet sich am Motorgehäuse (siehe Bild unten).



Abb. 16: Hauptschalter

I = AN  
O = AUS

**clearaudio** wünscht Ihnen viel Vergnügen mit Ihrem neuen *Emotion SE* - Plattenspieler!

## 4. Service

Bitte wenden Sie sich in einem Servicefall zuerst an Ihren Fachhändler. Erst wenn dort der Fehler bestätigt und nicht behoben werden kann, senden Sie das Gerät bitte frachtkostenfrei an unten aufgeführte Anschrift:

clearaudio electronic GmbH  
Spardorfer Str. 150  
91054 Erlangen  
Germany

Tel/Phone: +49 9131 40300100  
Fax: +49 9131 40300119  
[www.clearaudio.de](http://www.clearaudio.de)  
[www.analogshop.de](http://www.analogshop.de)  
[info@clearaudio.de](mailto:info@clearaudio.de)

Dabei ist unbedingt auf korrekte bzw. sichere Verpackung zu achten (Originalverpackung). Beim Verpacken umgekehrt verfahren wie bei Aufbau und Inbetriebnahme (siehe Punkt 3).

## 5. Besondere Hinweise

Um die volle **clearaudio-Garantie** in Anspruch nehmen zu können, senden Sie uns bitte den entsprechenden Teil der beigelegten **Garantiekarte innerhalb von zwei Wochen korrekt ausgefüllt zu**, da ansonsten nur die gesetzliche Garantiezeit berücksichtigt werden kann.

- Bei einem Transport des **clearaudio Emotion SE** Laufwerks stets den Plattenteller und das Lageroberteil abnehmen, da sonst erhebliche Beschädigungsgefahr besteht! Gehen Sie beim Verpacken in umgekehrter Reihenfolge wie unter Punkt 3 (Aufbau) beschrieben vor.
- Bitte beachten Sie, dass nur bei Plattenspielern, die uns im Originalkarton zugehen Garantieleistungen erbracht werden.
- Kleben Sie die Lageröffnung des Plattentellerlagers in dem *Emotion SE*-Körper bitte mit einem Streifen Klebeband ab, um Verunreinigungen durch Staub oder Ähnliches vorzubeugen. Entfernen Sie auch unbedingt das Antriebsrad von der Achse des Motors, da sich diese sonst durch Krafteinwirkung beim Transport verbiegen könnte.
- Sollten Sie Ihr *Emotion SE* Laufwerk über einen längeren Zeitraum nicht betreiben, empfehlen wir, den Motor vom Stromnetz zu trennen.
- Das Plattentellerlager sollte je nach Beanspruchung etwa alle zwölf Monate mit dem mitgelieferten Lageröl geschmiert werden. Es genügt, wenn Sie hierzu etwa 4 bis 5 Tropfen in die Lagerbuchse des *Emotion SE*-Körpers geben.
- Zu Ihrer eigenen Sicherheit sollten Sie eine regelmäßige Sichtkontrolle der netzspannungsführenden Zuleitung der Motorantriebseinheit vornehmen. Sollte deren Isolierung beschädigt sein, lassen Sie diese bitte unverzüglich von einem Fachmann auswechseln!
- **Achtung !**

Bitte verwenden Sie zur Reinigung der Acrylglaselemente **nur** speziellen **Acrylglasreiniger** und **keinesfalls** Spiritus oder andere auf Alkohol basierende Flüssigkeiten (Gefahr von Oberflächenbeschädigung!) Verwenden Sie zum Reinigen keine trockenen Tücher, da dies elektrostatische Aufladung erzeugt. Geeignete Reinigungs- und Pflegemittel von **clearaudio** sind über den Fachhandel erhältlich.

## 6. Technische Daten

<b>Konstruktions-prinzip:</b>	Resonanzoptimiertes Laufwerksdesign, Riemenantrieb
<b>Drehzahlbereich:</b>	33 1/3 U/min / 45 U/min (78 U/min optional, mit anderem Pulley)
<b>Antrieb:</b>	Entkoppelter Synchronmotor eingebettet in einem massivem Metall-Druckgussgehäuse
<b>Lager:</b>	Invertiert, geschliffene und polierte Keramiklagerachse, Laufbuchse aus Sinterbronze, inklusive CMB-Magnetlager-Technologie
<b>Plattenteller:</b>	GS-PMMA / Acryl, Oberfläche, CNC-präzisionsgedreht,
<b>Gleichlauf (bewertet)</b>	±0,2 %
<b>Abweichung vom Sollwert</b>	±0,2 %
<b>Leistungsaufnahmen:</b>	
<b>Max. Leistungsaufnahme:</b>	2 Watt
<b>Leistungsaufnahme im Betrieb:</b>	1,6 Watt
<b>Leistungsaufnahme im ausgeschalteten Zustand:</b>	0,0 Watt (wenn Hauptschalter am Motor auf Position „0“ steht)
<b>Gewicht:</b>	Ca. 7 Kg. (inkl. Motor)
<b>Abmessungen:</b>	ca. 400 mm x 320 mm x 80 mm
<b>Garantie:</b>	3 Jahre* (siehe Seite 31)

\* nur bei korrekt ausgefüllter und innerhalb von 14 Tagen eingesandter Garantiekarte (siehe Seite 31)

Änderungen bleiben vorbehalten.

Lieferbar solange Vorrat reicht. Für Druckfehler keine Haftung.

Irrtümer vorbehalten. Kopien und Abdrucke – auch nur auszugsweise – bedürfen der schriftlichen Genehmigung durch die **clearaudio** electronic GmbH.

©clearaudio 2013

Stand: Dezember 2013



Loving music

# Emotion SE

User manual / Bedienungsanleitung

To achieve the full **Clearaudio** warranty, it is necessary that you fill out and send the corresponding part of the warranty registration certificate /card back to **Clearaudio**, within two weeks after purchase. Only if the product is returned in its original packing **Clearaudio** can provide the warranty of 3 years. Otherwise **Clearaudio** provides the legal warranty of 2 years.

Um die volle **clearaudio** Garantie (für Emotion SE 3 Jahre) in Anspruch nehmen zu können, senden Sie uns bitte die beigelegte Garantiekarte innerhalb von zwei Wochen korrekt und vollständig ausgefüllt zu, da sonst nur die gesetzliche Garantiezeit von 2 Jahren berücksichtigt werden kann.

## **ENGLISH WARRANTY**

For warranty information, contact your local Clearaudio distributor.

### **RETAIN YOUR PURCHASE RECEIPT**

Your purchase receipt is your permanent record of a valuable purchase.

It should be kept in a safe place to be referred to as necessary for insurance purposes or when corresponding with Clearaudio.

### **IMPORTANT**

When seeking warranty service, it is the responsibility of the consumer to establish proof and date of purchase. Your purchase receipt or invoice is adequate for such proof.

### **FOR U.K. ONLY**

This undertaking is in addition to a consumer's statutory rights and does not affect those rights in any way.

## **FRANÇAIS GARANTIE**

Pour des informations sur la garantie, contacter le distributeur local Clearaudio.

### **CONSERVER L'ATTESTATION D'ACHAT**

L'attestation d'achat est la preuve permanente d'un achat de valeur. La conserver en lieu sûr pour s'y reporter aux fins d'obtention d'une couverture d'assurance ou dans le cadre de correspondances avec Clearaudio.

### **IMPORTANT**

Pour l'obtention d'un service couvert par la garantie, il incombe au client d'établir la preuve de l'achat et d'en corroborer la date. Le reçu ou la facture constituent des preuves suffisantes.

## **DEUTSCH GARANTIE**

Bei Garantiefragen wenden Sie sich bitte zunächst an Ihren Clearaudio-Händler.

Heben Sie Ihren Kaufbeleg gut auf.

### **WICHTIG!**

Die Angaben auf Ihrer Quittung erlauben uns die Identifizierung Ihres Gerätes und belegen mit dem Kaufdatum die Dauer Ihrer Garantie-Ansprüche.

Für Serviceleistungen benötigen wir stets die Gerätenummer.

Diese finden Sie auf dem Typenschild auf der Rückseite des Gerätes oder auch in der beigelegten Garantie-Registrierkarte.

## **NEDERLANDS GARANTIE**

Voor inlichtingen omtrent garantie dient u zich tot uw plaatselijke Clearaudio.

### **UW KWITANTIE, KASSABON E.D. BEWAREN**

Uw kwitantie, kassabon e.d. vormen uw bewijs van aankoop van een waardevol artikel en dienen op een veilige plaats bewaard te worden voor evt, verwijzing bijv, in verband met verzekering of bij correspondentie met Clearaudio.

### **BELANGRIJK**

Bij een evt, beroep op de garantie is het de verantwoordelijkheid van de consument een gedateerd bewijs van aankoop te tonen. Uw kassabon of factuur zijn voldoende bewijs.

## **ITALIANO GARANZIA**

L'apparecchio è coperto da una garanzia di buon funzionamento della durata di un anno, o del periodo previsto dalla legge, a partire dalla data di acquisto comprovata da un documento attestante il nominativo del Rivenditore e la data di vendita. La garanzia sarà prestata con la sostituzione o la riparazione gratuita delle parti difettose.

Non sono coperti da garanzia difetti derivanti da uso improprio, errata installazione, manutenzione effettuata da personale non autorizzato o, comunque, da circostanze che non possano riferirsi a difetti di funzionamento dell'apparecchio. Sono inoltre esclusi dalla garanzia gli interventi inerenti l'installazione e l'allacciamento agli impianti di alimentazione.

Gli apparecchi verranno riparati presso i nostri Centri di Assistenza Autorizzati. Le spese ed i rischi di trasporto sono a carico del cliente. La casa costruttrice declina ogni responsabilità per danni diretti o indiretti provocati dalla inosservanza delle prescrizioni di installazione, uso e manutenzione dettagliate nel presente manuale o per guasti dovuti ad uso continuato a fini professionali.

## **ESPAÑOL GARANTIA**

Para obtener información acerca de la garantía póngase en contacto con su distribuidor Clearaudio.

### **GUARDE SU RECIBO DE COMPRA**

Su recibo de compra es su prueba permanente de haber adquirido un aparato de valor. Este recibo deberá guardarlo en un lugar seguro y utilizarlo como referencia cuando tenga que hacer uso del seguro o se ponga en contacto con Clearaudio.

### **IMPORTANTE**

Cuando solicite el servicio otorgado por la garantía el usuario tiene la responsabilidad de demostrar cuándo efectuó la compra. En este caso, su recibo de compra será la prueba apropiada.