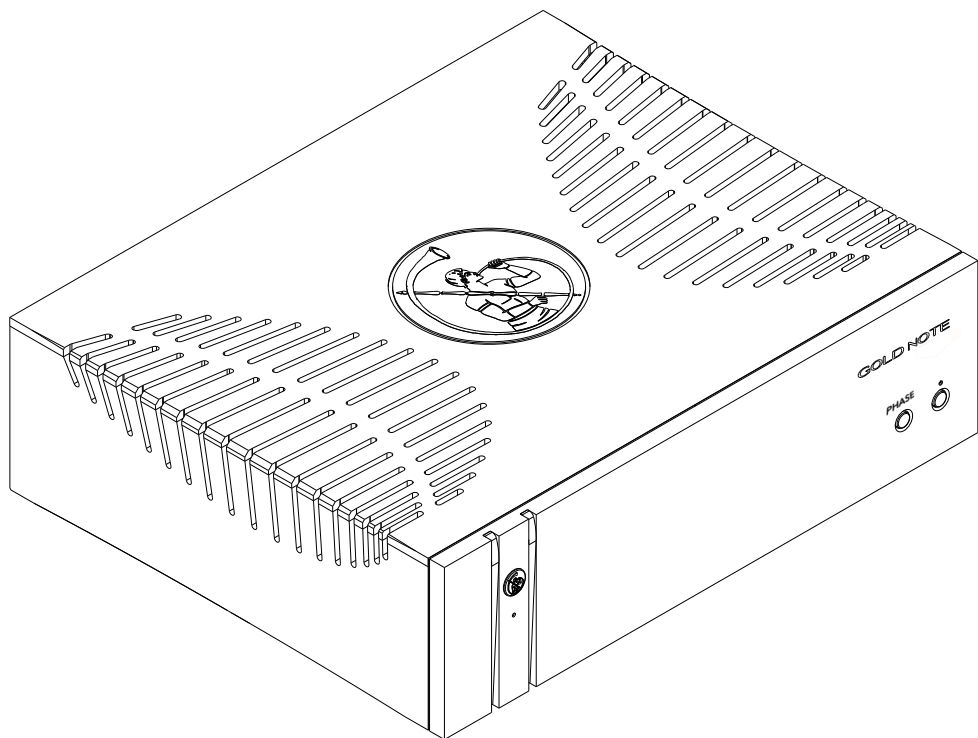


GOLD NOTE

il suono italiano



PSU-1250 /1000

EXTERNAL POWER SUPPLY

USER MANUAL

INDEX

PACKAGE CONTENT.....	P. 3
DESCRIPTION.....	P. 4
TECHNICAL SPECIFICATIONS.....	P. 5
FRONT AND REAR PANEL.....	P. 6
QUICK START.....	P. 7
WARRANTY AND SERVICE.....	P. 8
FAQ AND TROUBLESHOOTING.....	P. 9
IMPORTANT SAFETY INFORMATION.....	P. 10



PACKAGE CONTENT

- PSU-1250/1000
- 1 AC Cable
- 1 External cable PSU-1250/1000
- User Manual

DESCRIPTION

The PSU-1250 and the PSU-1000 are the super inductive external power supplies dedicated to the Gold Note 1000 Series. Engineered with the best quality audio-grade components to provide our electronics, such as the CD-1000, DS-1000, PH-1000 and the P-1000, with a large amount of ultra-clean power. For the PSU-1250 and the PSU-1000, we engineered a sophisticated design powered by a double inductor driving the negative and positive high-current stages, and with an inductive filter on the analogue stage.

The PSU-1250 features a 7-Transformer design, with 4 transformers dedicated exclusively to the power supply stage, of which one for the galvanic insulation of the audio stage, and 3 dedicated to the Dual Choke Inductive Filter.

The PSU-1000 is powered by a 5-Transformers design, leveraging 4 transformers for the power supply stage and galvanic insulation and one for the Dual Choke Inductive Filter.

Our external power supplies perfectly filter the AC current and remove interference and electrical noise from the power system, allowing our electronics to perform at the best. Most importantly, they ensure the electronics always receive the optimal amount of power without generating EMI (ElectroMagnetic Interference) nor RFI (Radio-Frequency Interference) that could affect the audio signal due to electromagnetic induction, electrostatic coupling, or conduction.

With the PSU-1250 and PSU-1000, your system will deliver greater dynamics, better resolution and finer details for improved realism all-around and a higher level of musicality.

TECHNICAL SPECIFICATIONS

7 low noise voltage regulator

Maximum variation of output voltage: 0,05%

Line noise rejection >80dB

Common mode noise rejection >80dB

Absolute phase control selectable from front panel

POWER

Power supply 100-120V / 220-240V with automatic selection, 50/60Hz

Power consumption: 100W

PSU-1250 Dynamic power: >300W

PSU-1000 Dynamic power: >200W

Stand by power: <1W

Full Power Response Time: < 2,5 μ sec

Fuse: 3,15A F/T

DIMENSIONS AND WEIGHT

Dimensions: 425 W x 135 H x 360 D mm

PSU-1250 Weight: Kg. 21 net - Kg. 27 boxed

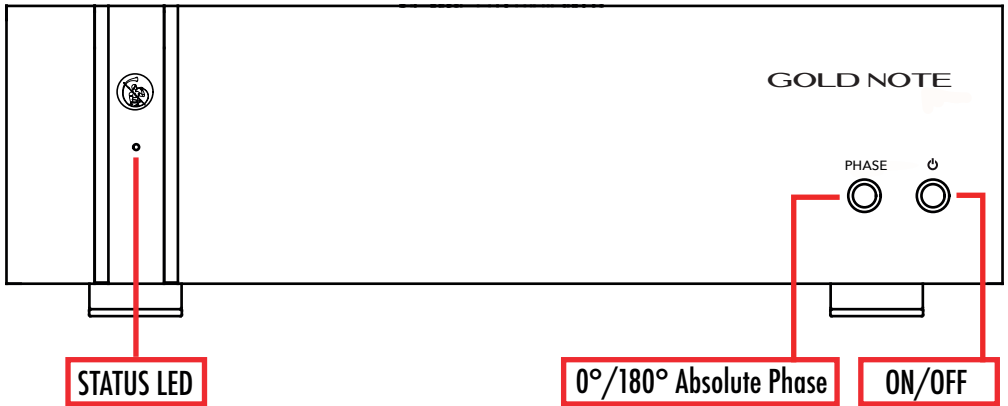
PSU-1000 Weight: Kg. 20 net – Kg. 25 boxed

FINISHES

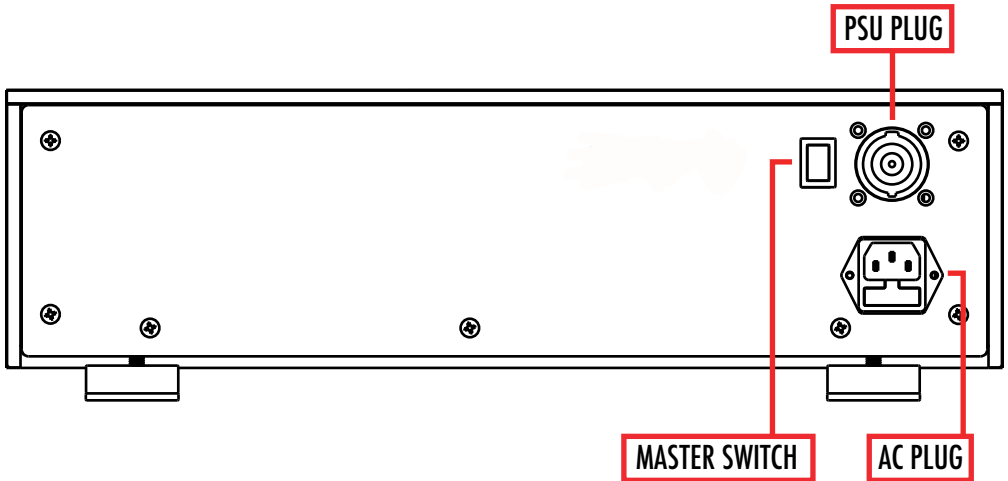
Brushed Aluminium available in Black, Silver or Gold

FRONT AND REAR PANEL

FRONT PANEL OVERVIEW



REAR PANEL OVERVIEW



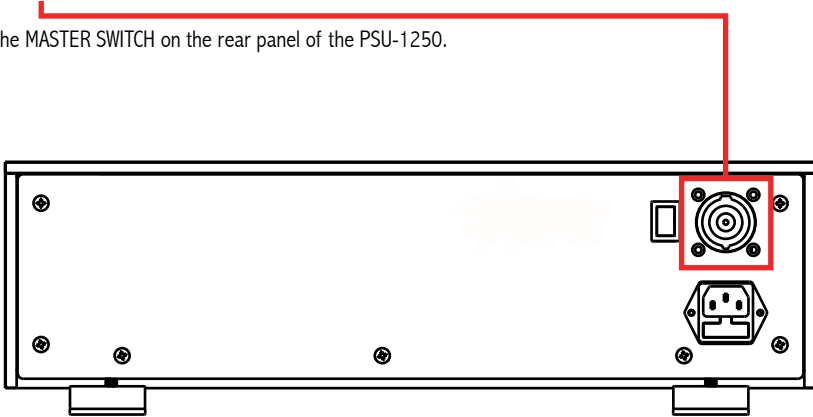
PLEASE NOTE

The LED is always ON when the PSU-1250/1000 is in Standby but the Master Switch is ON.

QUICK START

INSTALLING THE PSU-1250/1000

1. Turn OFF the MASTER SWITCH on the Gold Note 1000 series of electronics and remove the power cord
2. Connect the PSU-1250/1000 to the AC power outlet using the supplied power cord
3. Connect the PSU-1250/1000 to the Gold Note 1000 series of electronics using the supplied cable PSU LINK cable (from the PSU OUT on PSU-1250/1000 to the PSU port on Gold Note 1000 series of electronics)
4. Turn on the MASTER SWITCH on the rear panel of the PSU-1250.



The PSU-1250 and PSU-1000 are designed for the 1000 Series of Electronics. When a unit is powered by the PSU, the STATUS LED of the unit changes colour from BLUE to GREEN.

Pressing the PHASE button will invert the phase $0^{\circ}/180^{\circ}$ and the STATUS LED will change colour from BLUE to RED (inverted phase).

WARRANTY AND SERVICE

WARRANTY

To validate the warranty is necessary to register the unit on the Gold Note internet web site within 15 days from the purchase on the appropriate area of the web site: www.goldnote.it/warranty

If the unit is not registered correctly or has been purchased from a different country of the purchaser home address the unit will not be covered by any warranty and the registration will be refused.

The warranty does not cover in any case: Tubes, Phono Cartridge Stylus and Batteries.

SERVICE

Every GOLD NOTE® product is the result of meticulous technological research, and consequently their correct functioning is guaranteed. In spite of this it is possible that problems may emerge which non-specialist users cannot resolve.

In this case, contact your dealer to be advised on how the fault can be solved.

Do not return any object directly to the factory or to the distributor without being authorised to do so.

In such cases both GOLD NOTE® and the distribution agents decline responsibility of any kind.

For more information please visit www.goldnote.it/service

PLEASE NOTE

Descriptions and technical characteristics may vary at any time and without notice.

FAQ AND TROUBLESHOOTING

PLACING THE PSU-1250 INTO THE SYSTEM

To achieve the best performance we recommend to place the PSU-1250 at a reasonable distance from other audio electronics.

The PSU-1250 shouldn't be placed over on under the unit it is powering nor too close to other electronics.

TROUBLESHOOTING

PROBLEM	CAUSE	SOLUTION
the LED on the front panel is OFF.	the POWER CORD is damaged or not plugged in correctly.	ensure that the POWER CORD is not damaged and connect it properly to the power outlet and the AC plug on the PSU.
	the MASTER SWITCH is OFF.	turn ON the MASTER SWITCH on the rear panel of the PSU.
the GN unit connected to the PSU is not showing the PSU icon on the display/LED hasn't turned GREEN.	the PSU CONNECTION CABLE is not plugged in correctly.	ensure that the PSU CONNECTION CABLE is not damaged and connect it properly to the PSU OUT port on the PSU-1000 on the compatible GN 1000 series of electronics.
the GN source connected to the PSU is noisy.	the PSU is not correctly placed.	ensure that the PSU is not placed too close to the source or other potential noisy apparatus or try moving it in a different position.

For spare parts visit the official Gold Note store at:

www.akamaiaudio.it

IMPORTANT SAFETY INFORMATION



CAUTION
RISK OF ELECTRIC SHOCK
DO NOT OPEN



CAUTION!

TO REDUCE THE RISK OF ELECTRIC SHOCK, DO NOT REMOVE COVER (OR BACK). NO USER-SERVICEABLE PARTS INSIDE. REFER ONLY TO QUALIFIED GOLD NOTE SERVICE PERSONNEL FOR SERVICE



WARNING
FIRE OR SHOCK HAZARD



WARNING!

TO PREVENT FIRE OR SHOCK HAZARD, DO NOT EXPOSE THIS APPLIANCE TO RAIN OR MOISTURE

Do not disassemble any part of the product.

Do not use any part of the product for other purposes.

For service and problems of any kind, contact qualified Gold Note personnel.

Protect the product from rain, humidity and keep away from heat sources, electric and electronic motors etc.

The power Chord supplied must be used only on this unit.

Gold Note does not have responsibility for any improper use of this unit.

This appliance has a serial number located on the rear panel.

Please record the model and serial number and retain them for your records.

Serial Number: _____

Model: _____

IMPORTANT SAFETY INFORMATION

- 1.** Read these instructions and store them.
- 2.** Heed all warnings.
- 3.** Follow the instructions.
- 4.** Do not use this apparatus near water.
- 5.** Clean only with a dry cloth.
- 6.** Do not block the ventilation openings and install in accordance with the manufacturer's instructions.
- 7.** Do not install near heat sources such as radiators, heat registers, stoves or other apparatus (including amplifiers) that produce heat.
- 8.** Do not defeat the safety purpose of the polarised or grounding-type plug: a polarised plug has two blades with one wider than the other.

A grounding type plug has two blades and a third grounding prong. The wide blade or the third prong are provided for your safety.

If the provided plug does not fit into your outlet, consult an electrician for replacement of the obsolete outlet.
- 9.** Protect the power cord from being walked on or pinched particularly at plugs, convenience receptacles, and the point where they exit from the apparatus.
- 10.** Only use attachments/accessories specified by the manufacturer.
- 11.** Use only with the cart, stand, tripod, bracket, or table specified by the manufacturer, or sold with the apparatus.

When a cart is used, use caution when moving the cart/apparatus combination to avoid injury from tip-over.
- 12.** Unplug this apparatus during lightning storms or when unused for long periods of time.
- 13.** Refer all servicing to qualified service personnel only. Servicing is required when the apparatus has been damaged in any way (such as when the power cord or plug is damaged, liquid has been spilled or objects have fallen into the apparatus, the apparatus has been exposed to rain or moisture) and in any case when the apparatus does not operate normally or has been dropped.



 [goldnote_italy](https://www.instagram.com/goldnote_italy)

 [Gold Note Audio](https://www.facebook.com/GoldNoteAudio)

 [Gold Note](https://www.youtube.com/GoldNote)

Akamai S.r.l.
service@goldnote.it
www.goldnote.it