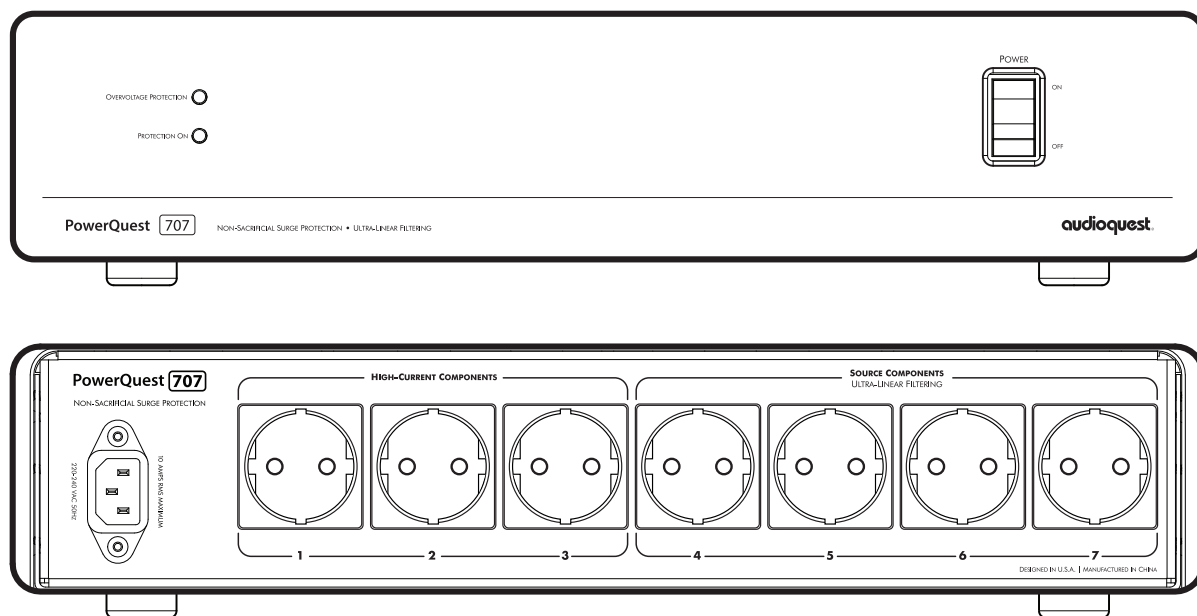


PowerQuest® **707**

[Schuko-EU]

Power Conditioner *Conditionneur d'alimentation*



Diese Bedienungsanleitung in Deutscher Sprache finden Sie unter audioquest.com/powerquest

De Nederlandstalige handleiding is te vinden op audioquest.com/powerquest

Este manual en español se puede encontrar en audioquest.com/powerquest

Данное руководство на русском языке можно найти на сайте audioquest.com/powerquest

该中文手册可在audioquest.com/powerquest找到。

 **Owner's Manual**
Manuel de l'utilisateur

audioquest®

ENGLISH

PowerQuest 707 EU Features 3

Introduction 3

Installation/Unpacking 5

Unpacking 5

Safety Information/Warnings 5

Servicing/Return to AudioQuest 5

Power Source 5

Placement 5

Connection to Audio/Video Components 6

AC Cable Routing 6

High Current/Low-Z Power Banks 6

Ultra-Linear Filtered Power Outlets 7

Suggested AC Connections 7

Operation and Continuous Use 8

Power Switch/Circuit Breaker and LED Power Indicator 8

PowerQuest 707 EU Current Draw 8

Overvoltage Protection Indicator 8

Break-in Time/Continuous Use 9

Specifications 10

Trouble-Shooting Guide 11

Warranty 13

Français 15

PowerQuest 707 EU Features

- 45 Amps peak Transient Power Correction (up to 25 mS)
- Ultra-Linear Differential Filter: 8kHz – 1GHz (well in excess of 22dB)
- Ultra-Linear Common-Mode Filter: 30kHz – 100MHz (well in excess of 22dB)
- Both filters linearized for (rising) line impedance with frequency from 0.05 Ohms (source) and 10 to 50 Ohms load (system current dependent)
- Non-Sacrificial Surge Suppression (will withstand multiple strikes of 6000V or 3000A without damage)
- Extreme Voltage Shutdown: 270VAC. Will activate main circuit relay in under 0.25 seconds. Automatically resets once incoming voltage is within a safe range
- (3) High-Current spec-grade outlets; (4) Ultra-Linear Filtered Source outlets
- Detachable 2-meter PowerQuest PQ-716 AC cord featuring ZERO-Tech and RF/ND-Tech
- Ultra-low impedance magnetic circuit breaker/power switch
- Maximum Input Current Capacity: 10A RMS
- 2RU rack mountable metal chassis (rack ears included)

Introduction

The science of AC power is not simple; it demands focus, and the devil is in the details. In fact, the mammoth increase in airborne and AC-line-transmitted radio signals, combined with overtaxed utility lines and the ever-increasing demands from high-definition audio/video components, has rendered our utilities' AC power an antiquated technology.

Where Alternating Current (AC) is concerned, we're relying on a century-old technology created for incandescent lights and electric motors—technology that was certainly never meant to power the sophisticated analog and digital circuits used in premium audio/video systems. To properly accommodate the promise of today's ever-increasing bandwidth and dynamic range, we must achieve extraordinarily low noise across a wide range of frequencies.

Further, today's power amplifiers are being taxed for instantaneous peak-current demand, even when they're driven at modest volumes. Although we have seen a substantial increase in both dynamics and bass content from our audio software, the loudspeakers we employ to reproduce them are no more efficient than they were two to four decades ago. This places great demands on an amplifier's power supply, as well as the source AC power supplying it.

Our systems' sensitive components need better alternating current—a fact that has resulted in a host of AC power conditioning, isolation transformers, regeneration amplifiers, and battery back-up system topologies. Through differential sample tests and spectrum analysis, it can be proven that up to a third of a high-resolution (low-level) audio signal can be lost, masked, or highly distorted by the vast levels of noise riding along the AC power lines that feed our components. This noise couples into the signal circuitry as current noise and through AC ground, permanently distorting and/or masking the source signal.

All sincere attempts to solve this problem must be applauded since once the audio/video signal is gone, it's gone forever...

For AudioQuest, honoring the source is never a matter of simply using premium "audiophile-grade parts" or relying on a proprietary technology—common approaches used within the audiophile market. For years, we have all been witness to the same, seemingly endless audiophile debates: Valves versus transistors. Analog versus digital. Can cables really make a difference? The debates go on and on. While we, too, can brag

about our many unique technologies, we realize that true audio/video optimization is never a matter of any one secret or exotic circuit. When it comes to noise dissipation for AC power, many approaches can yield meaningful results. However, they may also impart ringing, current compression, and non-linear distortions that are worse than the disease.

The PowerQuest 707 EU uses the widest bandwidth-linearized noise-dissipation circuit in its class. Our unique passive/active Transient Power Correction Circuit features an instantaneous current reservoir of over 45 amps peak, specifically designed for modern current-starved power amplifiers. Most AC power products featuring “high-current outlets” merely minimize current compression; the PowerQuest 707 EU works to correct it.

Though it’s easy to boast, it’s quite another thing to create a solution that is consistent, holistic, functional, and that honors verifiable science. It’s not enough to reduce AC line noise and its associated distortions at just one octave, thus leaving vulnerable the adjacent octaves and octave partials to noise, resonant peaking, or insufficient noise reduction. Consistency is key. We should never accept superior resolution in one octave, only to suffer from masking effects a half-octave away and ringing artifacts two octaves from there. This is the principal criterion for all AudioQuest’s AC power products.

The PowerQuest 707 EU represents over 25 years of exhaustive research and proven AC power products designed for audiophiles, broadcast engineers, and professional audio applications. We welcome you to experience the PowerQuest 707 EU and hear firsthand the remarkable results of highly optimized power management.

—Garth Powell, Senior Director of Engineering, AudioQuest

Installation | Unpacking

Before unpacking your PowerQuest 707 EU, inspect the carton for any obvious damage to the boxes and internal protective materials. If internal damage is likely, contact the carrier who delivered the unit. If shipping damage is evident on the product, then please contact your shipping carrier. Please save all shipping and packing materials. Should you move or otherwise need to transport your PowerQuest 707 EU, these packing materials will ensure the safest transportation. The carton should contain the PowerQuest 707 EU (220-240V Schuko AC Outlets), two foam inserts, owner's manual, rack-mount kit, and 2m PowerQuest PQ-716 AC power cord. Registration is recommended. In the event that your original ownership documents are lost, your registration can be used to establish whether the unit is within the warranty period.

Safety Information | Warnings

Before operating the PowerQuest 707 EU, please read and observe all safety and operating instructions. Retain these instructions for future reference.

- Do not disassemble or in any way modify the PowerQuest 707 EU. There are no user-serviceable parts inside.
- Keep away from moisture and avoid excessive humidity.
- Do not allow liquids or foreign objects to enter the unit.

Servicing | Return to AudioQuest

Servicing of the PowerQuest 707 EU must be performed by AudioQuest, and is only required when:

- The PowerQuest 707 EU has been exposed to rain, flooding, or extreme moisture.
- The PowerQuest 707 EU does not appear to operate normally. (See "Trouble-Shooting Guide.")
- The PowerQuest 707 EU has been dropped and sustained considerable physical damage.

If sending the PowerQuest 707 EU to AudioQuest for servicing (or shipping it for any reason), please use the factory-approved packaging materials. If you have lost any of these (carton, two foam inserts, one poly bag), please contact AudioQuest for replacements. We will provide replacement packaging materials for a nominal charge; shipping costs will be paid by the individual or company requesting the packaging material. Please do not rely on other methods of packaging, including those provided or suggested by packaging/mailling stores. These methods and materials could seriously damage the product, as well as its finish. Even the loss of the thick polybag is enough to permanently damage the finish during transport. If you have lost the original packaging material, please request replacement materials from AudioQuest.

Power Source

Ideally, the power source to which the PowerQuest 707 EU is connected should be adequate for use at 220-240V single phase nominal voltage, 10 amps (current capacity RMS or greater).

For proper operation, the PowerQuest 707 EU requires a safety ground (supplied via the power utility AC wall outlet).

Placement

The PowerQuest 707 EU is manufactured with four rubber textured polymer feet for safe, secure placement on any table, cabinet, shelf, or floor. When rack-mounting is required, these feet may be removed with a standard Phillips screwdriver. Placement or proximity to other components is not critical, and, under standard use, the PowerQuest 707 EU does not produce any appreciable heat. The PowerQuest 707 EU may be rack-mounted in a standard 19" rack by attaching the included 2-RU rack ears. To attach the optional

rack ears to the PowerQuest 707 EU chassis, first remove the three Phillips flathead screws from the front portion of both the left and right sides of the cover assembly. Next, mount the rack ears flush against the back of the PowerQuest 707 EU's front panel. Finally, secure the rack ears into place by installing the rack-mount kit's Phillips pan head screws.

When tight installations do not provide adequate room in a rack, shelf, or cabinet, the PowerQuest 707 EU can be placed on its side. Such placement will pose no safety or performance compromises, but we recommend placing a soft towel or carpet under the unit to prevent the chassis and front panel from being scratched or marred in any way.

Connection to Audio/Video Components

AC Cable Routing

Once the PowerQuest 707 EU is placed, a 15-amp-rated (or greater), high-current AC cord must be connected to the rear-panel AC inlet (IEC-C14) connector. The AC cord must have an IEC-C13 female end connector and a grounded male 220-240VAC Edison/NEMA plug. We highly recommend the use of the supplied PowerQuest PQ-716 AC cord or any AudioQuest NRG-Z, Wind Series, or High-Current Storm Series AC cable.

When facing the PowerQuest 707 EU's rear panel, the IEC-C14 inlet is located on the unit's lower-left side. The AC inlet cord must be connected to an appropriate AC outlet (see "Power Source").

Whenever possible, it is best to keep at least three inches (approximately 7cm) between AC cables and any signal cable. When this is not possible in a practical layout of system cabling, crossing the AC cables to signal cables at 90 degrees is best to minimize induced noise.

High-Current | Low-Z Power Outlets

There are three High-Current/Low-Z Power outlets (labeled "1" through "3"—three discrete outlets in all). These outlets feature our Transient Power Correction Technology (45 amps peak - up to 25 mS duration) and are designed to enhance the performance of power amplifiers via our circuit's low-impedance transient current reservoir. Power amplifiers, monoblock amplifiers, integrated amplifiers, powered receivers, or powered subwoofers should be connected to these outlets.

Regardless of class of operation or circuit topology (valve, solid-state, digital, or otherwise), the Transient Power Correction Circuit will not compress the current of any power amplifier. Quite to the contrary, it will improve the amplifier's performance by supplying the low-impedance current source that the amplifier's power supply so desperately needs.

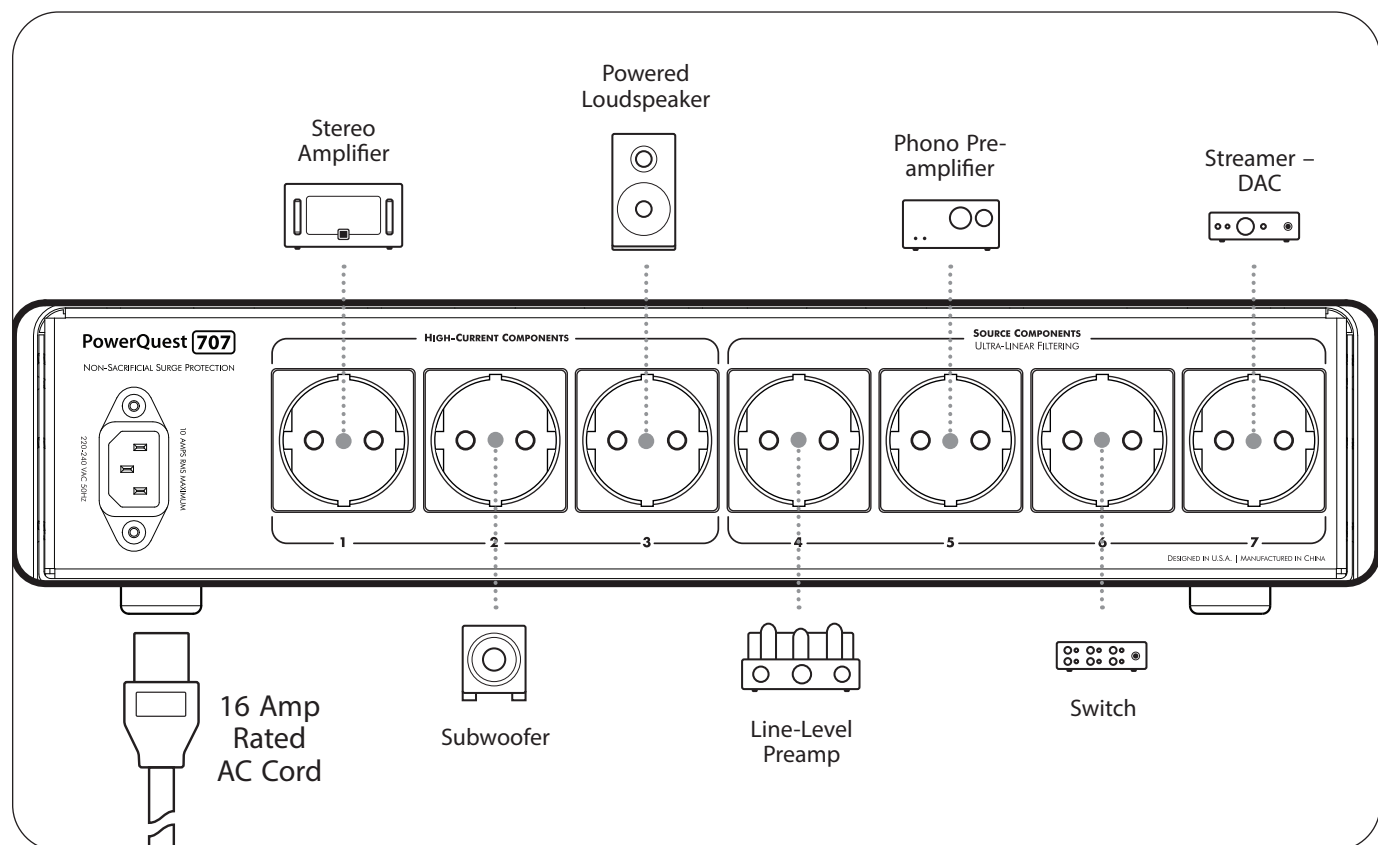
However, the other four AC outlets (Ultra-Linear Noise-Filtering), are not optimized for most power amplifiers. They have been optimized for line-level audio preamplifiers, DACs, universal players, turntables, and video products that utilize constant-current voltage amplifier circuits. These circuits never suffer from current compression, but their lower input level and higher gain require a more robust means of noise dissipation. This is key to the PowerQuest 707 EU's discrete AC power banks, in that not every circuit is treated the same, but rather isolated bank by bank and optimized for best performance.

Ultra-Linear Filtered Power Outlets

There are four outlets (4 discrete outlets in all, labeled “4” through “7”) that utilize this technology within the PowerQuest 707 EU. All four of these are in turn isolated from the High-Current/Low-Z outlets, labeled 1 through 3. This offers a great advantage in controlling the complex interactions of RF (radio frequency) and other induced noises present in the AC power supplied from your utility, the noise that will be present on and in every AC cord, and the noise that is produced within your system’s components and that “backwashes” into the PowerQuest 707 EU’s output circuits.

Though it would be simple to recommend putting the digital or video components into outlets 4, 5 and the line-level audio components and turntables into outlets 6 and 7, the quest for optimal performance is more complex. This scenario will work, and likely work well, but a certain amount of experimentation is best given the fact that no filter can eliminate 100% of all noise. The size of many of these RF-induced waveforms possess sinewaves as small as the edge of a piece of paper, and the interactions are complex. So long as the power amplifiers are in their appropriate outlets (1 through 3), and the other components are in outlets 4 through 7, you should experience exemplary performance.

Suggested AC Connections



Note: Outlets 4 through 7 are subject to many variables and circuit conditions, so experimentation for best results is encouraged. Power amplifiers must be connected to outlets 1 through 3.

Operation and Continuous Use

Power Switch | Circuit Breaker and LED Power Indicator

Once the AC cords are properly connected to the AC source tap, and the components are connected to the appropriate outlet banks, it is safe to energize the PowerQuest 707 EU. On the right-hand side of the PowerQuest 707 EU's front panel, there is a black rocker switch. Firmly press the rocker switch so that its upper portion is flush with the front panel. Typically, within a couple of seconds, you should hear an audible "clack" sound(s) from one or more relays within the PowerQuest 707 EU. At the same time, the front-panel LED power indicator will glow green, signifying that the unit is operational. (If this does not occur, see the "Trouble-Shooting Guide" in this manual.)

PowerQuest 707 EU Current Draw

The Transient Power Correction Circuit creates a reactive current draw of as much as 3 to 4 amps RMS at idle (real-world draw is a small fraction of an amp), and electrical technicians who connect a current probe to a product such as this are frequently alarmed: They suspect that the product is either broken or that it is drawing a distressingly high amount of current from the wall outlet (akin to an AV receiver left in full operational mode).

This is far from the truth. If the PowerQuest 707 EU was consuming that much current (or even 30% of that level), it would need to dissipate the energy loss in heat. It would be quite warm (even hot) to the touch, just like most power amplifiers while in operation. In fact, the PowerQuest 707 EU runs cool, precisely because this current reading is false. The circuit utilizes massive capacitive reactance across the AC line, which, akin to a battery, will both absorb and immediately release the current several times per second. Further, when incorporated with power supplies such as those found in power amplifiers, the current readings actually come down. This is due to what's known as a vector load, and it's quite dynamic in an audio/video system. In this scenario, there is one thing that can run somewhat warmer than it might otherwise: the AC cord that supplies power to the PowerQuest 707 EU. This is because the wiring and the circuit breaker that supply power to PowerQuest 707 EU simply look at RMS current and do not distinguish between reactive loads, resistive loads, or inductive loads, but your utility does.

This circuit and many like it have been utilized for many years, and, when tested into buildings with absolutely no loads present aside from the transient power correction circuit, there was virtually zero power draw from the utilities' power meter. Still, in an age where so-called "smart meters" are omnipresent, and some utilities may or may not change their standards for "what type of power or current is suitable for billing," we have gone to great lengths to offer an alternative to those who may be concerned, but who nevertheless wish to achieve the best possible audio/video performance.

Overvoltage Protection Indicator

One portion of the PowerQuest 707 EU's non-sacrificial surge protection is dedicated to a fast-acting extreme voltage shutdown circuit. If more than 270VAC is present on the incoming AC line for more than a quarter of a second, the circuit will instantly open a high-current relay that will disengage the AC power from all the PowerQuest 707 EU's AC outlets, activating the red front-panel LED "Overvoltage Protection" warning indicator. Once the event has passed, or the building wiring fault has been corrected, the circuit will automatically re-engage.

Break-in Time | Continuous Use

The PowerQuest 707 EU is made of a variety of passive and active components. As such, the PowerQuest 707 EU will benefit from continuous use, just like any other audio/video component. This is not to say that you will be made to “suffer” through weeks or months of intolerable performance until that “magic day” when the parts are fully formed and ready. On the contrary, the PowerQuest 707 EU will perform very well from the first moment you use it. It will improve gradually, in small increments, over a period of approximately two weeks. While leaving the PowerQuest 707 EU turned on during this period will aid the process, it is also perfectly acceptable to turn the unit off; doing so will simply increase the time it takes to reach final “break-in.”

The PowerQuest 707 EU has a 5-year warranty, but it was designed to last for over two decades. Provided that the PowerQuest 707 EU is used inside a home, store, studio, or office with a reasonable climate (7 degrees to 38 degrees Celsius, with less than 20% humidity), it can be left on continuously; there are no parts that will wear out.

Specifications

PowerQuest 707 EU

- **Surge Suppression:** Non-sacrificial (nothing to damage with repeated 6000V/3000A input surge tests, which is the maximum that can survive through a building's AC electrical panel).
- **Extreme Voltage Shutdown Voltage:** 270VAC (will activate the main high-current relay to open within less than 0.25 second; automatically resets once the incoming power is within a safe range).
- **Differential-Mode Noise Filtering:** Well in excess of 22dB from 8kHz to 1GHz, linearized for dynamic (rising) line impedance with frequency (source) and 10- to 50-ohm load, *system current dependent*.
- **Common-Mode Noise Filtering:** Well in excess of 22dB from 30kHz to 100MHz, linearized for dynamic (rising) line impedance with frequency (source) and 10- to 50-ohm load, *system current dependent*.
- **Maximum Input Current Capacity:** 10 amps RMS
- **7 AC Outlets:** 3 High-Current/Transient Power Correction; 4 Ultra-Linear Filtering.
- **Power Consumption:** Typically, less than 0.5 amps at 220-240 VAC input, with all connected components operational. (*This is dependent on a reactive vector load. For more info, see "Operation and Continuous Use: PowerQuest 707 EU Current Draw."*)
- **Dimensions:** 43.0 cm W x 8.6 cm H (9.4 cm w/ feet attached) x 38.0 cm D (2-RU rack-mounting ears are provided)
- **Weight:** 7.6 Kg.

PowerQuest PQ-716 AC Power Cable (2m | 6'7")

- 2.5 mm² | 16A RMS capacity @ 220-240V 50Hz; NEMA male wall plug and IEC C-13 female connector
- Semi-Solid Concentric Long-Grain Copper (LGC) Conductors
- ZERO-Tech (No Characteristic Impedance) for uncompressed current transfer
- RF/ND-Tech minimizes circuit misbehavior by cancelling induced RF noise
- Direction-Controlled Conductors ensure induced noise is properly drained and dissipated

Trouble-Shooting Guide

At AudioQuest, we always appreciate hearing from you. However, if you have questions, problems, or suspect that your PowerQuest 707 EU requires service, please start here.

There is no power to any of the AC outlets.

When the PowerQuest 707 EU's front-panel LED power indicator glows green, the unit is operational. If the Protection On indicator is not lit, consider the following:

- Is the upper portion of the front-panel rocker switch fully flush with the chassis?
- Is the input AC cord fully inserted into the PowerQuest 707 EU's AC inlet?
- Is the input AC cord properly plugged into the wall AC service outlet?
- Is the wall's AC outlet functioning properly?

Plug into the outlet another component, product, or lamp to verify that power is present, and that the electrical panel's circuit breaker has not tripped. If there are only one or two AC outlets that have no output power, a component may be malfunctioning. Verify the AC output with a known simple device such as a lamp.

There is no power to any of the AC outlets and the red front-panel Overvoltage Protection indicator is lit.

This indicates that either there is more than 270VAC (+/-5V) present on the wall's AC service outlet, or the PowerQuest 707 EU's protection circuit is mis-calibrated. The latter is quite rare. (This circuit is adjustable, but it's tested and retested before it leaves the factory, and it's glued into place, so shipping will not affect it.) Use an AC voltage meter to determine if your outlet has too much voltage to be safe for operation, or if there is a wiring fault that is causing this to occur.

Once the power is brought into a safe range for operation (180VAC to 265 VAC), the PowerQuest 707 EU's protection circuit will automatically switch to operational mode and the green power indicator will light.

The main power rocker switch/circuit breaker tripped to the lower (off) position while the system was playing.

You may have exceeded the maximum current capacity of the PowerQuest 707 EU. This should be rare, but it may be possible. Typical power amplifiers draw about one-third of their maximum current consumption at 220-240VAC, as listed in the product's specifications (typically found in their owner's manual). This is further complicated by the fact that the power consumption to all AC outlets (1 through 7), is a cumulative draw on the maximum current capacity of 10 amps that will trip this power switch/magnetic circuit breaker.

The Transient Power Correction Circuit may also contribute to the overall draw seen by the circuit breaker. Still, it should be rare that the total capacity is exceeded, but, given that some televisions, projectors, and power amplifiers can draw substantial current, it is certainly not impossible. If this is the case, an additional PowerQuest 707 EU, and a discrete 16-amp AC service on the same phase of the electrical panel, will be required for some or all the power amplifiers.

A technician or electrician found that my PowerQuest 707 EU consumes over 3 amps of current. Is it broken?

No, it's not broken, and it's not drawing 3+ amps in any conventional sense. The PowerQuest 707 EU's Transient Power Correction Circuit creates a reactive current draw of as much as 3 to 4 amps RMS at idle, and, when incorporated with power supplies such as those found in power amplifiers, the current readings decrease. This is a vector load, which will vary with the connected equipment. When plugged into an AC service that has no other electrical draw, it is typical to see a real-world RMS power draw well below 60 watts at idle.

My home or grounds were hit by lightning. The PowerQuest 707 EU seems to be functioning properly. Should it be sent in for inspection or service?

If you see or smell smoke coming from the unit, it needs service. Otherwise, if it functions after such an event (which is very likely), there is nothing that would be compromised or damaged. If it fails after such an event, it will fail totally. However, it's unlikely that this would occur. The circuit is designed to easily handle any voltage or current surge that could possibly make it past an electrical panel. The force required to damage the PowerQuest 707 EU via a power surge would melt the panel and burn the building (in which case, the PowerQuest 707 EU is the least of your worries).

How do I clean the chassis?

The PowerQuest 707 EU's black-painted chassis and black anodized front panel can be cleaned with AudioQuest CleanScreen, or a modest misting of household window cleaners. Please use soft cotton or wool toweling to remove the liquid from the metal and painted surface. Never use alcohol or solvent-based cleaners. They can damage the surfaces, paint, and silk-screening material.

I hear a slight buzzing sound coming from the PowerQuest 707 EU. Is it damaged?

No, it's not damaged (or, at least, damage is very unlikely). If you're in an extraordinarily quiet room and you hear this faint buzzing sound only when in relatively close proximity to the PowerQuest 707 EU, or only when you place your ear next to the unit, the buzzing is normal and, unfortunately, cannot be entirely eliminated.

What you are experiencing is a variation on the effect called magnetostriction. When an extraordinarily high quantity of harmonic distortion is present on an AC line, a portion of the Transient Power Correction circuit that is hermetically sealed and damped can mechanically buzz as its internal electrical plates resonate at 50 Hertz and many octaves above. In order to reduce or eliminate this harmonic distortion, the circuit is trying to turn this distortion into heat. This has no effect on the performance or longevity of the PowerQuest 707 EU or its connected components.

Warranty

The Quest Group, DBA: AudioQuest, warrants to the original purchaser of this AudioQuest PowerQuest 707 EU, will be free from defects in material and workmanship for a period of one year. The purchaser of the product is allowed 30 days from the date of purchase to complete the warranty registration online at the AudioQuest website: <https://www.audioquest.com/page/eq-product-registration.html>. If the purchaser completes the aforementioned registration, the warranty period will be increased to five years from the date of purchase.

If the product does not conform to this Limited Warranty during the warranty period (as herein above specified), purchaser shall notify AudioQuest in writing (or e-mail), of the claimed defects. If the defects are of such type and nature as to be covered by this warranty, AudioQuest shall authorize the purchaser to return the product to the AudioQuest factory (2621 White Road, Irvine, California, 92614 USA). Warranty claims should be accompanied by a copy of the original purchase invoice showing the purchase date; this is not necessary if the Warranty Registration was completed by registering online at the AudioQuest website. Shipping charges to the AudioQuest factory (Irvine, California, USA) must be prepaid by the purchaser of the product. AudioQuest shall, at its own expense, furnish a replacement product or, at AudioQuest's option, repair the defective product. Return shipping charges back to the purchaser will be paid by AudioQuest.

All warranties contained herein are null and void if: the AudioQuest AC power product has been opened, improperly installed, altered in any way, or tampered with. AudioQuest is not responsible for any connected equipment or any claims of damage to connected equipment due to the occurrence of an AC power surge, spike, or over-voltage event, unless AudioQuest determines after thorough inspection and testing by AudioQuest (with product shipped to AudioQuest USA at the owner's expense), that the protection circuitry was in whole or in part improperly functioning. AudioQuest is not responsible for any connected equipment that is damaged due to external signal lines (non-AC power lines), that carry an electrical storm or signal wiring fault surge or spike (such as Ethernet, cable, and satellite connections). All AudioQuest AC power products, must be plugged directly into a properly wired AC power line with a protective ground.

AudioQuest AC power products cannot be "daisy-chained" together in serial fashion with other AC power strips, UPS devices, other AC surge protectors, AC power conditioners, three-to-two prong adapters, or AC extension cords. Any such installation voids the warranty. The AudioQuest warranty only protects against damage to properly connected equipment or AC cables where AudioQuest has determined, at its sole discretion, that the damage resulted from an AudioQuest power product circuit or protection circuit malfunction and does not protect against acts of God (other than lightning, such as flood or earthquake), war, terrorism, vandalism, theft, normal use wear and tear, erosion, depletion, obsolescence, abuse, damage due to low-voltage disturbances (i.e., brownouts or sags), or system equipment modification or alteration. Do not use this product in any way with a generator, heater, sump pump, water-related devices, life-support devices, medical devices, automobile, motorcycle, or golf-cart battery charger. To be used indoors only and in dry areas. All warranties contained herein are null and void if used in any way with any of the aforementioned devices.

THE FOREGOING IS IN LIEU OF ALL OTHER WARRANTIES, EXPRESS OR IMPLIED, INCLUDING BUT NOT LIMITED TO THE IMPLIED WARRANTIES OF MERCHANTABILITY AND FITNESS FOR A PARTICULAR PURPOSE. AudioQuest does not warrant against damages or defects arising out of improper or abnormal use or handling of the product, against defects or damages arising from improper installation, against defects in products or components not manufactured by AudioQuest, or against damages resulting from such non-AudioQuest made products or components. This warranty shall be cancelled by AudioQuest at its sole discretion if the product is modified in any way without written authorization from AudioQuest. This warranty also does not apply to products upon which repairs have been affected or attempted by persons other than pursuant to written authorized by AudioQuest.

THIS WARRANTY IS EXCLUSIVE. The sole and exclusive obligation of AudioQuest shall be to repair or replace the defective product in the manner and for the period provided above. AudioQuest shall not have any other obligation with respect to this product or any part thereof, whether based on contract, tort, strict liability, or otherwise. Under no circumstances, whether based on this Limited Warranty or otherwise, shall AudioQuest be liable for incidental, special, or consequential damages. AudioQuest employees or representatives' ORAL OR WRITTEN STATEMENTS DO NOT CONSTITUTE WARRANTIES, shall not be relied upon by purchaser, and are not a part of the contract for sale or this Limited Warranty. This Limited Warranty states the entire obligations of AudioQuest with respect to the product. If any part of this Limited Warranty is determined to be void or illegal, the remainder shall remain in full force and effect.

Warranty claims should be accompanied by a copy of the original purchase invoice showing the date of purchase. (If the product was registered online, this is not necessary.) Before returning any equipment for repair, please be sure it is adequately packed and cushioned in either the original or a new AudioQuest factory-supplied polybag, foam insert pair, and dual carton set to protect against damage in shipment, and that it is insured.

FRANÇAIS

Caractéristiques du PowerQuest 707 EU 16

Introduction 16

Installation/déballage 18

Déballage 18

Informations/avertissements sur la sécurité 18

Service/Retour à AudioQuest 18

Source d'alimentation 18

Placement 18

Connexion aux composants audio/vidéo 19

Acheminement des câbles d'alimentation 19

Prises à courant élevé/faible impédance 19

Prises électriques filtrées ultra-linéaires 20

Connexions CA suggérées 20

Fonctionnement et utilisation en continu 21

Interrupteur électrique/disjoncteur et indicateur d'alimentation à LED 21

Consommation de courant du PowerQuest 707 EU 21

Indicateur de protection contre les surtensions 21

Durée de rodage/utilisation continue 22

Spécifications 23

Guide de dépannage 24

Garantie 26

Caractéristiques du PowerQuest 707 EU

- Correction de puissance transitoire de crête 45 ampères (jusqu'à 25 mS)
- Filtre différentiel ultra-linéaire : 8 kHz – 1 GHz (bien au-delà de 22 dB)
- Filtre ultra-linéaire en mode commun : 30 kHz – 100 MHz (bien au-delà de 22 dB)
- Les deux filtres sont linéarisés pour une impédance de ligne (croissante) présentant une fréquence de 0,05 ohms (source) et une charge de 10 à 50 ohms (en fonction du courant du système)
- Suppression de surtension non sacrificielle (résistera à de multiples pics de 6000 V ou 3000 A sans dommages)
- Arrêt en cas de tension extrême : 270 VCA. Active le relais du circuit principal en moins de 0,25 seconde. Réinitialisation automatique lorsque la tension entrante se situe dans une plage de sécurité
- (3) Prises à courant élevé conformes aux spécifications; (4) Prises à source filtrée ultra-linéaires
- Cordon CA détachable PowerQuest PQ-716 de 2 mètres avec ZERO-Tech et RF/ND-Tech
- Interrupteur électrique /disjoncteur magnétique à très faible impédance
- Capacité maximale du courant d'entrée : 10 A RMS
- Châssis métallique montable en rack 2U (adaptateurs de rack inclus)

Introduction

La science du courant alternatif n'est pas un sujet facile ; elle exige une concentration particulière et un souci extrême du détail. En fait, l'augmentation phénoménale des signaux radio transmis par voie aérienne et dans la ligne CA, combinée à des lignes des services publics surtaxées et aux demandes toujours croissantes en composants audio/vidéo haute définition, a fait de l'électricité CA de nos installations des services publics une technologie obsolète.

Dans le cas du courant alternatif (CA), nous nous appuyons sur une technologie vieille de plusieurs siècles, créée pour les lampes à incandescence et les moteurs électriques, qui n'a certainement jamais été conçue pour alimenter les circuits analogiques et numériques sophistiqués utilisés dans les systèmes audio/vidéo haut de gamme. Pour répondre correctement aux promesses de la bande passante et de la plage dynamique sans cesse croissantes d'aujourd'hui, nous devons parvenir à un niveau de bruit extraordinairement faible sur une large plage de fréquences.

De plus, les amplificateurs de puissance actuels sont taxés pour la demande instantanée en courant de crête, même lorsqu'ils sont alimentés à des volumes modestes. Bien que nous ayons constaté une hausse substantielle de la dynamique et du contenu des basses dans nos logiciels audio, les haut-parleurs que nous utilisons pour les reproduire ne sont pas plus efficaces qu'il y a deux à quatre décennies. Cela impose des contraintes importantes à l'alimentation électrique d'un amplificateur, ainsi qu'à la source de courant alternatif qui l'alimente.

Les composants sensibles de nos systèmes ont besoin d'un courant alternatif de meilleure qualité, un problème qui a donné naissance à une multitude de systèmes de conditionneurs d'alimentation CA, de transformateurs d'isolation, d'amplificateurs de régénération et de systèmes de secours à batterie. Grâce à des tests d'échantillons différentiels et à une analyse spectrale, il peut être prouvé que, jusqu'à un tiers, un signal audio haute résolution (bas niveau) peut être perdu, masqué ou fortement déformé par les énormes niveaux de bruit circulant le long des lignes électriques CA qui alimentent nos composants. Ce bruit se propage dans le circuit du signal sous forme de bruit de courant et par le biais de la mise à terre CA, déformant et/ou masquant en permanence le signal source.

Toutes les tentatives sincères pour résoudre ce problème doivent être applaudies car une fois que le signal audio/vidéo est parti, il est parti pour toujours...

Pour AudioQuest, le respect de la source ne se réduit jamais à simplement utiliser des « pièces supérieures de qualité audiophile » ni à dépendre d'une technologie exclusive (des approches courantes sur le marché de la haute fidélité). Depuis des années, nous avons tous assisté aux mêmes débats sans fin entre audiophiles : Lampes ou transistors. Analogique ou numérique. Les câbles peuvent-ils vraiment faire une différence ? Ces discussions n'en finissent pas. Si nous pouvons, nous aussi, nous vanter de nos nombreuses technologies uniques, nous réalisons que la véritable optimisation audio/vidéo n'est jamais l'affaire d'un circuit secret ou exotique. Lorsqu'il s'agit de dissiper le bruit du courant alternatif, plusieurs approches peuvent donner des résultats significatifs. Toutefois, il est également possible de transmettre des tintements, des compressions de courant et des distorsions non linéaires qui sont pires que le problème initial.

PowerQuest 707 EU utilise le circuit de dissipation du bruit à bande passante linéarisée le plus large de sa catégorie. Notre circuit unique de correction de puissance transitoire passif/actif présente une réserve de courant instantanée de plus de 45 ampères de crête, spécialement conçue pour les amplificateurs de puissance modernes qui ont des grandes demande en courant. La plupart des produits électriques CA dotés de « prises à courant élevé » se contentent simplement de minimiser la compression du courant; PowerQuest 707 EU la corrige.

S'il est facile de se vanter, c'est une autre chose de créer une solution qui soit uniforme, globale, fonctionnelle et scientifiquement vérifiable. Il ne suffit pas de réduire le bruit de la ligne CA et les distorsions associées à une seule octave, laissant les octaves et portions d'octaves voisines vulnérables au bruit, aux pics de résonance ou à une réduction insuffisante du bruit. L'uniformité est essentielle. On ne devrait jamais accepter une résolution supérieure sur une octave, si c'est pour souffrir d'effets de masquage à une demi-octave de là et d'artéfacts de résonance deux octaves plus loin. C'est là le principal critère d'AudioQuest pour son système de dissipation de bruit d'alimentation à basse impédance.

PowerQuest 707 EU représente plus de 25 années de recherche approfondie et de produits électriques CA à l'efficacité éprouvée, conçus pour les audiophiles, les ingénieurs de diffusion et les applications audio professionnelles. Nous vous invitons à faire l'expérience de PowerQuest 707 EU et à découvrir par vous-même les résultats remarquables d'une gestion électrique hautement optimisée.

—Garth Powell, directeur en chef de l'ingénierie, AudioQuest

Installation | déballage

Avant de déballer votre PowerQuest 707 EU, inspectez le carton pour voir si les boîtes et les matériaux de protection internes n'ont pas subi de dommages évidents. Si des dommages internes sont probables, contactez le transporteur qui a livré l'unité. Si les dommages dus à l'expédition sont évidents sur le produit, veuillez contacter votre transporteur. Veuillez conserver tous les matériaux d'expédition et d'emballage. Si vous devez déplacer votre PowerQuest 707 EU ou le transporter, ces matériaux d'emballage assureront un transport en toute sécurité. Le carton doit contenir PowerQuest 707 EU (Prises d'alimentation Schuko 220-240V UE), deux inserts en mousse, le manuel de l'utilisateur, un kit de montage sur rack et un câble électrique CA PowerQuest PQ-716 de 2 m. Il est recommandé d'enregistrer le produit. En cas de perte de vos documents de propriété originaux, votre enregistrement peut être utilisé pour déterminer si l'unité est dans la période de garantie.

Informations | avertissements sur la sécurité

Avant d'utiliser le PowerQuest 707 EU, veuillez lire et respecter toutes les consignes de sécurité et d'utilisation. Conservez ces instructions pour une référence future.

- Ne désassemblez pas et ne modifiez le PowerQuest 707 EU de quelque manière que ce soit. L'appareil ne contient aucune pièce devant être entretenue par l'utilisateur.
- Garder au sec et évitez une humidité excessive.
- Ne laisser aucun liquide ni d'autres corps étrangers pénétrer dans l'appareil.

Service | retour à AudioQuest

L'entretien de PowerQuest 707 EU doit être effectué par AudioQuest, et n'est requis que dans les cas suivants :

- PowerQuest 707 EU a été exposé à de la pluie, à des inondations ou à une humidité extrême.
- PowerQuest 707 EU ne semble pas fonctionner normalement. (consulter le « Guide de dépannage »)
- PowerQuest 707 EU est tombé et a subi des dommages physiques considérables.

Lors du renvoi du PowerQuest 707 EU à AudioQuest pour réparation (ou de son expédition pour toute autre raison), veiller à utiliser les matériaux d'emballage homologués par le fabricant. Si certains manquent (carton d'emballage double, deux inserts en mousse, un sac en polyéthylène), obtenir leur remplacement auprès d'AudioQuest. Nous proposons des matériaux d'emballage à un prix nominal ; les frais d'expédition seront payés par la personne ou l'entreprise qui commande les matériaux d'emballage. Ne pas recourir à d'autres méthodes d'emballage, notamment à celles fournies ou suggérées par les compagnies d'emballage ou transport de colis. Ces méthodes et matériaux peuvent gravement endommager le produit et sa finition. Même la perte du sac en polyéthylène épais suffit à causer des dommages permanents de la finition pendant le transport. Si les matériaux d'emballage d'origine sont perdus, veiller à obtenir des emballages de rechange auprès d'AudioQuest.

Source d'alimentation

Idéalement, la source électrique à laquelle PowerQuest 707 EU est connecté doit être suffisante pour une utilisation à une tension nominale monophasée de 220-240 V et de 10 ampères (capacité de courant RMS ou supérieure).

Pour fonctionner correctement, PowerQuest 707 EU nécessite une mise à la terre de sécurité (fournie par la prise murale du service d'alimentation).

Placement

PowerQuest 707 EU comporte quatre pieds en polymère à caoutchouc texturé permettant un placement en toute sécurité sur toute table, armoire, étagère ou plancher. Lorsque le montage en rack est nécessaire, ces pieds peuvent être retirés à l'aide d'un tournevis Phillips standard. Le placement ou la proximité des autres éléments ne sont pas d'une importance particulière et, sous une utilisation normale, le PowerQuest 707 EU ne dégage aucune chaleur notable. PowerQuest 707 EU peut être monté en rack dans une étagère standard de 19" en fixant les adaptateurs de rack 2U inclus. Pour fixer les adaptateurs de rack optionnels sur le châssis de PowerQuest 707 EU,

retirez d'abord les trois vis Phillips à tête plate de la partie avant des deux côtés gauche et droit de l'assemblage du couvercle. Ensuite, montez les adaptateurs du rack à plat contre l'arrière du panneau avant de PowerQuest 707 EU. Enfin, fixez les adaptateurs du rack en place en installant les vis Phillips à tête cylindrique du kit de montage sur rack.

Lorsque des installations dans des espaces exigus ne permettent pas de disposer d'un espace suffisant dans un rack, une étagère ou une armoire, PowerQuest 707 EU peut être placé sur le côté. Ce positionnement ne compromettra pas la sécurité ou les performances, mais nous recommandons de placer une serviette ou un tapis doux sous l'unité pour éviter que le châssis et le panneau avant ne soient rayés ou abimés de quelque manière que ce soit.

Connexion aux composants audio/vidéo

Acheminement des câbles d'alimentation

Une fois le PowerQuest 707 EU en place, un câble électrique CA à courant élevé de 10 ampères (ou plus) doit être raccordé au connecteur d'entrée CA du panneau arrière (IEC-C14). Le câble électrique CA doit être équipé d'un connecteur femelle IEC-C13 et d'une prise mâle 220-240 VCA EU/Schuko avec mise à la terre pour une utilisation. Nous recommandons vivement l'utilisation du câble électrique CA PowerQuest fourni ou de tout autre câble électrique CA AudioQuest des séries « NRG-Z », « Wind » ou « High-Current Storm ».

Face au panneau arrière de PowerQuest 707 EU, l'entrée IEC-C14 se trouve sur le côté inférieur gauche de l'unité. Le câble électrique CA doit être connecté à une prise CA appropriée (voir « Source d'alimentation »).

Dans la mesure du possible, il est préférable de laisser au moins env. 7 cm entre les câbles CA et n'importe quel câble de signal. Lorsque cela n'est pas possible dans un agencement pratique du câblage du système, le croisement des câbles CA et des câbles de signal à 90 degrés est le meilleur moyen de minimiser les bruits induits.

Prises à courant élevé | faible impédance

L'unité dispose de trois prises électriques à courant élevé/faible impédance (numérotées « 1 » à « 3 » – trois prises discrètes au total). Ces prises sont dotées de notre technologie de correction de puissance transitoire (45 ampères de crête – jusqu'à 25 mS) et sont conçues pour améliorer les performances des amplificateurs de puissance via notre circuit de réserve de courant transitoire à faible impédance. Les amplificateurs de puissance, les amplificateurs monoblocs, les amplificateurs intégrés, les récepteurs alimentés ou les caissons de base alimentés doivent être connectés à ces deux prises.

Quelle que soit la classe de fonctionnement ou la topologie du circuit (à lampes, à semi-conducteurs, numérique ou autre), le circuit de correction de puissance transitoire ne comprime pas le courant des amplificateurs de puissance quels qu'ils soient. Au contraire, il améliore les performances de l'amplificateur en fournissant la source électrique à faible impédance dont l'alimentation électrique de l'amplificateur a si désespérément besoin.

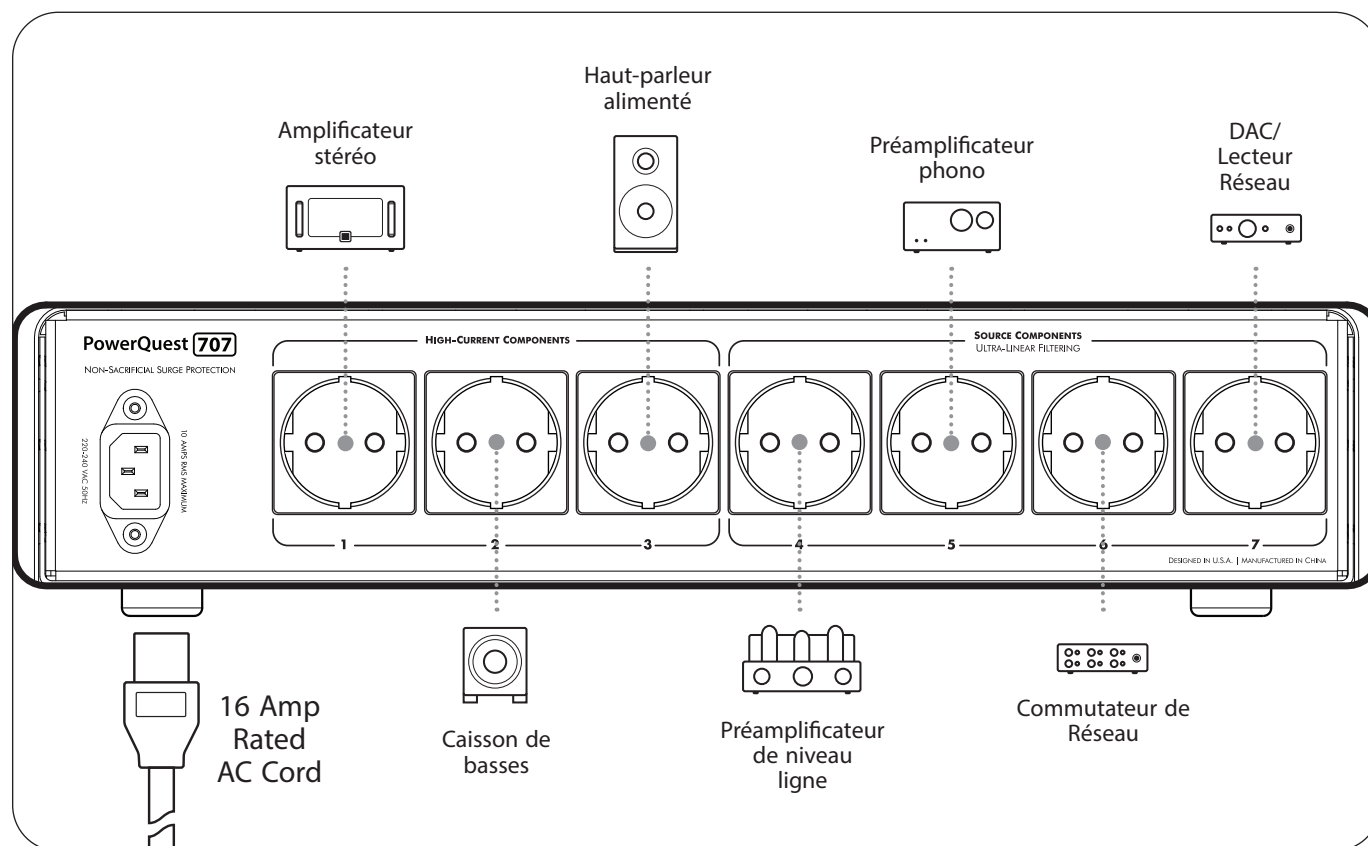
Toutefois, les trois autres prises CA (filtrage du bruit ultra-linéaire), ne sont pas optimisées pour la plupart des amplificateurs de puissance. Elles ont été optimisées pour les préamplificateurs audio de niveau ligne, les DAC, les lecteurs universels, les platines vinyles et les produits vidéo qui utilisent des circuits d'amplification de tension à courant constant. Ces circuits ne souffrent jamais de compression de courant, mais leur niveau d'entrée plus faible et leur gain plus élevé nécessitent une solution plus robuste pour la dissipation du bruit. C'est la clé des blocs d'alimentation CA discrètes de PowerQuest 707 EU, dans lesquelles chaque circuit n'est pas traité de la même manière, mais plutôt isolé batterie par batterie et optimisé pour obtenir les meilleures performances.

Prises électriques filtrées ultra-linéaires

Il existe quatre prises (4 prises discrètes en tout, numérotées « 4 » à « 7 ») qui utilisent cette technologie dans le PowerQuest 707 EU. Les huit prises sont à leur tour isolées des prises à courant élevé/faible impédance, numérotées de 1 à 4. C'est très avantageux pour le contrôle des interactions complexes des fréquences radio et autres bruits induits présents dans le courant alternatif des services publics, le contrôle du bruit qui sera présent sur et dans chaque câble CA et le contrôle du bruit généré à l'intérieur des composants du système qui « reflue » dans les circuits de sortie de PowerQuest 707 EU.

Il serait facile de recommander de placer les composants numériques ou vidéo dans les prises 4, 5 et les composants audio de niveau ligne et les tables tournantes dans les prises 6 et 7 mais la recherche d'une performance optimale est plus complexe. Cette stratégie fonctionnera, voire même bien, mais une certaine expérimentation est préconisée, sachant qu'aucun filtre ne peut éliminer 100 % de tous les bruits. Bon nombre de ces formes d'ondes induites par les fréquences radio possède des ondes sinusoïdales aussi petites que le bord d'un morceau de papier, et les interactions sont complexes. Tant que les amplificateurs de puissance sont branchés dans les bonnes prises (1 à 3) et que les autres composants sont dans les prises 4 à 7, vous devriez bénéficier de performances exemplaires.

Connexions CA suggérées



Remarque : les prises 4 à 7 sont soumises à de nombreuses variables et conditions de circuit, l'expérimentation est donc encouragée pour obtenir les meilleurs résultats possibles. Les amplificateurs de puissance doivent être connectés aux prises 1 à 3.

Fonctionnement et utilisation en continu

Interrupteur d'alimentation | disjoncteur et indicateur d'alimentation à LED

Une fois que les câbles CA sont correctement connectés à la prise de courant alternatif et que les composants sont branchés dans les bonnes prises de courant, il est possible d'alimenter le PowerQuest 707 EU en toute sécurité. Sur le côté droit du panneau avant du PowerQuest 707 EU, se trouve un interrupteur à bascule noir. Appuyer fermement sur le haut de l'interrupteur à bascule pour l'enfoncer de sorte que sa partie supérieure soit alignée avec le panneau avant. Au bout de quelques secondes généralement, un ou plusieurs déclics de relais à l'intérieur du PowerQuest 707 EU. En même temps, le voyant indicateur d'alimentation LED du panneau frontal s'allume en vert pour indiquer que l'appareil est opérationnel (se cela ne se produit pas, voir le « Guide de dépannage » dans ce manuel).

Consommation de courant du PowerQuest 707 EU

Le circuit de correction de puissance transitoire crée un appel de courant réactif d'environ 3 à 4 ampères RMS au repos (la consommation réelle représente une petite fraction d'un ampère), et les techniciens électriques qui connectent une sonde de courant à un produit de ce genre sont souvent alarmés : ils soupçonnent le produit d'être défectueux ou de tirer un courant très élevé de la prise murale (similaire à un récepteur AV laissé en mode opérationnel complet).

C'est en fait très loin de la vérité. Si le PowerQuest 707 EU consommait autant de courant (ou même 30 % de ce niveau), il devrait dissiper cette perte d'énergie sous forme de chaleur. Il serait assez chaud (voire brûlant) au toucher, comme la plupart des amplificateurs de puissance en marche. En fait, le PowerQuest 707 EU reste froid, précisément parce que cette lecture du courant est fautive. Le circuit utilise une réaction capacitive massive sur la ligne CA, qui, comme une batterie, va à la fois absorber et libérer immédiatement le courant plusieurs fois par seconde. De plus, lorsqu'elles sont intégrées à des alimentations électriques telles que celles que l'on trouve dans les amplificateurs de puissance, les courants mesurés diminuent. Cela est dû à une « charge vectorielle » un phénomène particulièrement dynamique dans un système audio/vidéo. Dans ce scénario, un élément peut être un peu plus chaud en marche que normalement : le câble électrique CA qui fournit l'énergie au dispositif PowerQuest 707 EU. Cela est dû au fait que le câblage et le disjoncteur qui alimentent PowerQuest 707 EU se contentent de regarder le courant RMS et ne font pas la distinction entre les charges réactives, les charges résistives ou les charges inductives, contrairement au réseau électrique.

Ce circuit et de nombreux autres semblables sont utilisés depuis de nombreuses années et, lorsqu'ils sont testés dans des bâtiments en l'absence absolue de toute charge à part le circuit de correction des courants transitoires, la consommation de courant mesurée par le compteur électrique est quasi-nulle. Malgré tout, à une époque où les soi-disant « compteurs intelligents » sont omniprésents et où certaines compagnies d'électricité envisagent éventuellement de modifier leurs normes définissant « quel type de courant électrique est facturable », nous avons fait notre possible pour proposer une alternative à ceux que cela préoccupe mais qui souhaitent néanmoins obtenir les meilleurs résultats audio/vidéo possibles.

Indicateur de protection contre les surtensions

Une partie de la protection contre les surtensions non-sacrificielle du PowerQuest 707 EU est dédiée à un circuit de coupure en cas de tension extrême à action rapide. Si plus de 270 VCA sont présents sur la ligne CA entrante pendant plus d'un quart de seconde, le circuit ouvrira instantanément un relais à haute intensité qui coupera l'alimentation CA de toutes les prises CA du PowerQuest 707 EU, activant l'indicateur d'alerte à LED rouge du panneau frontal « Protection contre la surtension ». Une fois que l'incident est passé ou que le défaut de câblage du bâtiment a été corrigé, le circuit se réengage automatiquement.

Durée de rodage | Utilisation continue

Le PowerQuest 707 EU est fabriqué à partir d'une variété de composants passifs et actifs. En tant que tel, PowerQuest 707 EU permet une utilisation continue, tout comme n'importe quel autre composant audio/vidéo. Cela ne veut pas dire que vous serez obligé de « souffrir » pendant des semaines ou des mois de performances intolérables jusqu'au « jour magique » où les pièces seront complètement rodées et prêtes. Au contraire, le PowerQuest 707 EU fonctionnera très bien dès l'instant où vous l'utiliserez. Il s'améliorera progressivement, par petits paliers, sur une période d'environ deux semaines. Laisser le PowerQuest 707 EU allumé pendant cette période aidera le processus, il est également tout à fait acceptable d'éteindre l'unité; faire cela augmentera simplement le temps nécessaire pour atteindre le « rodage » final.

PowerQuest 707 EU bénéficie d'une garantie de 5 ans, mais a été conçu pour durer plus de deux décennies. Pour autant que PowerQuest 707 EU soit utilisé à l'intérieur d'une maison, d'un magasin, d'un studio ou d'un bureau avec des conditions ambiantes raisonnables (7 degrés à 38 degrés Celsius, avec moins de 20 % d'humidité), il peut être laissé en utilisation continue; aucune pièce n'est sujette à l'usure.

Spécifications

PowerQuest 707 EU

- **Suppression des surtensions** : non-sacrificielle (aucun dommage avec des tests de surtension d'entrée répétés de 6000 V/3000 A, ce qui est le maximum pouvant survivre à travers le panneau électrique CA d'un bâtiment).
- **Voltage d'arrêt en cas de tension extrême** : 270 VCA (activera le relais principal à haute intensité pour qu'il s'ouvre en moins de 0,25 seconde; se réinitialise automatiquement lorsque la puissance entrante se situe dans une plage de sécurité).
- **Filtrage du bruit en mode différentiel** : dépasse largement 22 dB de 8 kHz à 1 GHz, linéarisé pour une impédance de ligne (croissante) dynamique présentant la fréquence (source) et une charge de 10 à 50 ohms, *dépendant du courant du système.*
- **Filtrage du bruit en mode commun** : dépasse largement 22 dB de 30 kHz à 100 MHz, linéarisé pour une impédance de ligne (croissante) dynamique présentant la fréquence (source) et une charge de 10 à 50 ohms, *dépendant du courant du système.*
- **Capacité maximale du courant d'entrée** : 10 ampères RMS
- **7 prises CA** : 3 corrections de puissance transitoire/à courant élevé; 4 filtrages ultra-linéaires.
- **Consommation électrique** : typiquement, moins de 0,5 ampère à l'entrée 220-240 VCA, avec tous les composants connectés en fonctionnement. (*Dépend d'une charge vectorielle réactive. Pour plus d'informations, voir « Fonctionnement et utilisation en continu » : appel de courant PowerQuest 707 EU. »*)
- **Dimensions** : 43,0 cm de large x 8,6 cm de haut (9,4 cm avec pieds attachés) x 37,8 cm de profondeur (2 adaptateurs de montage en rack 2U fournis)
- **Poids** : 7,6 kg

PowerQuest PQ-716 Câble électrique CA (2 m)

- 2,5 mm² | Capacité de 16 A RMS à 220-240V 50Hz; prise murale mâle NEMA avec connecteur femelle IEC C-13
- Conducteurs semi-solides concentriques en cuivre à long grain (LGC)
- Technologie ZÉRO (aucune d'impédance caractéristique) pour un transfert de courant sans compression
- La technologie RF/ND minimise les problèmes de circuit en supprimant les bruits RF induits
- Les conducteurs à direction contrôlée garantissent que le bruit induit est correctement drainé et dissipé

Guide de dépannage

Chez AudioQuest, nous apprécions que vous nous contactiez. Toutefois, si vous avez des questions, des problèmes ou si vous pensez que votre PowerQuest 707 EU nécessite un entretien, veuillez commencer par ces étapes.

Il n'y a pas de courant dans aucune des prises électriques de courant alternatif.

Lorsque l'indicateur d'alimentation LED du panneau avant du PowerQuest 707 EU passe au vert, l'appareil est opérationnel. Si l'indicateur Protection enclenchée n'est pas allumé, envisagez ce qui suit :

- La partie supérieure de l'interrupteur basculant du panneau avant est-elle complètement alignée avec le châssis?
- Le câble électrique CA est-il entièrement inséré dans la prise d'entrée CA du PowerQuest 707 EU?
- Le câble électrique CA est-il correctement branché dans la prise murale de service de courant alternatif?
- La prise secteur (CA) murale fonctionne-t-elle correctement?

Branchez dans la prise un autre composant, produit ou lampe pour vérifier que l'alimentation est présente et que le disjoncteur du panneau électrique ne s'est pas déclenché. S'il n'y a qu'une ou deux prises de courant alternatif qui n'ont pas de puissance de sortie, il se peut qu'un composant ne fonctionne pas correctement. Vérifiez la prise CA avec un appareil simple et connu comme une lampe.

Il n'y a pas de courant dans aucune des prises de sortie CA et l'indicateur rouge de protection contre les surtensions du panneau avant est allumé.

Cela indique soit qu'il y a plus de 270 VCA (+/-5 V) sur la prise murale de courant alternatif, soit que le circuit de protection du PowerQuest 707 EU est mal calibré. Ce dernier cas est très rare. (Ce circuit est réglable, mais il est testé et retesté avant de quitter l'usine, et il est collé en place et ne peut donc pas se dérégler durant le transport). Utilisez un voltmètre CA pour déterminer si votre prise a une tension trop élevée pour un fonctionnement sûr ou si un défaut de câblage n'est pas à l'origine du problème.

Une fois que la puissance est amenée dans une plage sûre pour le fonctionnement (180 VCA à 265 VCA), le circuit de protection du PowerQuest 707 EU passera automatiquement en mode opérationnel et l'indicateur vert s'allumera.

Le disjoncteur/interrupteur basculant principal a basculé en position basse (arrêt) pendant que le système était en cours de lecture.

Vous avez peut-être dépassé la capacité maximale de courant de PowerQuest 707 EU. Cela devrait être rare mais reste possible. Les amplificateurs de puissance typiques tirent environ un tiers de leur consommation maximale de courant à 220-240 VCA, comme indiqué dans les spécifications du produit (figurant généralement dans le manuel du propriétaire). C'est rendu encore plus compliqué par le fait que la consommation électrique vers toutes les prises CA (1 à 7), est une consommation cumulée sur la capacité maximale de courant de 10 ampères qui fera basculer cet interrupteur électrique/ce disjoncteur magnétique.

Le circuit de correction de puissance transitoire peut également contribuer à la consommation globale vue par le disjoncteur. Néanmoins, il est rare que la capacité totale soit dépassée, mais étant donné que certains téléviseurs, projecteurs et amplificateurs de puissance peuvent tirer un courant substantiel, ce n'est certainement pas impossible. Si c'est le cas, une unité PowerQuest 707 EU supplémentaire, et un fonctionnement discret sur courant alternatif de 16 ampères sur la même phase que le panneau électrique, seront nécessaires pour certains ou tous les amplificateurs de puissance.

Un technicien ou un électricien a découvert que mon PowerQuest 707 EU consommait plus de 3 ampères de courant. Est-il défectueux?

Non, il n'est pas défectueux, et il ne consomme pas plus de 3 ampères dans le sens conventionnel du terme. Le circuit de correction de puissance transitoire de PowerQuest 707 EU crée un appel de courant réactif d'environ 3 à 4 ampères RMS au repos et, lorsqu'il est intégré à des alimentations électriques telles que celles que l'on trouve dans les amplificateurs de puissance, les lectures de courant diminuent. Il s'agit d'une charge vectorielle, qui varie en fonction de l'équipement connecté. Lorsqu'il est branché sur une prise secteur (CA) qui n'a pas d'autre demande électrique, il est courant de voir une demande de courant RMS réel bien inférieur à 60 watts à l'arrêt.

Ma maison ou mes terres ont été frappées par la foudre. PowerQuest 707 EU semble fonctionner correctement. Doit-il être envoyé pour inspection ou service?

Si vous voyez ou sentez de la fumée provenant de l'unité, c'est qu'elle a besoin d'être entretenue. Sinon, si le PowerQuest 707 EU fonctionne après un tel incident (ce qui est très probable), c'est qu'il n'y a aucun problème ou dommage. Si le système tombe en panne après un tel incident, la défaillance sera totale. Une défaillance après un tel événement est habituellement une défaillance complète. Toutefois, cela est très peu probable. Le circuit est conçu pour gérer sans difficulté toute pointe de tension ou de courant susceptible de traverser un panneau électrique. La force nécessaire pour endommager un PowerQuest 707 EU via une surtension électrique ferait fondre le panneau et brûlerait le bâtiment (dans ce cas, le PowerQuest 707 EU est le dernier de vos soucis).

Comment nettoyer le châssis?

Le châssis peint en noir et le panneau avant anodisé noir du PowerQuest 707 EU peuvent être nettoyés avec du liquide AudioQuest CleanScreen, ou avec une légère couche de produit nettoyant pour vitres. Veuillez utiliser un chiffon doux en coton ou en laine pour enlever le liquide de la surface métallique et peinte. N'utilisez jamais d'alcool ou de produits nettoyants à base de solvants. Ils peuvent endommager les surfaces, la peinture et le matériel de sérigraphie.

J'entends un léger bruit de bourdonnement provenant de PowerQuest 707 EU. Est-il endommagé?

Non, il n'est pas endommagé (ou, du moins, il est très peu probable qu'il soit endommagé). Si vous êtes dans une pièce extraordinairement silencieuse et que vous n'entendez ce léger bourdonnement que lorsque vous êtes relativement proche de PowerQuest 707 EU, ou seulement lorsque vous placez votre oreille à côté de l'unité, le bourdonnement est normal et, malheureusement, ne peut pas être complètement éliminé.

Ce que vous expérimentez est une variation de l'effet de « magnétostriction ». Lorsqu'une quantité extraordinairement élevée de distorsion harmonique est présente sur une ligne CA, une partie du circuit de correction de puissance transitoire qui est hermétiquement scellé et amorti peut émettre un bourdonnement mécanique car ses plaques électriques internes résonnent à 50 hertz et à de nombreuses octaves au-dessus. Afin de réduire ou d'éliminer cette distorsion harmonique, le circuit tente de transformer cette distorsion en chaleur. Cela n'a aucun effet sur les performances ou la longévité de PowerQuest 707 EU ou de ses composants connectés.

Garantie

Le groupe Quest, DBA : AudioQuest, garantit à l'acheteur original de ce produit PowerQuest 707 EU de AudioQuest sera exempt de défauts de matériaux et de fabrication pendant une période d'un an. L'acheteur du produit a 30 jours à compter de la date d'achat pour compléter l'enregistrement de la garantie en ligne sur le site d'AudioQuest : <https://www.audioquest.com/page/aq-product-registration.html>. Si l'acheteur complète l'enregistrement susmentionné, la période de garantie sera portée à cinq ans à compter de la date d'achat.

Si le produit n'est pas conforme à cette garantie limitée pendant la période de garantie (comme indiqué ci-dessus), l'acheteur doit notifier à AudioQuest par écrit (ou par courriel) les défauts contestés. Si les défauts sont d'un type et d'une nature tels qu'ils doivent être couverts par cette garantie, AudioQuest autorisera l'acheteur à retourner le produit à l'usine AudioQuest (2621 White Road, Irvine, Californie, 92614 États-Unis). Les demandes de garantie doivent être accompagnées d'une copie de la facture d'achat originale indiquant la date d'achat; cela n'est pas nécessaire si l'enregistrement de la garantie a été complété en s'inscrivant en ligne sur le site d'AudioQuest. Les frais d'expédition à l'usine AudioQuest (Irvine, Californie, États-Unis) doivent être prépayés par l'acheteur du produit. AudioQuest fournira, à ses frais, un produit de remplacement ou, à sa discrétion, réparera le produit défectueux. Les frais d'expédition de retour à l'acheteur seront payés par AudioQuest.

Toutes les garanties contenues dans ce document sont nulles et non avenues si : le produit d'alimentation CA AudioQuest a été ouvert, installé de façon incorrecte, altéré de quelque façon que ce soit, ou trafiqué. AudioQuest n'est pas responsable des équipements connectés ou des réclamations pour des dommages subis par l'équipement connecté suite à une surtension CA, une crête ou un événement de surtension, à moins qu'AudioQuest ne détermine, après une inspection et un test approfondis effectués par ses soins (avec le produit expédié à AudioQuest États-Unis aux frais du propriétaire), que le circuit de protection a fonctionné de manière incorrecte, en totalité ou en partie. AudioQuest n'est pas responsable des équipements connectés endommagés à cause de lignes de signaux externes (lignes électriques à courant non alternatif) transportant une tempête électrique ou subissant une surtension ou une intensité de crête en raison d'un défaut de câblage du signal (connexions Ethernet, câblées et satellitaires, etc.). Tous les produits électriques CA AudioQuest doivent être branchés directement sur une ligne électrique CA correctement câblée avec une mise à la terre de protection.

Les produits électriques CA d'AudioQuest ne peuvent pas être branchés en guirlande avec d'autres blocs d'alimentation CA, des onduleurs, d'autres protecteurs de surtension CA, des conditionneurs d'alimentation CA, des adaptateurs de trois à deux broches ou des rallonges CA. Toute installation de ce type annule la garantie. La garantie AudioQuest ne couvre que les dommages causés à l'équipement correctement connecté ou aux câbles CA si AudioQuest a déterminé, à sa seule discrétion, que le dommage résulte d'un dysfonctionnement d'un circuit du produit électrique AudioQuest ou d'un circuit de protection et ne protège pas contre les cas de force majeure (autres que la foudre, tels que les inondations ou les tremblements de terre), la guerre, le terrorisme, le vandalisme, le vol, l'usure normale, l'érosion, la dégradation, l'obsolescence, l'abus, les dommages dus à des perturbations basse tension (par exemple, les coupures ou les affaissements), ou la modification ou l'altération de l'équipement du système. Ne pas utiliser ce produit de quelque manière que ce soit avec un générateur, un chauffage, une pompe de relevage, des appareils liés à l'eau, des appareils d'assistance vitale, des appareils médicaux ou un chargeur de batterie automobile, de moto ou de voiturette de golf. Utiliser uniquement le dispositif à l'intérieur et dans des espaces secs. Toutes les garanties énoncées dans le présent document sont nulles et non avenues en cas d'utilisation avec l'un des appareils susmentionnés.

LA PRÉSENTE GARANTIE LIMITÉE REMPLACE TOUTE AUTRE GARANTIE, EXPRESSE OU TACITE INCLUANT, SANS TOUTEFOIS S'Y LIMITER, LA GARANTIE IMPLICITE DE CARACTÈRE MARCHAND OU D'ADÉQUATION À UN USAGE PARTICULIER. AudioQuest ne garantit pas les dommages résultant d'une utilisation ou d'une manipulation incorrecte ou anormale du produit, les défauts ou dommages résultant d'une installation inadaptée, les défauts des produits ou composants non fabriqués par AudioQuest, ou les dommages résultant de tels produits ou composants non fabriqués par AudioQuest. Cette garantie sera annulée par AudioQuest à sa seule discrétion si le produit est modifié de quelque manière que ce soit sans l'autorisation écrite d'AudioQuest. Cette garantie ne s'applique pas non plus aux produits sur lesquels des réparations ont été effectuées ou tentées par des personnes autres que celles autorisées par écrit par AudioQuest.

CETTE GARANTIE EST EXCLUSIVE. L'obligation unique et exclusive d'AudioQuest est de réparer ou de remplacer le produit défectueux de la manière et pour la période susmentionnées. AudioQuest n'a aucune autre obligation à l'égard de ce produit ou de toute partie dudit produit, que ce soit sur la base d'un contrat, d'un tort, d'une responsabilité stricte ou autre. En aucun cas, que ce soit sur la base de cette garantie limitée ou autrement, AudioQuest ne sera responsable de dommages incidents, spéciaux ou consécutifs. Les DÉCLARATIONS ORALES OU ÉCRITES de représentants ou d'employés d'AudioQuest NE CONSTITUENT PAS DES GARANTIES, ne doivent pas être invoqués par l'acheteur et ne font pas partie du contrat de vente ou de cette garantie limitée. Cette garantie limitée énonce l'ensemble des obligations d'AudioQuest vis-à-vis du produit. Si une partie quelconque de la présente garantie limitée est jugée nulle ou illégale, le reste conserve toute sa force et son effet.

Les demandes de garantie doivent être accompagnées d'une copie de la facture d'achat originale indiquant la date d'achat. (Si le produit a été enregistré en ligne, cela n'est pas nécessaire.) Avant de retourner un équipement pour réparation, veuillez vous assurer qu'il est correctement emballé et calé dans le sac en polyéthylène d'origine ou dans un nouveau sac fourni par AudioQuest, dans une paire d'inserts en mousse et dans un double carton pour le protéger contre les dommages liés au transport, et qu'il est assuré.

audioquest®