



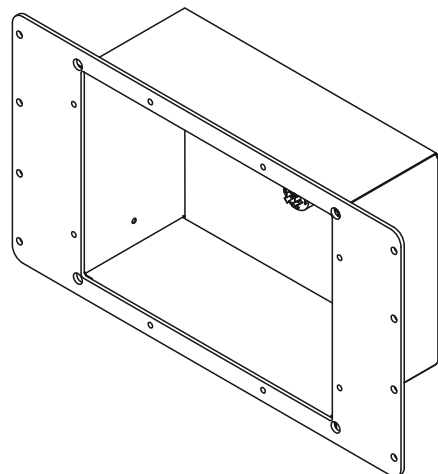
Loudspeaker Technology Ltd
 Gypsy Lane
 Aston Down
 Stroud
 Gloucestershire
 GL6 8HR
 England
 Tel: +44 (0)1285 760561
 Fax: +44 (0)1285 760683
 email: info@atc.gb.net
 web: www.atcloudspeakers.co.uk

Technical Data Sheet

Amp Pack Rack Kit

OVERVIEW

- The Amp Pack Rack Kit consists of 19"6U mounting plate, amp enclosure, amp-to-enclosure wiring loom and O/P connectors. Suitable for use with SCM50/100/110/150.
- Two product build options:
 - Kit for retro-fitting to existing amp in the field (as illustrated right).
 - Factory build, with amp as part of a new loudspeaker-amp system (as illustrated below).
- Speaker level output via rear enclosure mounted Neutrik SpeakON NL8 chassis connector.
- LED Power/Limit indicator output via rear enclosure mounted 5 pin female XLR.
- NL8 - NL8 speaker cables and 5-Pin male XLR - XLR LED cables built to order - length must be specified.
- Front face heatsink mounting allows in wall mounting in closest proximity to loudspeaker location, reducing loudspeaker cable lengths.



SPECIFICATIONS

Rack Kit (No Amp)

- Audio output connector Rear amp enclosure mounted Neutrik SpeakON NL8 chassis connector (bass: pair 1, mid: pair 3, HF: pair 4) Rack Kit - to - Loudspeaker cable supplied separately - Lengths must be specified on order.
- Amp status display O/P connector Rear panel mounted female 5-pin XLR
- Dimensions 19" rack width, 6U height. See below for full details.
- Weight 2.2 kg / 4.8lbs

Rack Kit & Amplifier Assembly

- Output power (per channel) Bass 200W continuous average (0.1% THD, 8Ω)
 Mid 100W continuous average (0.1% THD, 16Ω)
 HF 50W continuous average (0.1% THD, 6Ω)
- Input sensitivity 1V to 2V rms (1V factory set, continuously variable, ref. 200W O/P)
- Input impedance 10kΩ per leg
- Crossover frequencies 380Hz & 3.5kHz (4th order)
- Thd+Noise Better than 90dB (1kHz, 1dB below full rated power, 20kHz test bandwidth)
- Dimensions See below for full details.
- Weight 15.2kg / 33.4lbs

PHYSICAL DIMENSIONS

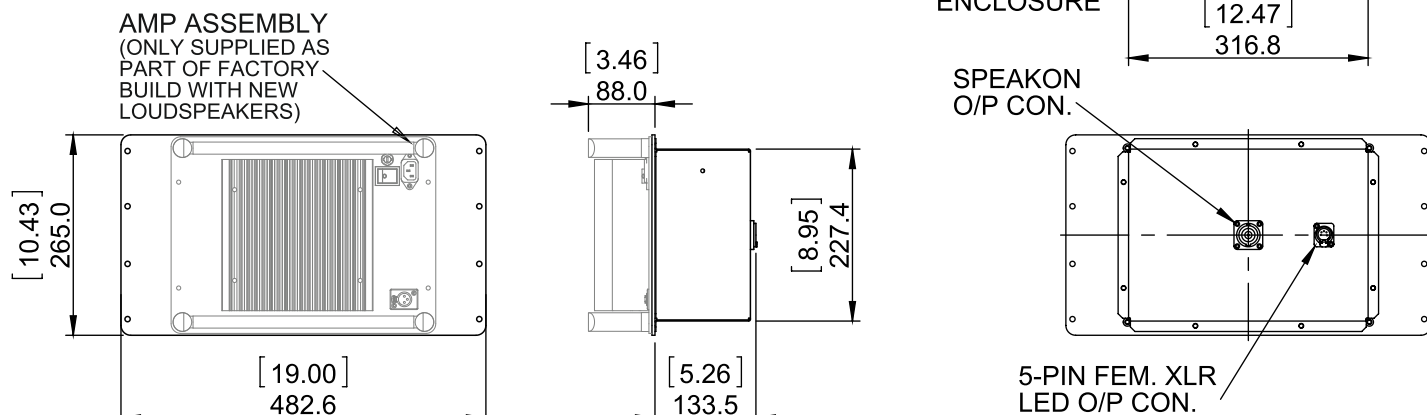
dimensions in mm and [inches]

NOTES:

Illustration below shows complete amp & rack kit assembly, as supplied as a factory build with new active loudspeakers. Amp is not supplied with bare rack kit intended for retro-fit with existing amp (see illustration top right).

Amplifiers are convection cooled - install in a cool, well ventilated space that is also comfortable for human beings.

Allow 185mm/7.3" clearance behind the amplifier for loudspeaker cable connector



ATC reserve the right to change specifications without prior notice

Acoustic Transducer Co. is a trading name and ATC is the registered Trade Mark of Loudspeaker Technology Ltd.