

## OLIS™ 9650 2 DOOR CONSOLE

# Bdi

### Product Registration

Registering your new BDI product allows us to send you important product updates, service information and helpful hints related to your BDI products. Register today, and you will be entered to win free a BINK table from BDI: [www.bdiusa.com/register](http://www.bdiusa.com/register)

[bdiusa.com](http://bdiusa.com)  
[customerservice@bdiusa.com](mailto:customerservice@bdiusa.com)

### Placement and Maintenance

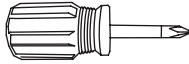

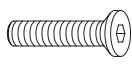
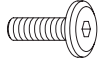

Your Olis Console is designed for indoor use on level floors. Clean wood veneer and steel parts with a moist cloth.

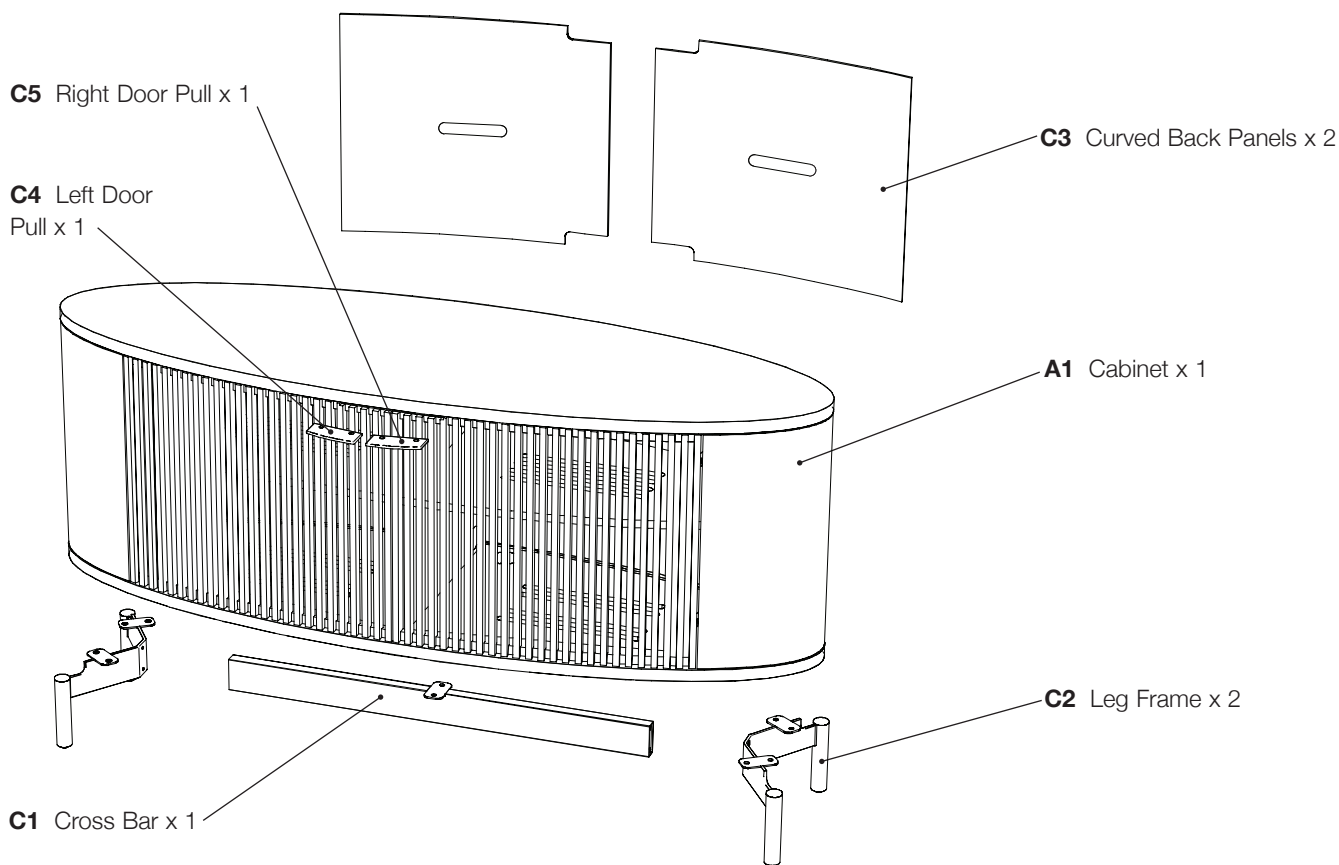
Olis is engineered for easy assembly. Carefully follow this procedure to prevent any damage. Do not use power tools for assembly of this product.

### Step 1

Unpack and identify the parts listed below. The assembly workspace should be a non-marring surface such as carpet. For missing hardware pieces, contact BDI Customer Service at: [customerservice@bdiusa.com](mailto:customerservice@bdiusa.com).

For all other concerns, please contact your BDI retailer.

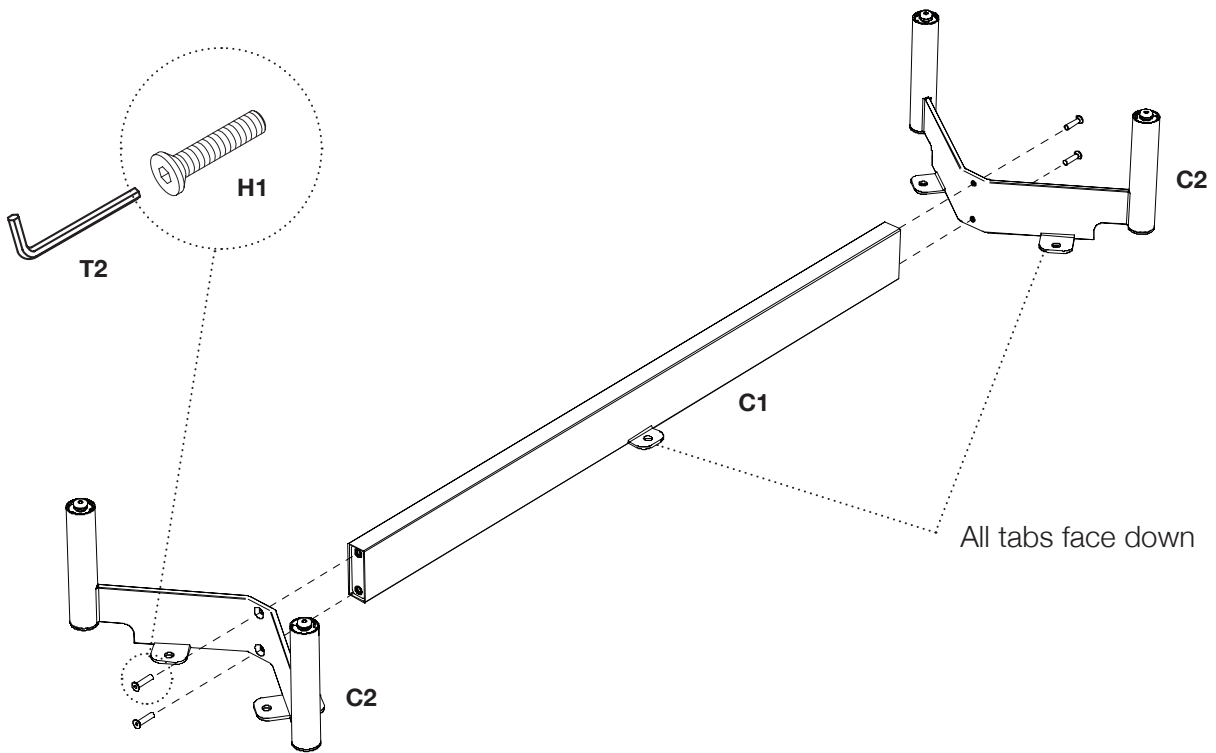
- 
- T1** Phillips Screwdriver x 1
- 
- T2** Hex Wrench x 1
- 
- H1** 1/4-20 x 25 mm FH Machine Screw x 4
- 
- H2** 1/4-20 x 15 mm Machine Screw x 10
- 
- H3** #6 x 5/8" Flathead Wood Screw x 4



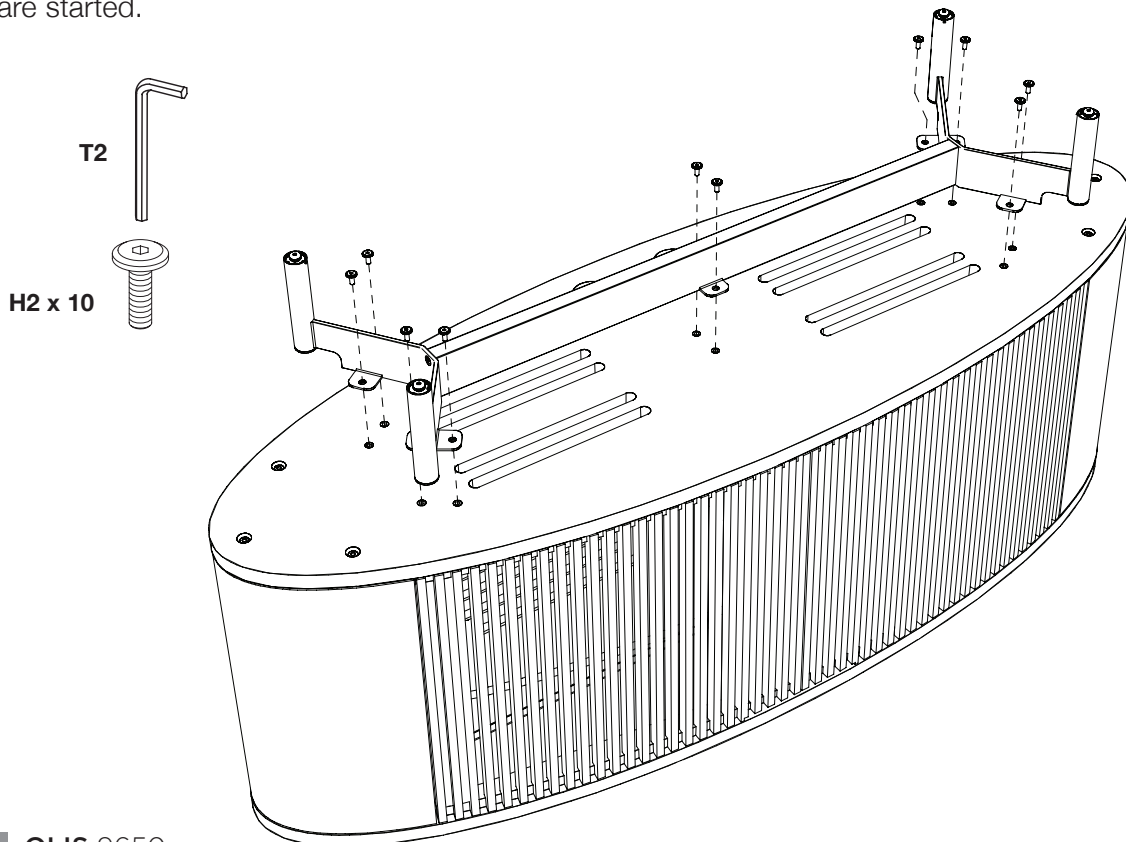
Designed by BDI Studio.

These distinctive product configurations are protected by US and international patents, trade dress, and/or copyright laws. Olis & BDI are trademarks of Becker Designed, Inc. All rights reserved. ©2017, BDI  
Made in China. 08.08.2017 V1

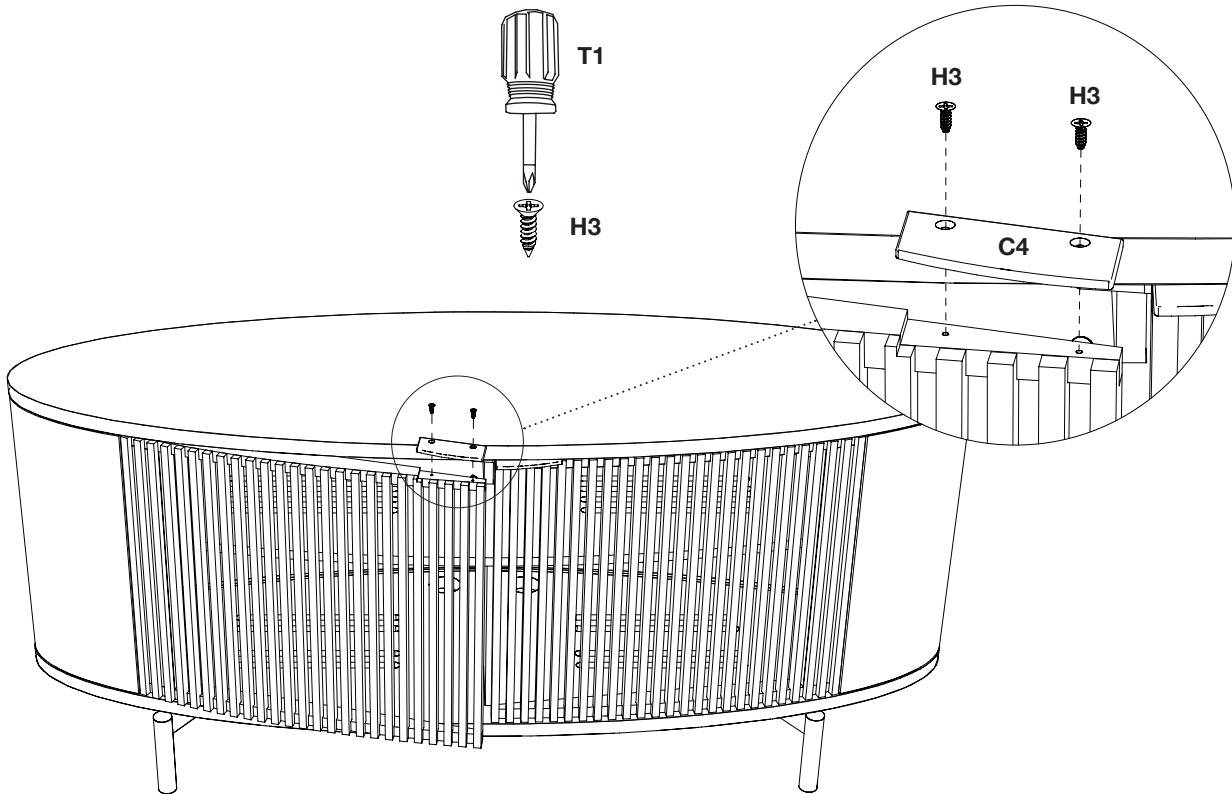
**Step 2 - Attach the 2 leg frames C2 to cross bar C1 with 4 screws H1 using hex wrench T2. Make sure all tabs face downward.**



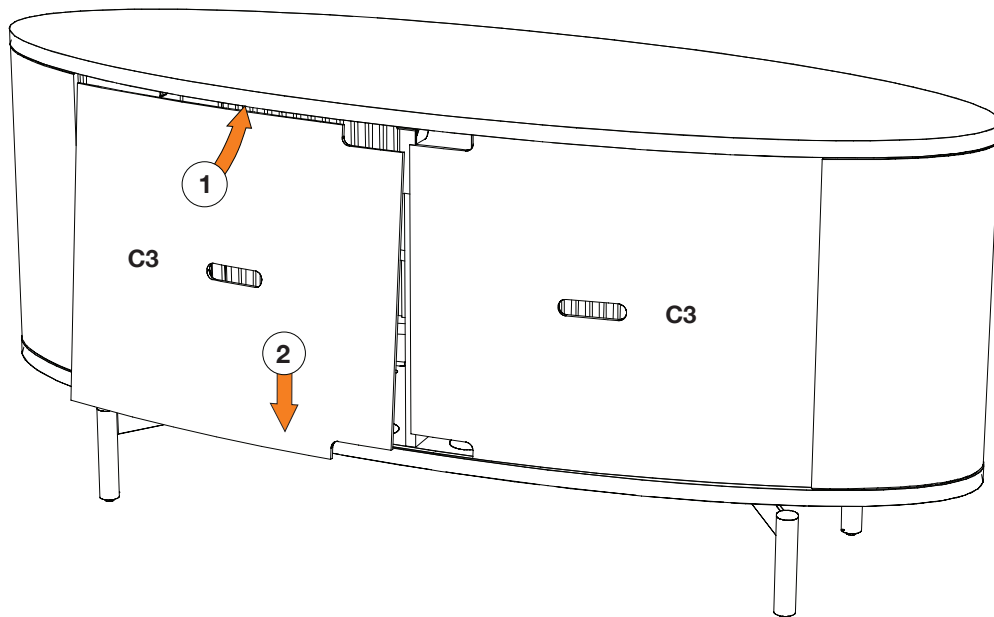
**Step 3 - With help from another person, carefully position the cabinet A1 upside-down (as shown) or on its back. Attach the base to the cabinet with 10 screws H2 using hex wrench T2. Do NOT fully tighten until all 10 screws are started.**



**Step 4** - With help from another person, carefully rotate your Olis Console onto its feet. Partially open left door and install **left door pull C4** using **wood screws H3** and **Phillip's screw driver T1**. Make sure finger scoop is facing down. Repeat with **right door pull C5**.



**Step 5** - The 2 **curved back panels C3** are removable and can slide towards the middle if one panel is removed. To remove lift up and pull the bottom edge out of its groove. To re-install, put the top edge of the back panel into the top groove, then drop the bottom edge into the bottom groove.



## Fine tuning your new BDI Media Furniture

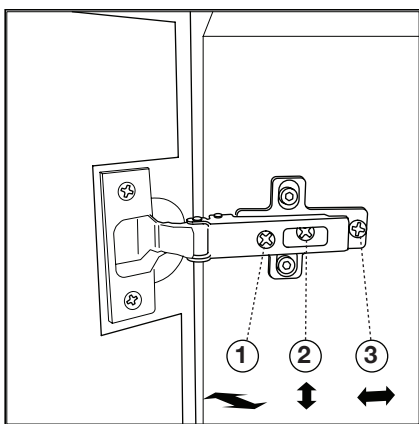
These steps are to be followed after you have unpacked and completed the simple assembly instructions for your console. Due to jostling in freight or perhaps an uneven floor, the doors on your cabinet may not appear to be in perfect alignment. Making a few minor adjustments can rectify this situation. The high-quality European hinge hardware is adjustable. Through a little adjustment, you can modify the orientation of the cabinet doors to make sure that they are sitting perfectly on your unit.

### STEP 1 - Level your unit

Levelers are integrated into each leg assembly and are accessed at the bottom of each cabinet leg. If your floor is uneven, you may extend one or more levelers to attain a level, stable cabinet placement. Turning the leveler clockwise will extend the leveler; turning it counter-clockwise will retract it.

### STEP 2 - Adjust Door Hinges (if needed)

The doors on your console should be evenly spaced and the doors should open and close freely without rubbing against the door frame. If the cabinet's doors appear out of alignment, this condition can be corrected with minor adjustment to the European hinges on each door. Because these hinges are adjustable, adjusting one hinge element can sometimes cause the need for adjustments to other elements. But with a few adjustments, you can modify the orientation of the cabinet doors to make sure that they hang perfectly within your cabinet.



Use the **Phillips Screwdriver T1** supplied to adjust the door hinges:

- By adjusting **Screw 1**, the door will move LEFT or RIGHT within the frame. Make minor adjustments at both top and bottom hinges for best results.
- By adjusting **Screw 2**, the door will move UP or DOWN.
- By adjusting **Screw 3** the entire door will move IN or OUT, opening or closing the gap between the door frame and cabinet. (This screw rarely needs adjustment.)

Tightening screw 1 on top hinge will open the seam between doors here.

Loosening screw 1 on this hinge will close the seam between doors here.

