

VENUE™ 8649G/8649W
MEDIA CONSOLE

bdiusa.com
customerservice@bdiusa.com



Product Registration

Registering your new BDI product allows us to send you important product updates, service information and helpful hints related to your BDI products. Register today, and you will be entered to win free a BINK table from BDI: www.bdiusa.com/register

Placement and Maintenance

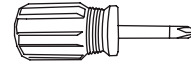
Your Venue console is designed for indoor use on level floors. Clean glass with glass cleaner, and steel parts and wood veneer with a moist cloth.

Venue is engineered for easy assembly. Carefully follow this procedure to prevent any damage. Do not use power tools for assembly of this product.

Step 1

Unpack and identify the parts listed below. The assembly workspace should be a non-marring surface such as carpet. For missing hardware pieces, please contact BDI Customer Service at: customerservice@bdiusa.com.

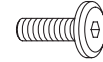
For all other concerns, please contact your BDI retailer.



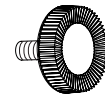
T1 Phillips Screwdriver x 1



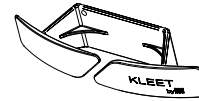
T2 Hex Wrench x 1



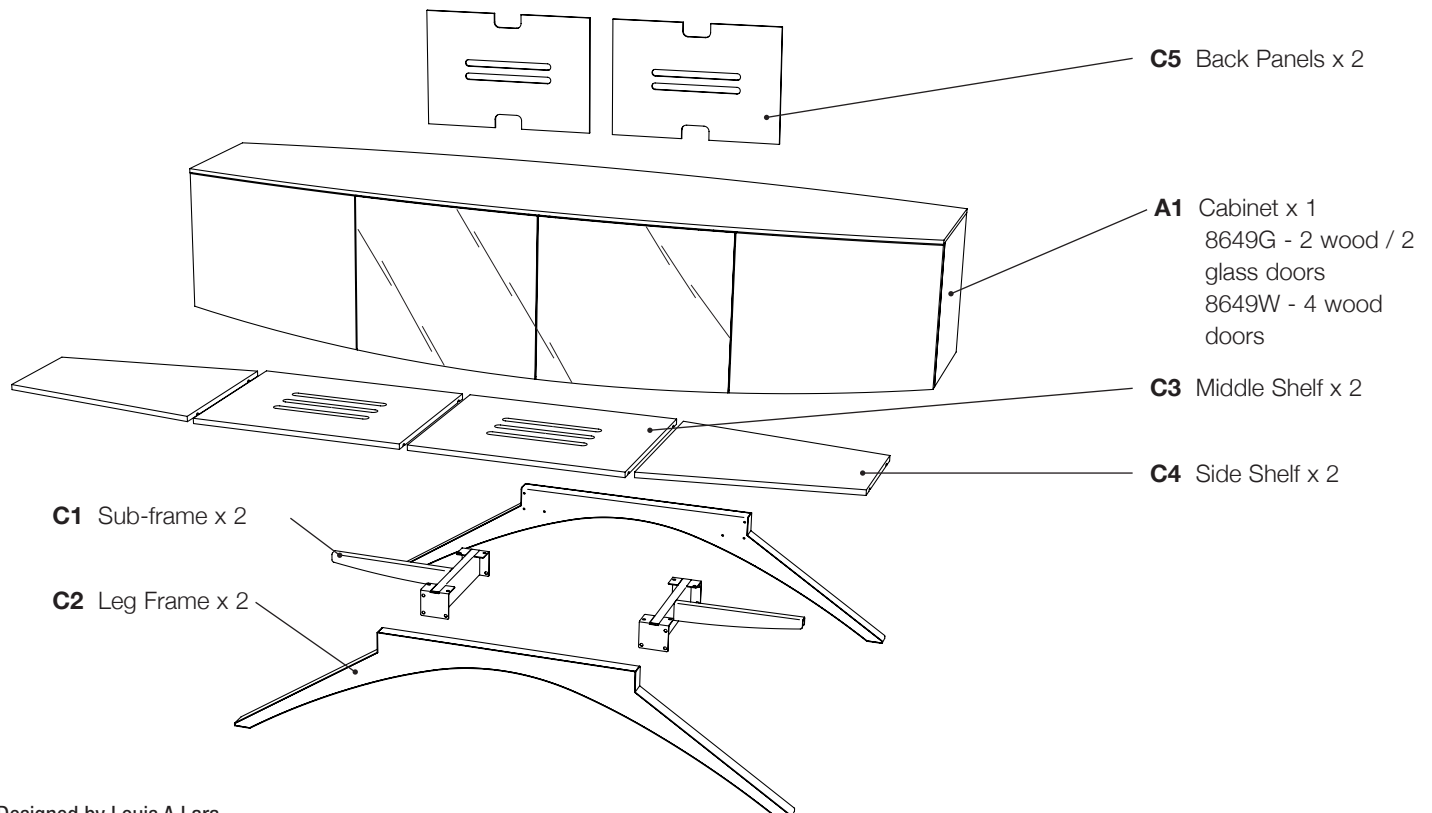
H1 1/4-20 x 16 mm
Machine Screw x 20



H2 Leveler x 4



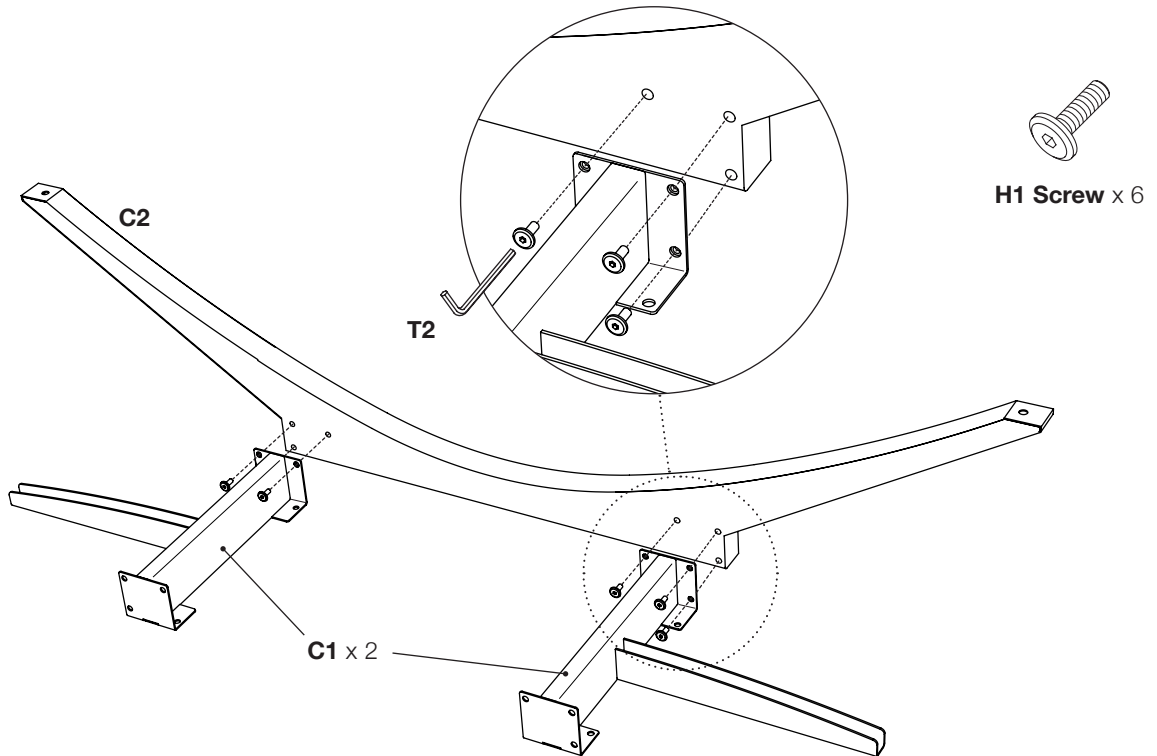
H3 KLEET™ Cord Wrap x 2



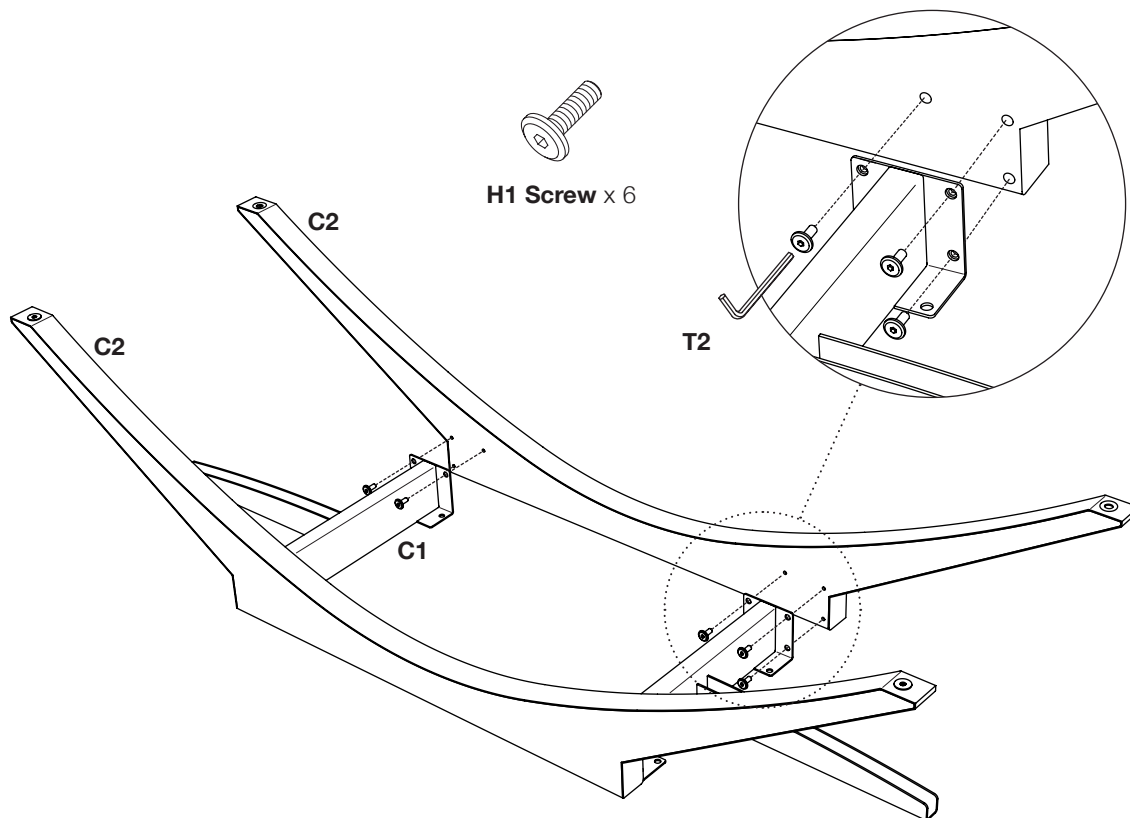
Designed by Louis A Lara.

These distinctive product configurations are protected by US and international patents, trade dress, and/or copyright laws. Venue & BDI are trademarks of Becker Designed, Inc. All rights reserved. ©2016, BDI
Made in China. 08.02.2016 V1

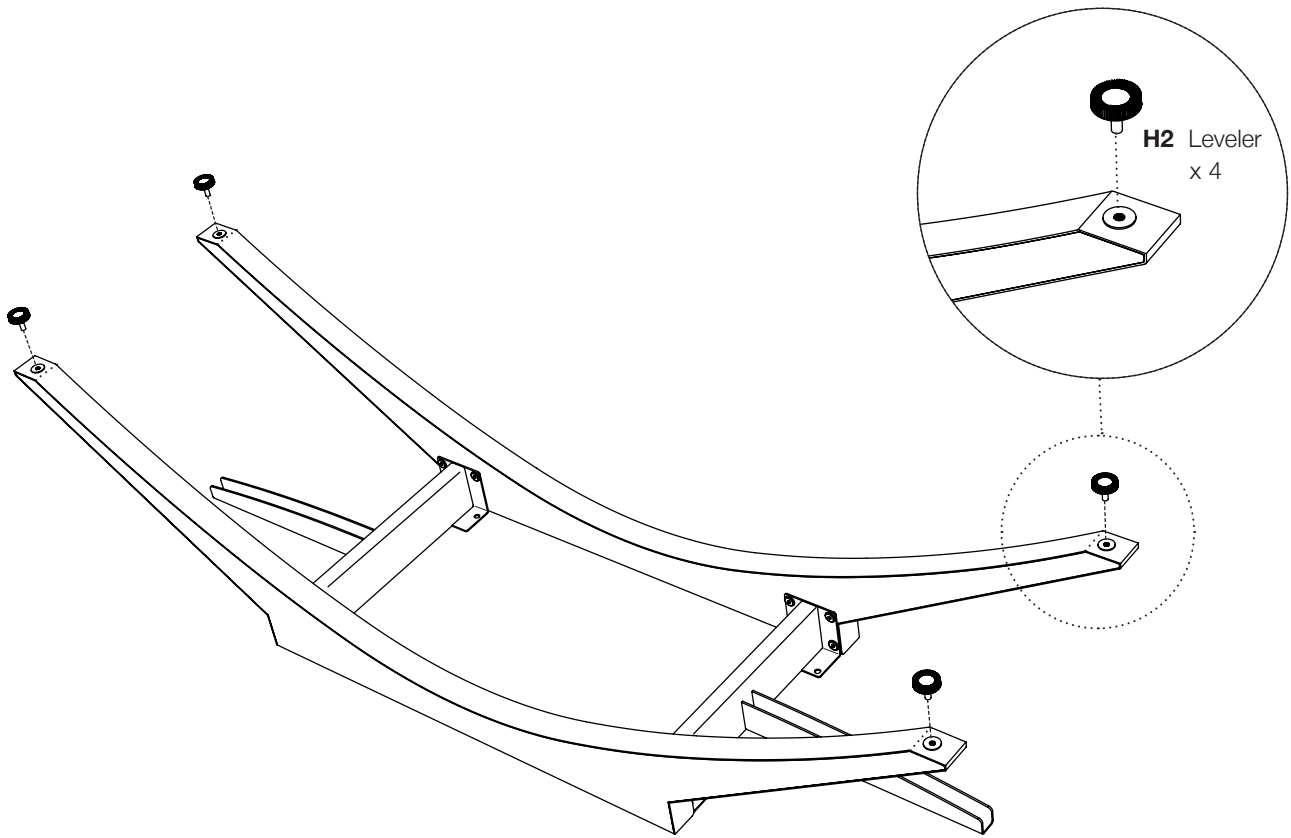
Step 2 - Attach the **2 Sub-frames C1** to one of the **Leg frames C2** with **6 Screws H1** using **Hex wrench T1**. Do **NOT** fully tighten yet.



Step 3 - Attach the second **Leg Frame C2** to the **Sub-frames** with **6 screws H1**. Do **NOT** fully tighten yet.

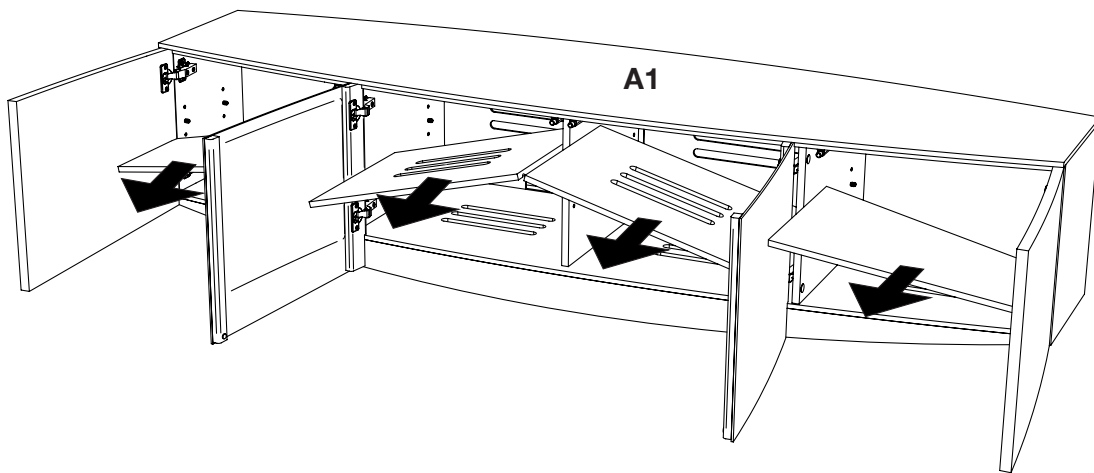


Step 4 - Install 4 Levelers H2 into the threaded holes on the bottom of the Leg Frames.

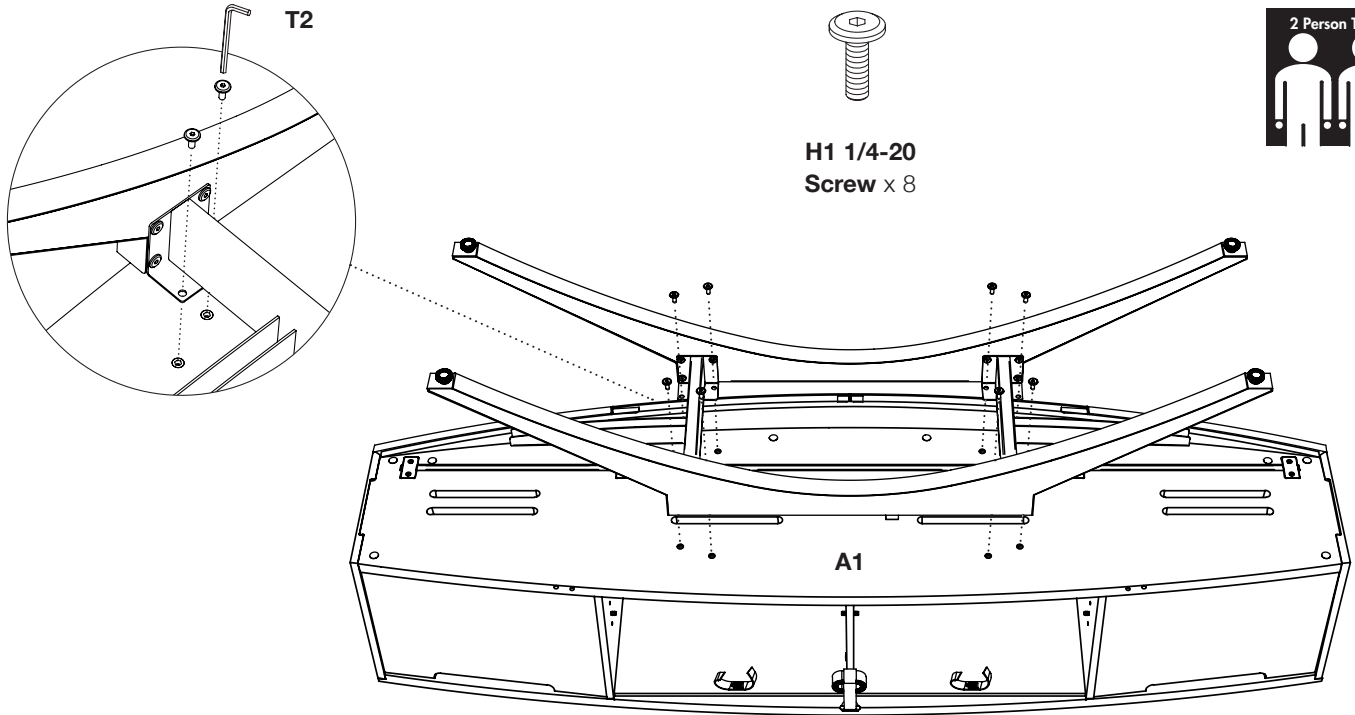


Step 5 - Remove shelves from Cabinet.

Remove any packing material that may be above the shelves. One at a time, remove the 4 internal shelves from the cabinet by lifting the edge (opposite the hinge side) upward and carefully pulling out.



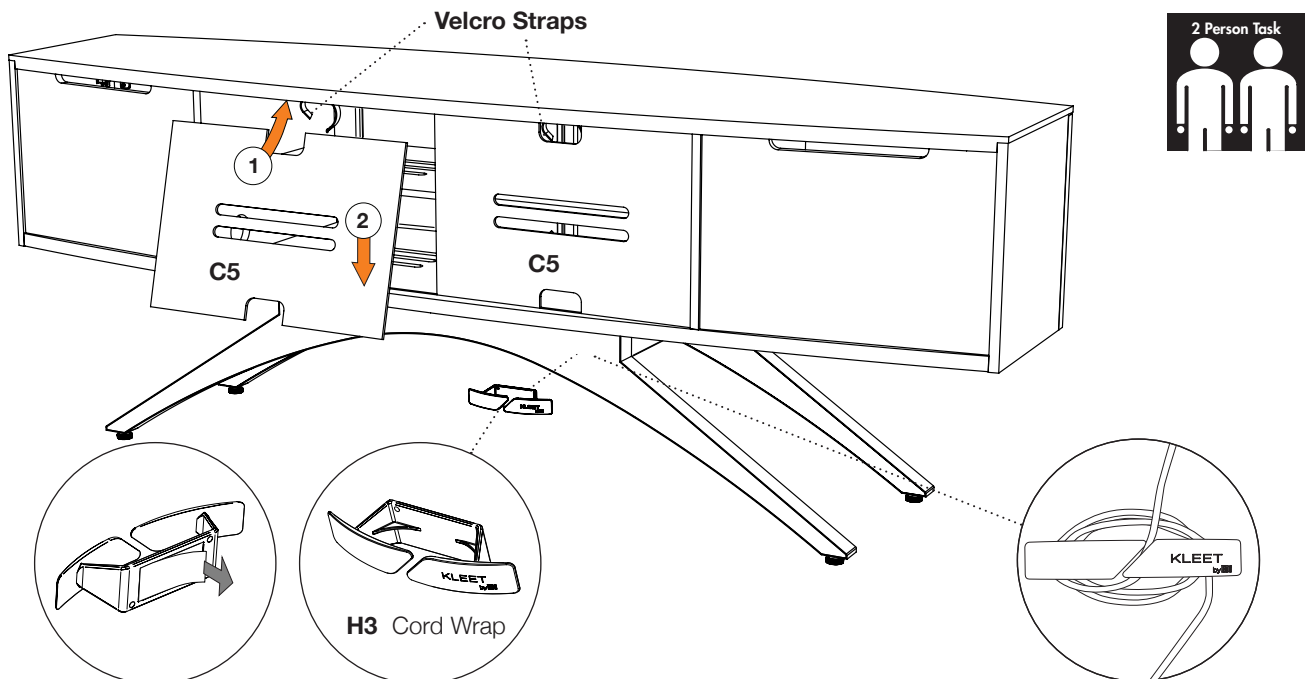
Step 6 - With help from another person, carefully lay the **Cabinet A1** on its top (upside down). Attach the base assembly to the bottom of the **Cabinet A1** with **8 Screws H1** as shown using **Hex Wrench T2**. Once all screws have been started, fully tighten all base screws.



Step 7 - Wire Management

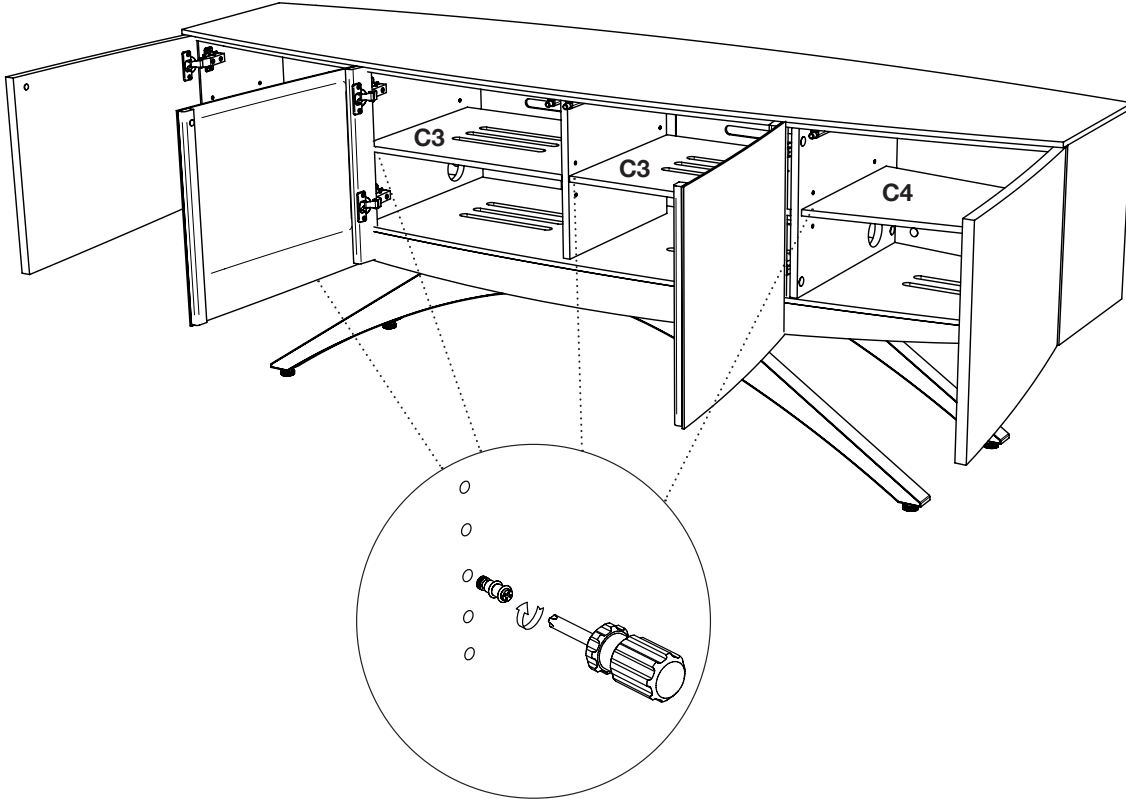
With help from another person, carefully rotate Venue onto its feet. The 2 **Back Panels C5** are removable. To remove lift up and pull the bottom edge out of its groove. To re-install, put the top edge of the back panel into the top groove, then drop the bottom edge into the bottom groove.

Venue Media Console comes with **2 KLEET Cord Wraps H3**. Remove the adhesive backing and adhere the **Cord Wraps** onto the back of the leg as shown (or on the bottom of the cabinet if preferred). Velcro straps are included under the top panel for your convenience to facilitate wire management.



Step 8 - Adjustable Shelves

Reinstall the shelves. The shelf pins located inside all 4 cabinet spaces may be repositioned using **Screwdriver T1**, allowing you to raise or lower the **shelves C3 and C4** to the desired level.



T1

Fine tuning your new BDI Venue Home Theater Furniture

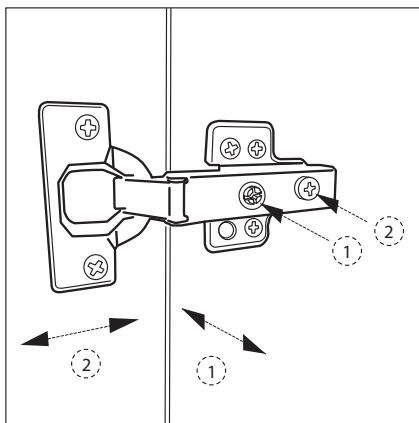
These steps are to be followed after you have unpacked and completed the simple assembly instructions for your AV cabinet. Due to jostling in freight or perhaps an uneven floor, the doors on your cabinet may not appear to be in perfect alignment. Making a few minor adjustments can rectify this situation. The high-quality European hinge hardware is adjustable. Through a little adjustment, you can modify the orientation of the cabinet doors to make sure that they are sitting perfectly on your unit.

STEP 1 - Level your unit

Levelers are integrated into each leg assembly and are accessed at the bottom of each cabinet leg. If your floor is uneven, you may extend one or more levelers to attain a level, stable cabinet placement. Turning the leveler clockwise will extend the leveler; turning it counter-clockwise will retract it.

STEP 2 - Adjust Door Hinges (if needed)

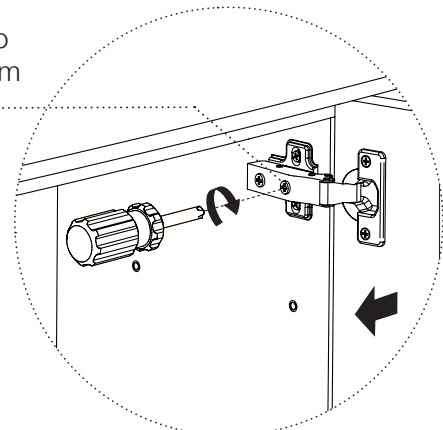
The doors on your cabinet should be evenly spaced and the doors should open and close freely without rubbing against the door frame. If the cabinet's doors appear out of alignment, this condition can be corrected with minor adjustment to the European hinges on each door. Because these hinges are adjustable, adjusting one hinge element can sometimes cause the need for adjustments to other elements. But with a few adjustments, you can modify the orientation of the cabinet doors to make sure that they hang perfectly within your cabinet.



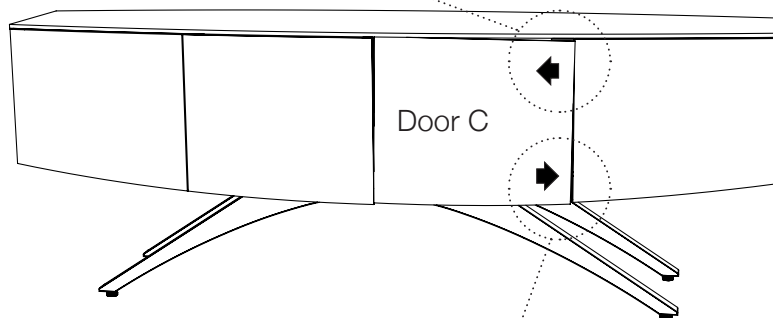
Use the **Phillips Screwdriver T1** supplied to adjust the door hinges:

- By adjusting **Screw 1**, the door will move LEFT or RIGHT within the frame. Make minor adjustments at both top and bottom hinges for best results.
- By adjusting **Screw 2** the entire door will move IN or OUT, opening or closing the gap between the door frame and cabinet. (This screw rarely needs adjustment.)

Tighten this screw to move door away from the adjacent door.



Example of a tight seam.
Top hinge on Door C
must be moved to the left.



Example of an open seam.
Bottom hinge of Door C
must be moved to the right.

Loosen this screw to move door towards the adjacent door.

