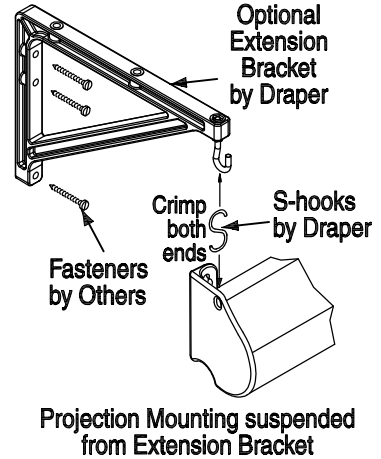
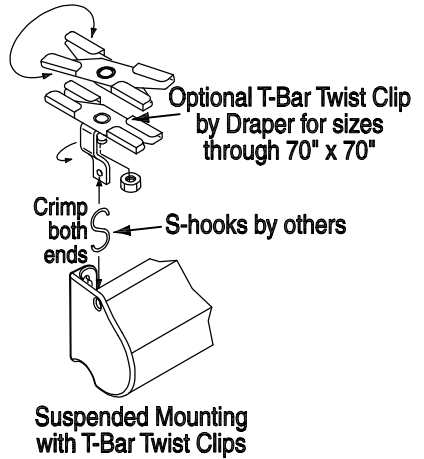
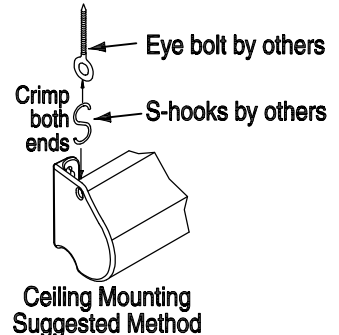
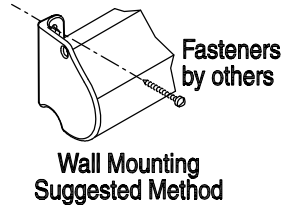


Mounting Details



Isometric Mounting Details

DRAPER		DRAPER Inc. 411 S. Pearl St. Spiceland, Indiana	
Title		Luma	
		Sheet 1 of 1	
Scale	Date	Part NO.	
1"=1'	7/10/2012		